

D

SMITH® JAY R. SMITH MFG. CO.®
 MEMBER OF MORRIS GROUP INTERNATIONAL
 POST OFFICE BOX 3237
 MONTGOMERY, ALABAMA 36109-0237 (USA)
 TEL: 334-277-8520 FAX: 334-272-7396 www.jrsmith.com



LOCATION

DRAWING NUMBER
S0824 (B)

SIZE
A

SCALE:
NONE

DATE:
9-10-85

APPROVED BY:
SJM

CHECKED BY:
JD

DRAWN BY:
JD

0824

FIGURE NUMBER

WE CAN ASSUME NO RESPONSIBILITY FOR USE OF SUPERSEDED OR VOID DATA

DIMENSIONS ARE SUBJECT TO MANUFACTURERS TOLERANCE AND CHANGE WITHOUT NOTICE

DRINKING FOUNTAIN SUPPORT

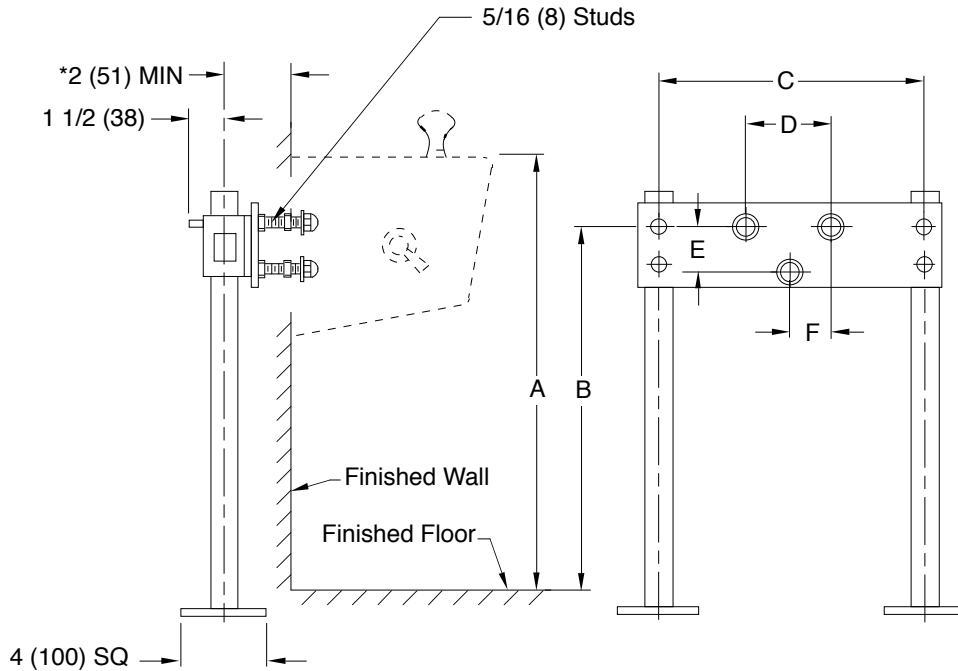
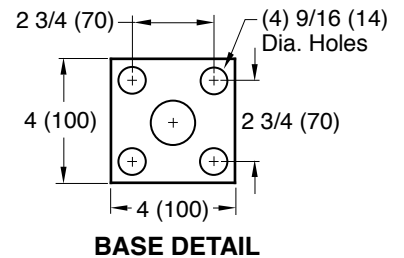


Fig. 0824 . . . FOR SMALL DRINKING FOUNTAINS WITH INTEGRAL CONCEALED HANGER

*This dimension can be increased when fixture support is to be installed behind the wall (specify when required and wall thickness).

NOTE: Dimensions shown in parentheses are in millimeters.



ROUGHING-IN TABLE

FIXTURE NAME		NUMBER		SIZE	
A	B	C	D	E	F

NOTE: The rough-in dimensions listed on this drawing are based on current information available to Jay R. Smith by the fixture manufacturers. We recommend that you verify these dimensions with the fixture manufacturer. We will not accept responsibility for rough-in dimension changes by the fixture manufacturer.

D	9-23-10	Replace Base Detail / added ®	RN	CL	WEIGHT POUNDS	VOLUME CUBIC FEET	FIGURE NUMBER 0824
C	01/19/00	Revised Base Plate	JJ	BS			
B	4-3-97	Added Millimeters	EMB	BS			
A	8-17-93	Submitted Update	EMB	BS			
REV.	DATE	DESCRIPTION	BY	CKD. BY			