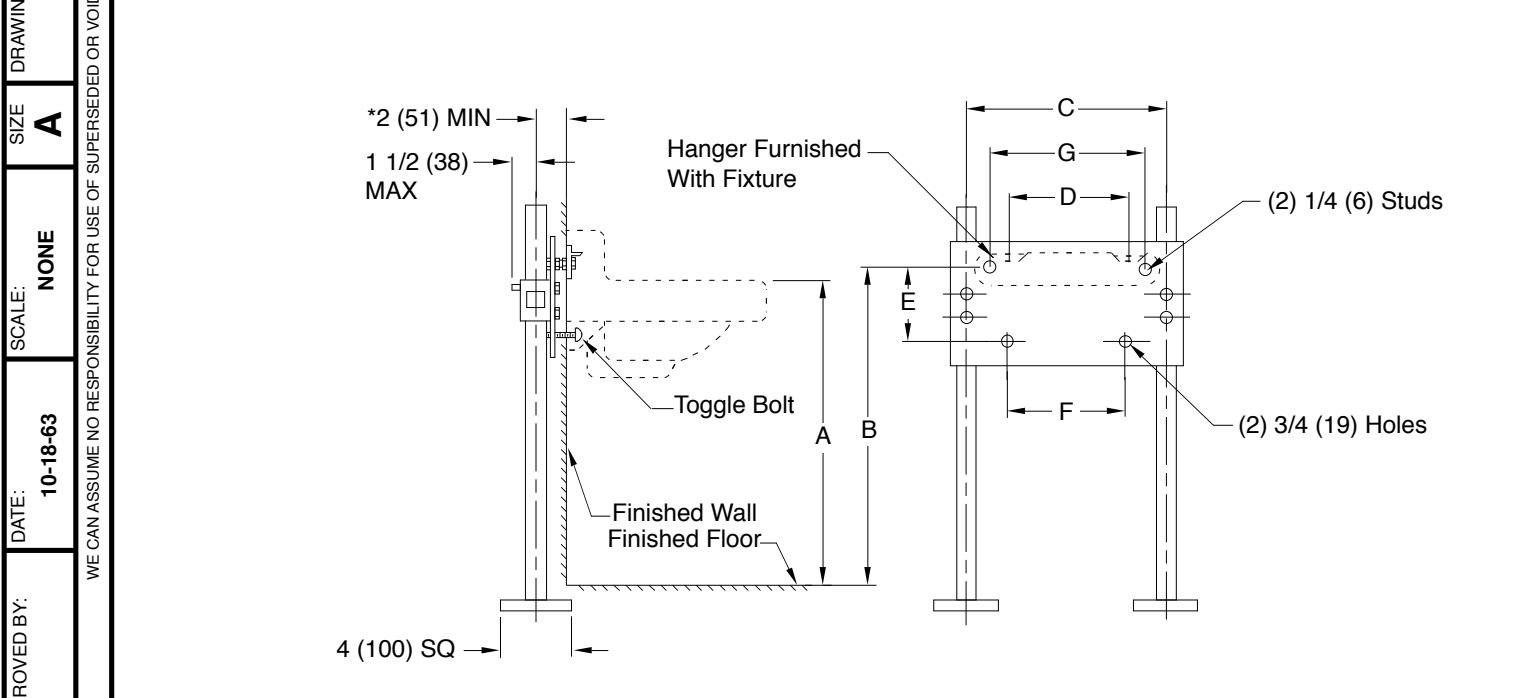
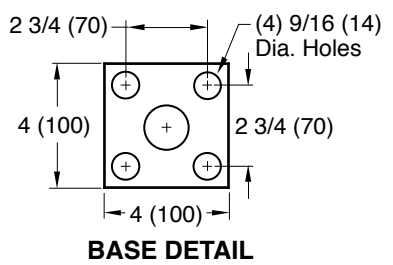


# LAVATORY SUPPORTS WITH CONCEALED HANGERS

## FLOOR MOUNTED WITH "PRO-SET" UPRIGHTS



**Fig. 0805. . . WITH PLATE AND STUDS FOR HIGH BACK LAVATORIES WITH CONCEALED WALL HANGER AND EXTENDED BOTTOM SECURING LUGS**



\*This dimension can be increased when fixture support is to be installed behind the wall (specify when required and wall thickness).

**ROUGHING-IN TABLE**

FIXTURE NAME			NUMBER			SIZE	
A	B	C	D	E	F	G	

**NOTE:** The rough-in dimensions listed on this drawing are based on current information available to Jay R. Smith by the fixture manufacturers. We recommend that you verify these dimensions with the fixture manufacturer. We will not accept responsibility for rough-in dimension changes by the fixture manufacturer.

**NOTE:** Dimensions shown in parenthesis are in millimeters.

**0805**

FIGURE NUMBER	<b>0805</b>	C B A	9-23-10 01/19/00 8-16-93	Replace Base Detail / added @ Revised Base Plate Submittal Update	RN JJ EMB	CL BS	WEIGHT POUNDS	VOLUME CUBIC FEET	FIGURE NUMBER <b>0805</b>
REV.		DATE		DESCRIPTION	BY	CKD. BY			