

E



JAY R. SMITH MFG. CO.
 MEMBER OF MORRIS GROUP INTERNATIONAL
 POST OFFICE BOX 3237
 MONTGOMERY, ALABAMA 36109-0237 (USA)
 TEL: 334-277-8520 FAX: 334-272-7396 www.jrsmith.com



MEMBER OF:

LOCATION

LABOR SAVER® LAVATORY SUPPORTS

FLOOR MOUNTED TYPE WITH CONCEALED HANGERS

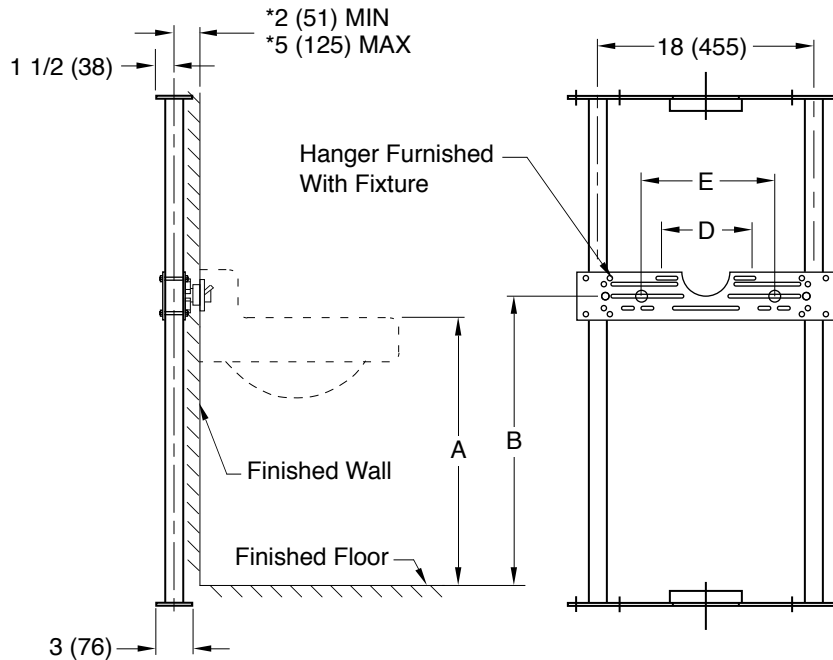
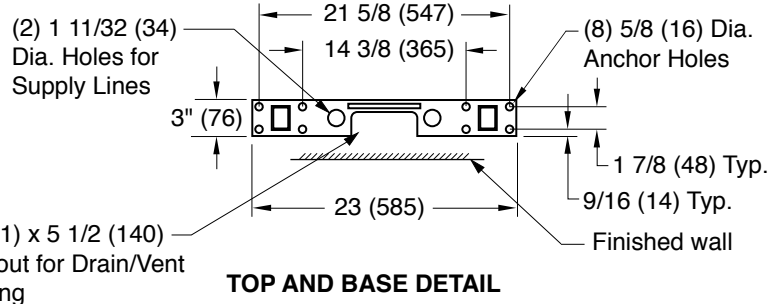


Fig. 0801 . . . FOR HIGH BACK LAVATORIES WITH CONCEALED HANGER

NOTE: *This dimension can be increased when fixture support is to be installed behind the wall (specify when required and wall thickness).

NOTE: Dimensions shown in parentheses are in millimeters.

NOTE: The rough-in dimensions listed on this drawing are based on current information available to Jay R. Smith by the fixture manufacturers. We recommend that you verify these dimensions with the fixture manufacturer. We will not accept responsibility for rough-in dimension changes by the fixture manufacturer.



ROUGH-IN TABLE

FIXTURE MFG.	NAME	NUMBER	SIZE	A	B	D	E

REV.	DATE	DESCRIPTION	BY	CKD. BY
E	01/20/11	Updated Logo	JJ	TW
D	5-5-03	Revised Table	TBW	AM
C	11/08/02	Changed per George Flegel	JJ	AM

WEIGHT
POUNDSVOLUME
CUBIC FEET

FIGURE NUMBER

0801



WARNING: Cancer and Reproductive Harm - www.P65Warnings.ca.gov

DRAWING NUMBER
S0801SIZE
ASCALE:
NONEDATE:
12/29/00APPROVED BY:
AMCHECKED BY:
CRDRAWN BY:
JJ

0801

FIGURE
NUMBER

WE CAN ASSUME NO RESPONSIBILITY FOR USE OF SUPERSEDED OR VOID DATA

DIMENSIONS ARE SUBJECT TO MANUFACTURERS TOLERANCE AND CHANGE WITHOUT NOTICE