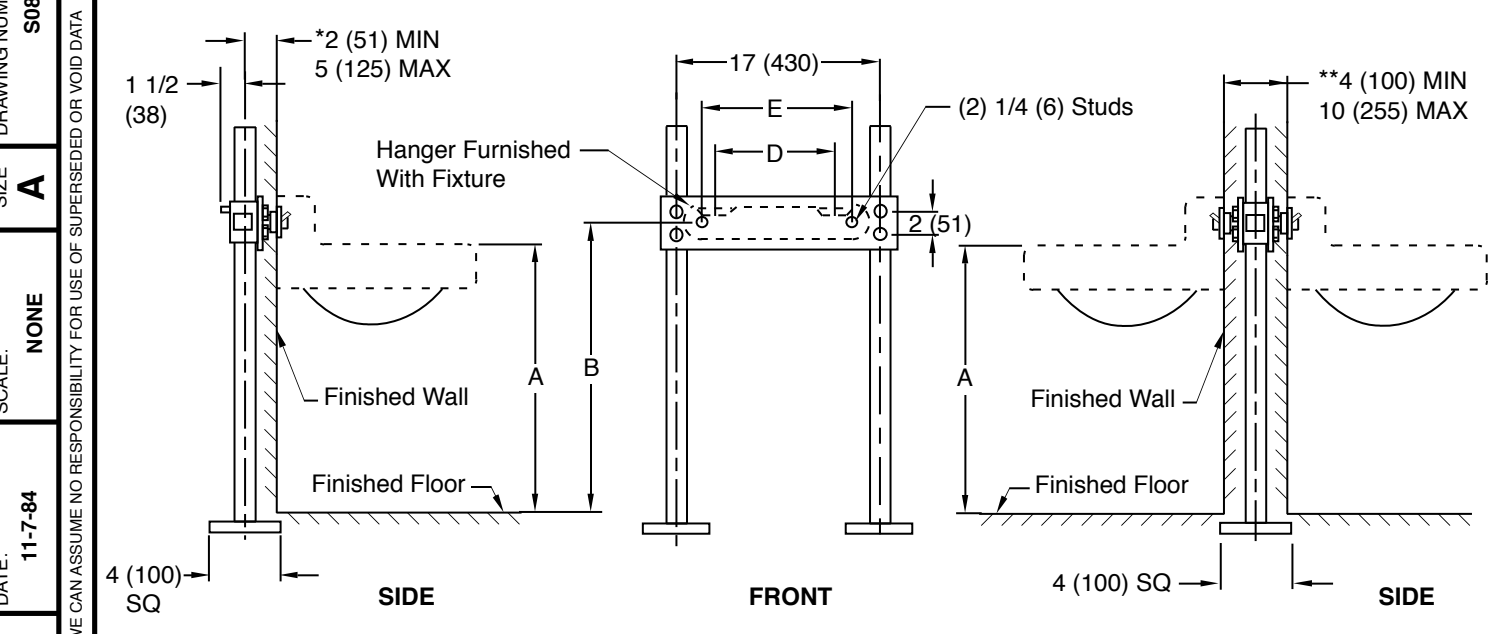


**FIXTURE SUPPORT - FLOOR MOUNTED WITH PLATE AND STUDS**



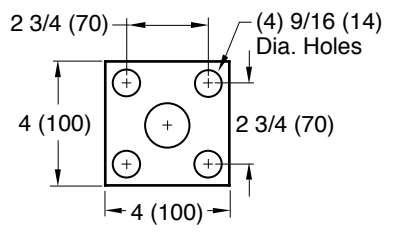
**Fig. 0800 . . . FOR HIGH BACK LAVATORIES WITH CONCEALED WALL HANGER**  
**Fig. 0800D . . . FOR HIGH BACK LAVATORIES WITH CONCEALED WALL HANGER**

\*This dimension can be increased when fixture support is to be installed behind the wall (specify when required and wall thickness).

\*\*This dimension can be increased when required (specify wall thickness)

**NOTE:** The rough-in dimensions listed on this drawing are based on current information available to Jay R. Smith by the fixture manufacturers. We recommend that you verify these dimensions with the fixture manufacturer. We will not accept responsibility for rough-in dimension changes by the fixture manufacturer.

**NOTE:** Dimensions shown in parenthesis are in millimeters.



**BASE DETAIL**

**ROUGHING-IN TABLE**

FIXTURE MFG.	NAME	NUMBER	SIZE	A	B	D	E
AM. STD.	LUCERNE	0350.496	24 x 20 (610 x 510)	31 (785)	33 3/8 (848)	8 3/4 (220)	9 5/8 (245)
AM. STD.	LUCERNE	0351.197	24 x 20 (610 x 510)	31 (785)	33 3/8 (848)	8 3/4 (220)	9 5/8 (245)
AM. STD.	LUCERNE	0356.015	20 x 18 (510 x 455)	31 (785)	32 1/8 (816)	8 3/4 (220)	9 5/8 (245)
AM. STD.	LUCERNE	0356.421	20 x 18 (510 x 455)	31 (785)	32 1/8 (816)	8 3/4 (220)	9 5/8 (245)
AM. STD.	LUCERNE	0356.439	20 x 18 (510 x 455)	31 (785)	32 1/8 (816)	8 3/4 (220)	9 5/8 (245)
CRANE	NORWICH	1-185	20 x 18 (510 x 455)	31 (785)	32 1/4 (820)	10 (255)	10 (255)
CRANE	NORWICH	1-194,5	18 x 15 (455 x 380)	31 (785)	32 1/4 (820)	10 (255)	10 (255)
CRANE	NORWICH	1-194,5, 1-206	20 x 18 (510 x 455)	31 (785)	32 1/4 (820)	10 (255)	10 (255)
CRANE	NORWICH	1-194,5	24 x 21 (610 x 535)	31 (785)	32 1/4 (820)	10 (255)	10 (255)
ELJER	DELWYN	051-1614, 1818	20 x 18 (510 x 455)	31 (785)	32 (815)	8 7/8 (225)	8 7/8 (225)
ELJER	DELWYN	051-1624, 1828	24 x 20 (610 x 510)	31 (785)	33 (840)	8 7/8 (225)	8 7/8 (255)
KOHLER	GRAMERCY	K-1607	19 x 17 (485 x 430)	31 (785)	32 1/2 (825)	8 1/4 (210)	9 1/4 (235)
KOHLER	GRAMERCY	K-1607	22 x 18 (560 x 455)	31 (785)	32 1/2 (825)	8 1/4 (210)	9 1/4 (235)
KOHLER	CHESAPEAKE	K-1746,8	19 x 17 (485 x 430)	31 (785)	29 3/4 (755)	8 1/4 (210)	9 1/4 (235)
KOHLER	CHESAPEAKE	K-1746,8	20 x 18 (510 x 455)	31 (785)	29 3/4 (755)	8 1/4 (210)	9 1/4 (235)
KOHLER	GREENWICH	K-2030,1,2,4,6	20 x 18 (510 x 455)	31 (785)	33 1/4 (845)	8 1/4 (210)	9 1/4 (235)
KOHLER	GREENWICH	K-2030,1,2,4,6	24 x 20 (610 x 510)	31 (785)	33 1/4 (845)	8 1/4 (210)	9 1/4 (235)

DRAWING NUMBER: S0800, 0800D

SIZE: A

SCALE: NONE

DATE: 11-7-84

APPROVED BY: JD

CHECKED BY: JD

DRAWN BY: VGD

FIGURE NUMBER: 0800, 0800D

WE CAN ASSUME NO RESPONSIBILITY FOR USE OF SUPERSEDED OR VOID DATA

DIMENSIONS ARE SUBJECT TO MANUFACTURERS TOLERANCE AND CHANGE WITHOUT NOTICE

C	5-1-15	Revised Table Replace Base Detail / added ® Submittal Update	TBW	TWK	WEIGHT POUNDS	VOLUME CUBIC FEET	FIGURE NUMBER <b>0800, 0800D</b>
B	9-23-10		RN	CL			
A	11-15-94		EMB	BS			
REV.	DATE	DESCRIPTION	BY	CKD. BY			

**WARNING:** Cancer and Reproductive Harm - www.P65Warnings.ca.gov

L



MEMBER OF:

LOCATION

DRAWING NUMBER  
S0636SIZE  
ASCALE:  
NONEDATE:  
11-7-84APPROVED BY:  
JDCHECKED BY:  
JDDRAWN BY:  
VGD

0636

FIGURE  
NUMBER

WE CAN ASSUME NO RESPONSIBILITY FOR USE OF SUPERSEDED OR VOID DATA

DIMENSIONS ARE SUBJECT TO MANUFACTURERS TOLERANCE AND CHANGE WITHOUT NOTICE

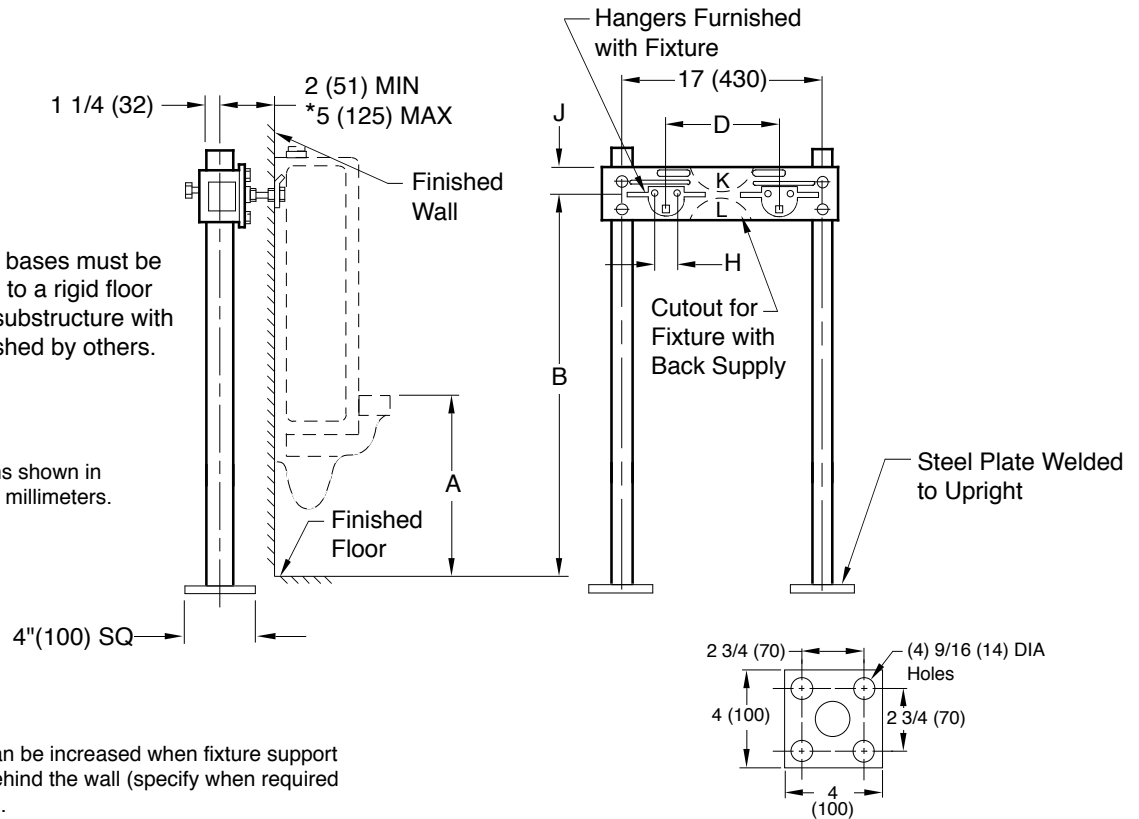
# URINAL SUPPORTS FOR OFF-THE-FLOOR URINALS

## WITH HANGER PLATE FOR BLOWOUT AND WASHOUT URINALS WITH WALL HANGERS

**NOTE:** All support bases must be securely anchored to a rigid floor and/or other rigid substructure with (4) 1/2" bolts furnished by others.

**NOTE:** Dimensions shown in parentheses are in millimeters.

\*This dimension can be increased when fixture support is to be installed behind the wall (specify when required and wall thickness).



ROUGH-IN TABLE

FIXTURE MFG.	NAME	NUMBER	A	B	D	H	J	K	L
Am. Std.	Washbrook	6501.010	24 (610)	39 (990)	13 1/2 (345)	1 3/16 (30)	2 (51)	X	-
Am. Std.	Washbrook	6506.011	24 (610)	39 (990)	13 1/2 (345)	1 3/16 (30)	2 (51)	X	-
Am. Std.	Lynbrook	6538.010	24 (610)	40 (1015)	13 1/2 (345)	1 3/16 (30)	1 (25)	X	-
Am. Std.	Lynbrook	6531.019	24 (610)	40 (1015)	13 1/2 (345)	1 3/16 (30)	1 (25)	X	-
Am. Std.	Trimbrook	6560.015	24 (610)	37 5/8 (955)	11 (280)	1 3/16 (30)	1 (25)	X	-
Am. Std.	Trimbrook	6560.023	24 (610)	37 5/8 (955)	11 (280)	1 3/16 (30)	1 (25)	X	-
Am. Std.	Trimbrook	6565.014	24 (610)	37 5/8 (955)	11 (280)	1 3/16 (30)	1 (25)	X	-
Am. Std.	Trimbrook	6565.022	24 (610)	37 5/8 (955)	11 (280)	1 3/16 (30)	1 (25)	X	-
Eljer	Correcto	161-1030,45	24 (610)	39 3/8 (1000)	12 (305)	1 (25)	1 (25)	X	-
Eljer	Correcto	161-1060, 75	24 (610)	39 3/8 (1000)	12 (305)	1 (25)	1 (25)	X	-
Eljer	Terminal	161-1100, 3	25 1/2 (650)	33 7/8 (860)	9 1/2 (240)	1 (25)	1 (25)	X	-
Eljer	Dover	161-1160, 75	24 (610)	32 3/8 (822)	6 (150)	1 (25)	1 (25)	X	-
Kohler	Stanwell	K-4970-T,R	24 (610)	40 (1015)	12 (305)	1 (25)	1 (25)	X	-
Kohler	Stanwell	K-4972-T,R	24 (610)	40 (1015)	12 (305)	1 (25)	1 (25)	X	-
Kohler	Bardon	K-4980-T,R	24 (610)	40 1/2 (1030)	12 (305)	1 (25)	1 (25)	X	-
Kohler	Freshman	K-4985-T,R	24 (610)	35 7/16 (900)	10 (255)	1 (25)	2 (51)	-	-
Kohler	Derry	K-5007-T,R	24 (610)	29 1/2 (750)	6 (150)	1 (25)	3 1/2 (89)	-	X
Kohler	Dexter	K-5014-T,R	24 (610)	32 1/8 (816)	6 1/2 (165)	1 (25)	1 (25)	X	-
Sloan	Universal	SU-1009	24 (610)	36 5/8 (904)	12 (305)	-	2 (51)	X	-

BASE DETAIL

For Lavatory Use See Opposite Side

REV.	DATE	DESCRIPTION	BY	CKD. BY	WEIGHT POUNDS	VOLUME CUBIC FEET	FIGURE NUMBER
L	4-16-14	Revised Table Rev. Dim., Base Plate Added Note	TBW	TWK			0636
K	2-23-12		TBW	TWK			
J	04/22/09		JJ	AM			