

LAVATORY SUPPORTS WITH EXPOSED ARMS

WALL MOUNTED WITH ACID RESISTANT COATED EXPOSED ARMS

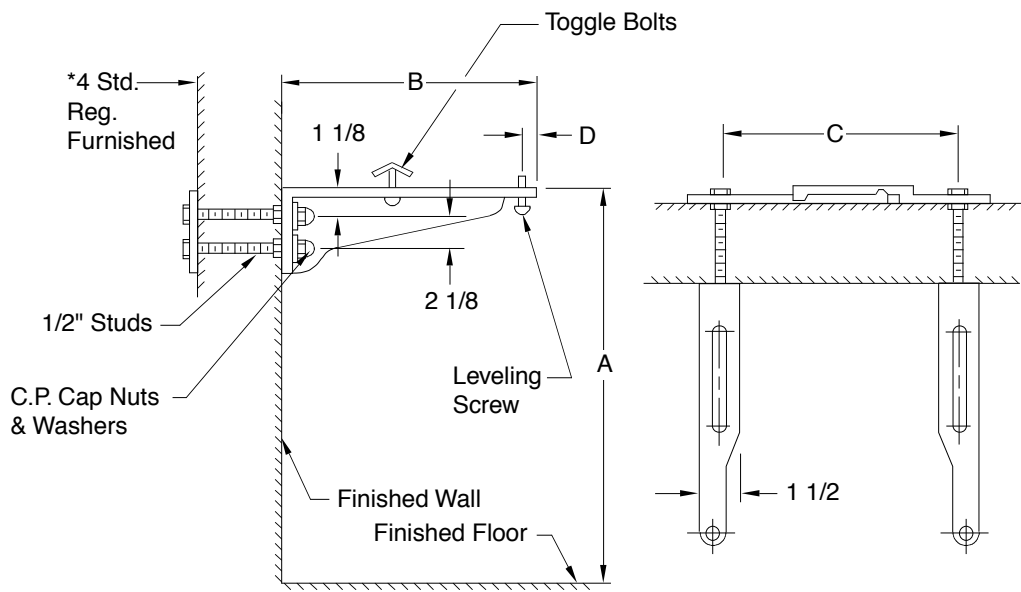


Fig. 0780 . . . FOR FLAT SLAB AND HIGH BACK LAVATORIES SET ON BLOCK WALL

*This dimension can be increased when required (specify wall thickness).

ROUGHING-IN TABLE

FIXTURE MFG.	NAME	NUMBER	SIZE	A	B	C	D
AM. STD.	ROXALYN	0194.076	20 x 18	27 5/8	15	16 1/2	1/2
AM. STD.	ROXALYN	0194.134	24 x 20	27 1/4	18 1/2	18 1/2	1/2
AM. STD.	ROXALYN	0195.073	20 x 18	27 5/8	15	16 1/2	1/2
AM. STD.	ROXALYN	0195.289	24 x 20	27 1/4	18 1/2	18 1/2	1/2
CRANE	NORWICH	1-165	20 x 18	27 5/8	15	16 1/4	1/2
CRANE	NORWICH	1-165	24 x 21	27 1/2	18 1/2	19 1/2	1/2
ELJER	MAYBURNE	051-2344, 2548	20 x 18	27	15	17 1/4	1/2
ELJER	MAYBURNE	051-2354, 2558	24 x 20	27	18 1/2	19 3/8	1/2
KOHLER	JAMESTOWN	K-2053, 4, 5, 6	20 x 18	27 1/4	15	16 1/2	1 1/2
KOHLER	JAMESTOWN	K-2053, 4, 5, 6	24 x 20	27 1/4	18 1/2	19	1 1/2
U. RUNDLE	NEW CAMPUS	4698, 9	20 x 18	28	15	16	1/2

NOTE: The rough-in dimensions listed on this drawing are based on current information available to Jay R. Smith by the fixture manufacturers. We recommend that you verify these dimensions with the fixture manufacturer. We will not accept responsibility for rough-in dimension changes by the fixture manufacturer.

DRAWING NUMBER: S0780
 SIZE: A
 SCALE: NONE
 DATE: 1-31-75
 APPROVED BY:
 CHECKED BY: RS
 DRAWN BY: RAS
 FIGURE NUMBER: 0780
 DIMENSIONS ARE SUBJECT TO MANUFACTURERS TOLERANCE AND CHANGE WITHOUT NOTICE
 WE CAN ASSUME NO RESPONSIBILITY FOR USE OF SUPERSEDED OR VOID DATA

E	9-26-94	Submittal Update	EMB	BS	WEIGHT POUNDS	VOLUME CUBIC FEET	FIGURE NUMBER
REV.	DATE	DESCRIPTION	BY	CKD. BY			0780