

E

SMITH® JAY R. SMITH MFG. CO.®
 MEMBER OF MORRIS GROUP INTERNATIONAL
 POST OFFICE BOX 3237
 MONTGOMERY, ALABAMA 36109-0237 (USA)
 TEL: 334-277-8520 FAX: 334-272-7396 www.jrsmith.com



LOCATION

LABOR SAVER® LAVATORY SUPPORTS

FLOOR MOUNTED TYPE WITH EXPOSED ARMS

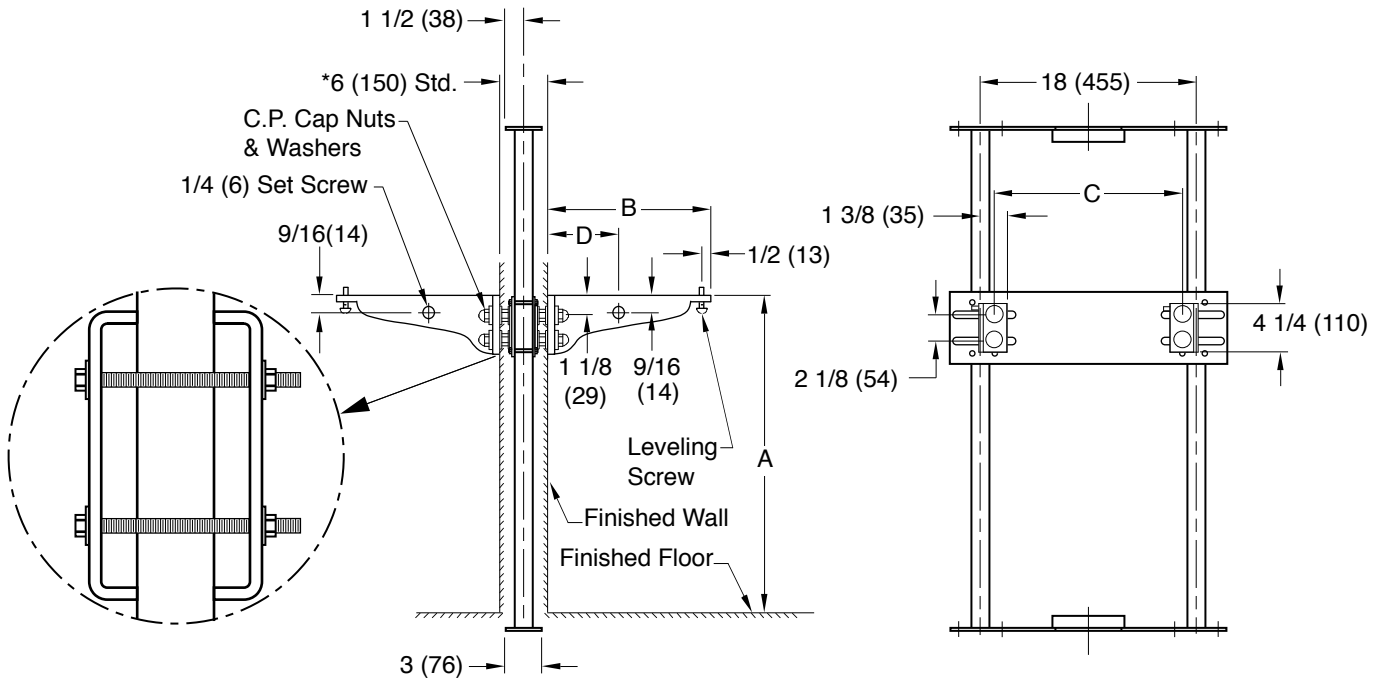
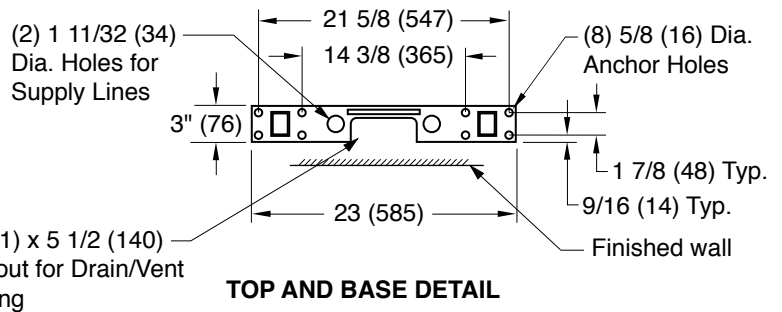


Fig. 0762D . . . FOR BACK TO BACK SUPPORT

NOTE: The rough-in dimensions listed on this drawing are based on current information available to Jay R. Smith by the fixture manufacturers. We recommend that you verify these dimensions with the fixture manufacturer. We will not accept responsibility for rough-in dimension changes by the fixture manufacturer.

NOTE: *This dimension can be increased when required (Specify wall thickness).

NOTE: Dimensions shown in parenthesis are in millimeters.



ROUGH-IN TABLE

FIXTURE MFG.	NAME	NUMBER	SIZE	A	B	C	D

DRAWING NUMBER
S0762D

SIZE
A

SCALE:
NONE

DATE:
07/22/02

APPROVED BY:
AM

CHECKED BY:
CR

DRAWN BY:
JJ

0762D

WE CAN ASSUME NO RESPONSIBILITY FOR USE OF SUPERSEDED OR VOID DATA

DIMENSIONS ARE SUBJECT TO MANUFACTURERS TOLERANCE AND CHANGE WITHOUT NOTICE

REV.	DATE	DESCRIPTION	BY	CKD. BY
E	01/20/11	Updated Logo	JJ	TW
D	9-27-10	Added ® to LABOR SAVER & logo	RN	CL
C	11/08/02	Changed per George Flegel	JJ	AM

WEIGHT POUNDS	VOLUME CUBIC FEET	FIGURE NUMBER 0762D
------------------	----------------------	-------------------------------