

D

SMITH® JAY R. SMITH MFG. CO.®
 MEMBER OF MORRIS GROUP INTERNATIONAL
 POST OFFICE BOX 3237
 MONTGOMERY, ALABAMA 36109-0237 (USA)
 TEL: 334-277-8520 FAX: 334-272-7396 www.jrsmith.com



LOCATION

DRAWING NUMBER
S0762 (-M30) (B)

SIZE
A

SCALE:
NONE

DATE:
07/12/01

APPROVED BY:
AM

CHECKED BY:
CR

DRAWN BY:
JJ

0762 (-M30)

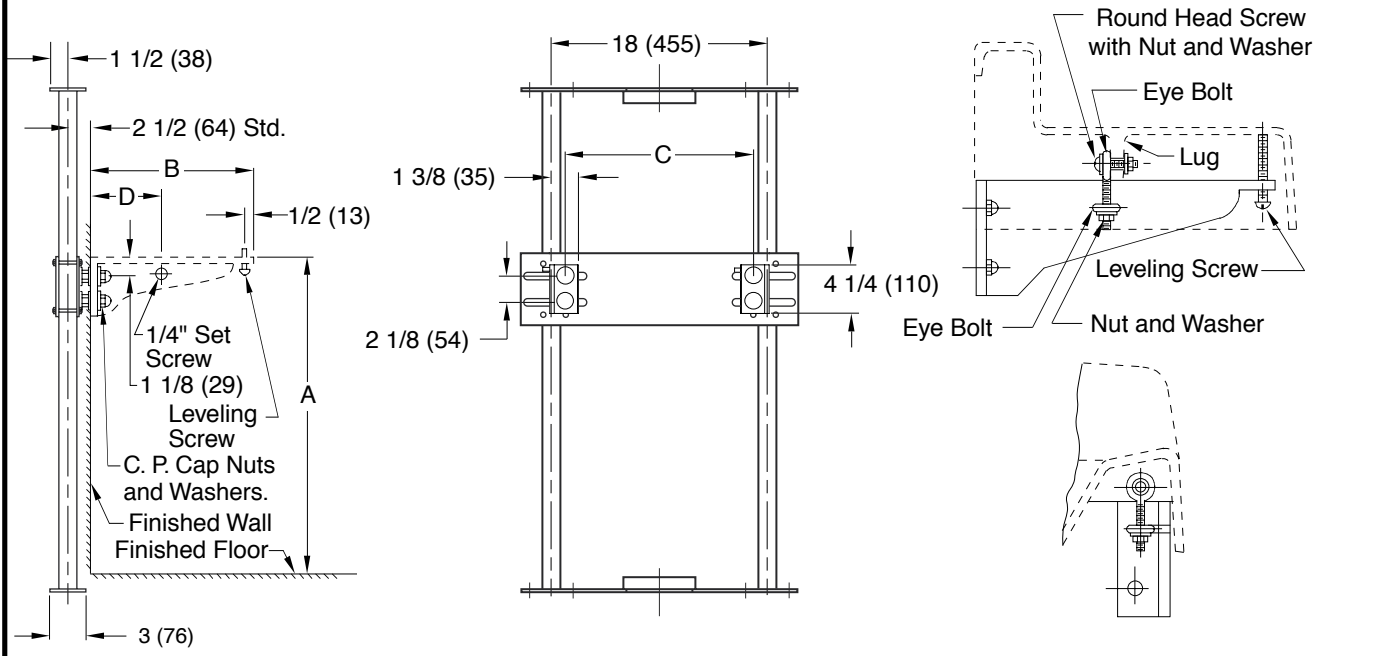
DIMENSIONS ARE SUBJECT TO MANUFACTURERS TOLERANCE AND CHANGE WITHOUT NOTICE

WE CAN ASSUME NO RESPONSIBILITY FOR USE OF SUPERSEDED OR VOID DATA

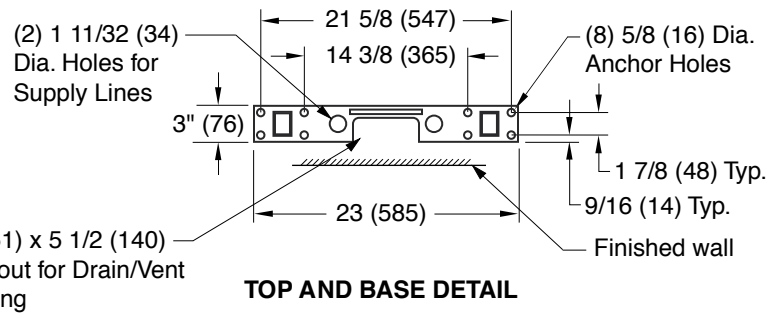
LABOR SAVER® LAVATORY SUPPORTS

WITH PORCELAIN ENAMELED OFFSET ARMS

FOR HIGH BACK ENAMELED IRON LAVATORIES WITH LUG UNDER RIM



NOTE: The rough-in dimensions listed on this drawing are based on current information available to Jay R. Smith by the fixture manufacturers. We recommend that you verify these dimensions with the fixture manufacturer. We will not accept responsibility for rough-in dimension changes by the fixture manufacturer.



- (-M30) Finished Trim to be Furnished with Each Support**
- (4) 1/4" Eye Bolts x 2 1/2" Long
 - (2) 1/4" x 1 1/2 Round Head Screws
 - (4) 1/4 Nuts
 - (6) 1/4 Washers
 - (2) 1/4 x 2 1/2 Long Round Head Screws

NOTE: Dimensions shown in parentheses are in millimeters.

NOTE: *This dimension includes a wall thickness of 1/2". For greater wall thickness, specify centerline of upright to finished wall dimension.

ROUGH-IN TABLE

FIXTURE MFG.	NAME	NUMBER	SIZE	A	B	C	D

REV.	DATE	DESCRIPTION	BY	CKD. BY	WEIGHT POUNDS	VOLUME CUBIC FEET	FIGURE NUMBER 0762 (-M30)
D	9-27-10	Added ® to LABOR SAVER & logo	RN	CL			
C	12/09/02	Revised per George Flegel	JJ	AM			
B	12/19/01	Changed Hole Size in Base	JJ	AM			
A	11/06/01	Inside wall (washer/nut/washer)	JJ	AM			