

LABOR SAVER® LAVATORY SUPPORTS WITH ENAMELED EXPOSED ARMS FOR HIGH BACK LAVATORIES WITH EXTENDED LUGS

FLOOR MOUNTED UPRIGHTS

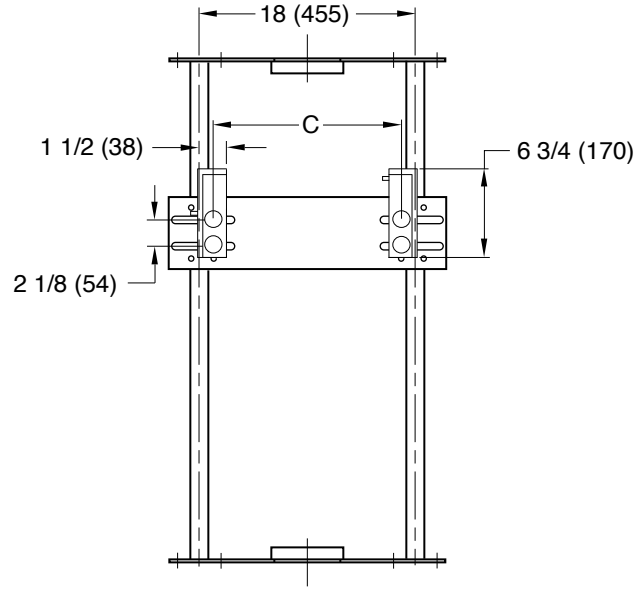
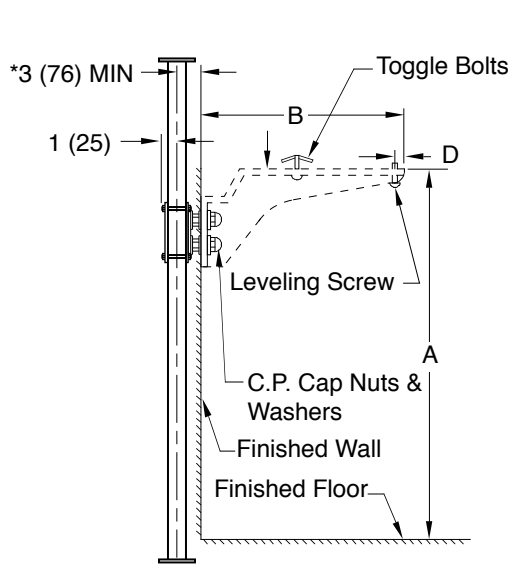
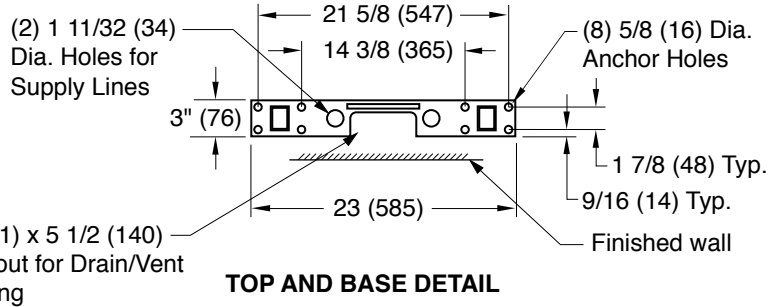


Fig. 0761. . . . WITH ACID RESISTANT COATED EXPOSED ARMS FOR FLAT SLAB AND HIGH BACK LAVATORIES

NOTE: The rough-in dimensions listed on this drawing are based on current information available to Jay R. Smith by the fixture manufacturers. We recommend that you verify these dimensions with the fixture manufacturer. We will not accept responsibility for rough-in dimension changes by the fixture manufacturer.

NOTE: *This dimension includes a wall thickness of 1/2". For greater wall thickness, specify centerline of upright to finished wall dimension.

NOTE: Dimensions shown in parenthesis are in millimeters.



ROUGH-IN TABLE

FIXTURE MFG.	NAME	NUMBER	SIZE	A	B	C	D

DRAWING NUMBER **S0761**
 SIZE **A**
 SCALE: **NONE**
 DATE: **04/09/01**
 APPROVED BY: **AM**
 CHECKED BY: **CR**
 DRAWN BY: **JJ**
0761
 DIMENSIONS ARE SUBJECT TO MANUFACTURERS TOLERANCE AND CHANGE WITHOUT NOTICE

WE CAN ASSUME NO RESPONSIBILITY FOR USE OF SUPERSEDED OR VOID DATA

REV.	DATE	DESCRIPTION	BY	CKD. BY	WEIGHT POUNDS	VOLUME CUBIC FEET	FIGURE NUMBER 0761