

LAVATORY SUPPORTS WITH EXPOSED ARMS

FLOOR MOUNTED WITH "PRO-SET" UPRIGHTS

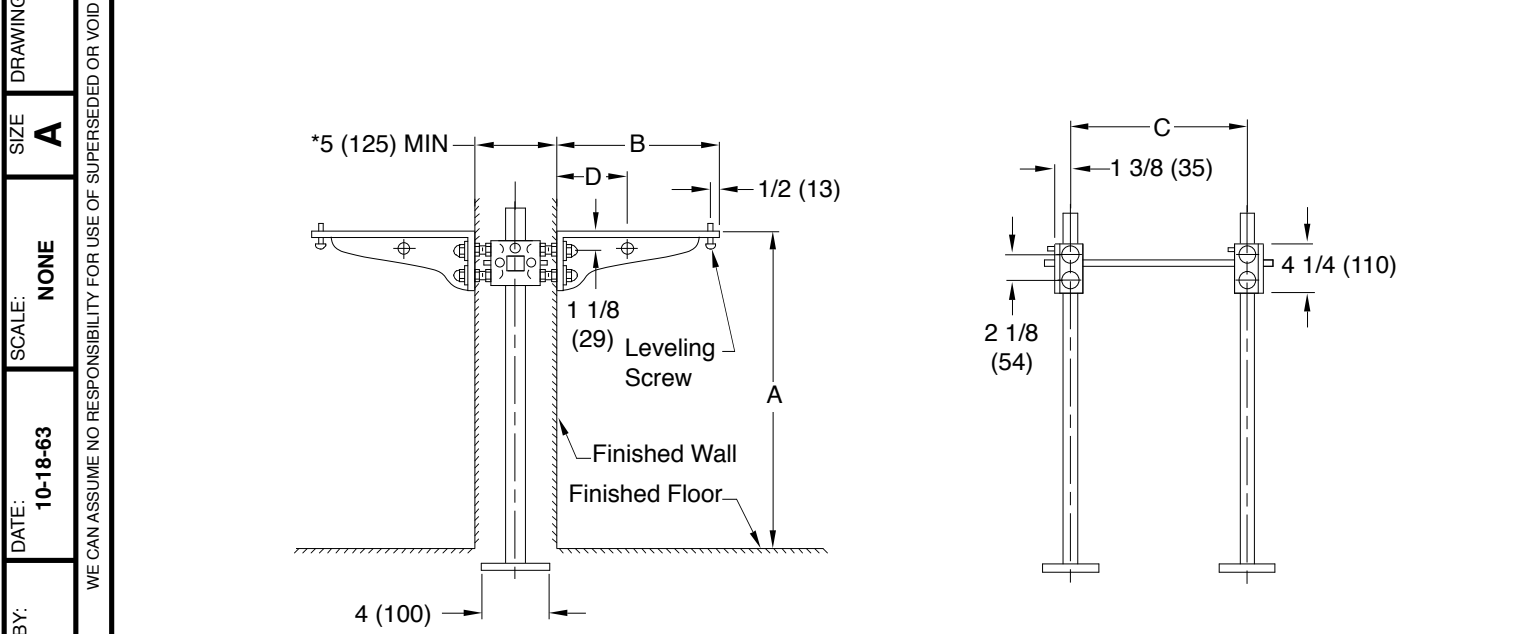
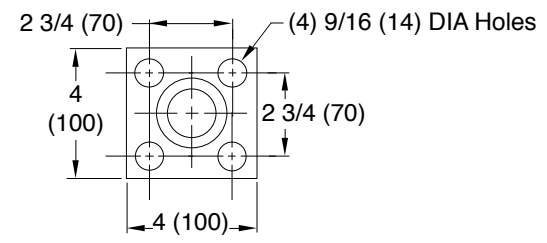


Fig. 0752D . . . WITH OFFSET ARMS FOR HIGH BACK TO BACK ENAMELED IRON LAVATORIES

*This dimension can be increased when fixture support is to be installed behind the wall (specify when required and wall thickness).

NOTE: For metal stud wall construction, specify Suffix -M31 rectangular steel upright with welded bases for greater strength.

NOTE: Dimensions shown in parentheses are in millimeters.



BASE DETAIL

ROUGHING-IN TABLE

FIXTURE NAME	NUMBER	SIZE	A	B	C	D

NOTE: The rough-in dimensions listed on this drawing are based on current information available to Jay R. Smith by the fixture manufacturers. We recommend that you verify these dimensions with the fixture manufacturer. We will not accept responsibility for rough-in dimension changes by the fixture manufacturer.

0752D	DRAWN BY: SL	CHECKED BY: RP	APPROVED BY:	DATE: 10-18-63	SCALE: NONE	SIZE A	DRAWING NUMBER S0752D (B)	
	D C B A	10-9-13 4-2-97 3-21-94 8-10-93	Revised Base Plate Added Millimeters Added Dim Submittal Update	TBW EMB EMB	CL BS BS	WEIGHT POUNDS	VOLUME CUBIC FEET	FIGURE NUMBER 0752D
	REV.	DATE	DESCRIPTION	BY	CKD. BY			