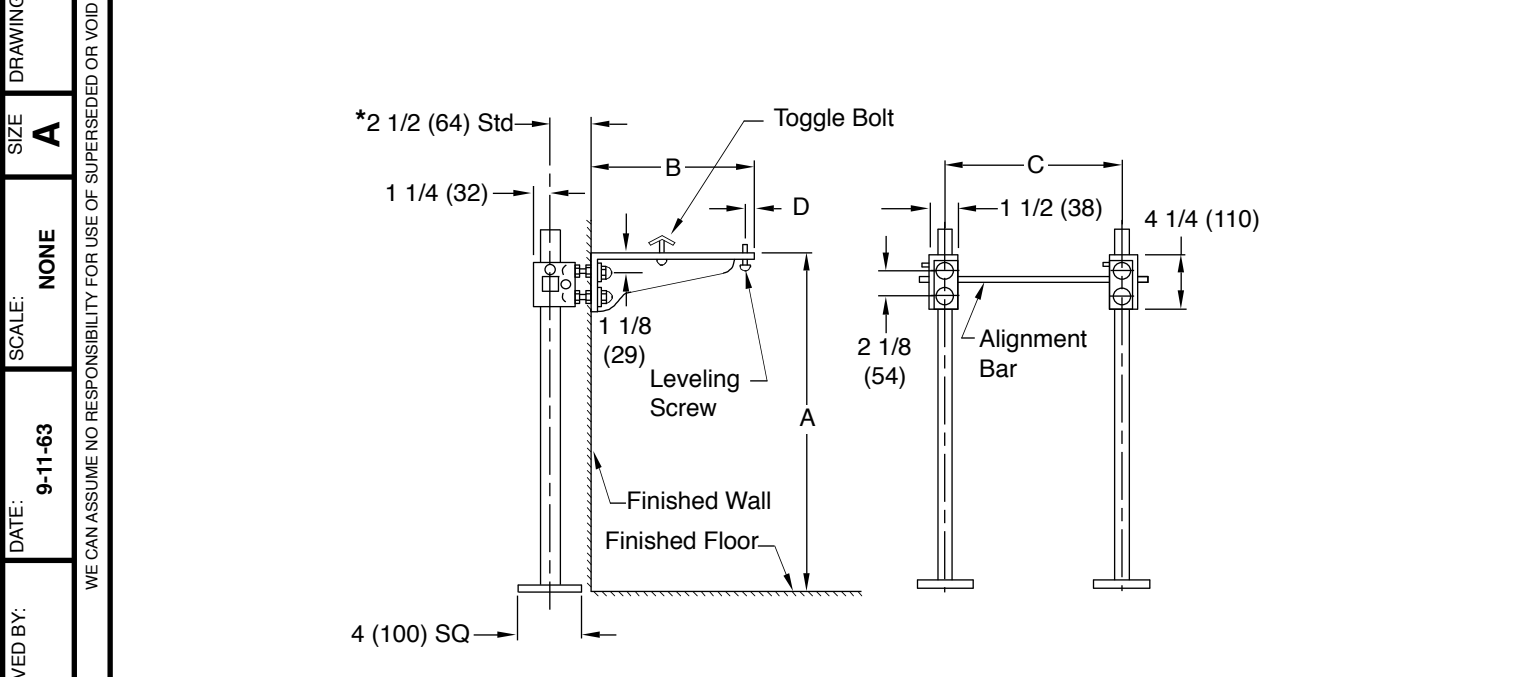


**LAVATORY SUPPORTS WITH EXPOSED ARMS**

**FLOOR MOUNTED WITH "PRO-SET" UPRIGHTS**

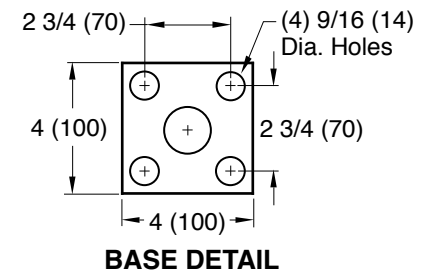


**Fig. 0750 . . . WITH ACID RESISTANT COATED EXPOSED ARMS FOR FLAT SLAB AND HIGH BACK LAVATORIES**

\*This dimension can be increased when fixture support is to be installed behind the wall (specify when required and wall thickness).

**NOTE:** For metal stud wall construction, specify Suffix -M31 rectangular steel upright with welded base for greater strength.

**NOTE:** Dimensions shown in parentheses are in millimeters.



**ROUGHING-IN TABLE**

FIXTURE NAME	NUMBER	SIZE	A	B	C	D

**NOTE:** The rough-in dimensions listed on this drawing are based on current information available to Jay R. Smith by the fixture manufacturers. We recommend that you verify these dimensions with the fixture manufacturer. We will not accept responsibility for rough-in dimension changes by the fixture manufacturer.

**0750** DIMENSIONS ARE SUBJECT TO MANUFACTURERS TOLERANCE AND CHANGE WITHOUT NOTICE

FIGURE NUMBER	F E D C	10-9-13 01/18/00 6-12-95 8-10-93	Revised Base Plate Revised Base Plate Added Millimeters Submission Update	TBW JJ EMB EMB	CL BS BS BS	WEIGHT POUNDS	VOLUME CUBIC FEET	FIGURE NUMBER <b>0750</b>
REV.	DATE	DESCRIPTION	BY	CKD. BY				