

F

SMITH® JAY R. SMITH MFG. CO.®
 MEMBER OF MORRIS GROUP INTERNATIONAL
 POST OFFICE BOX 3237
 MONTGOMERY, ALABAMA 36109-0237 (USA)
 TEL: 334-277-8520 FAX: 334-272-7396 www.jrsmith.com



LOCATION

LAVATORY SUPPORTS WITH CONCEALED ARMS

WALL MOUNTED

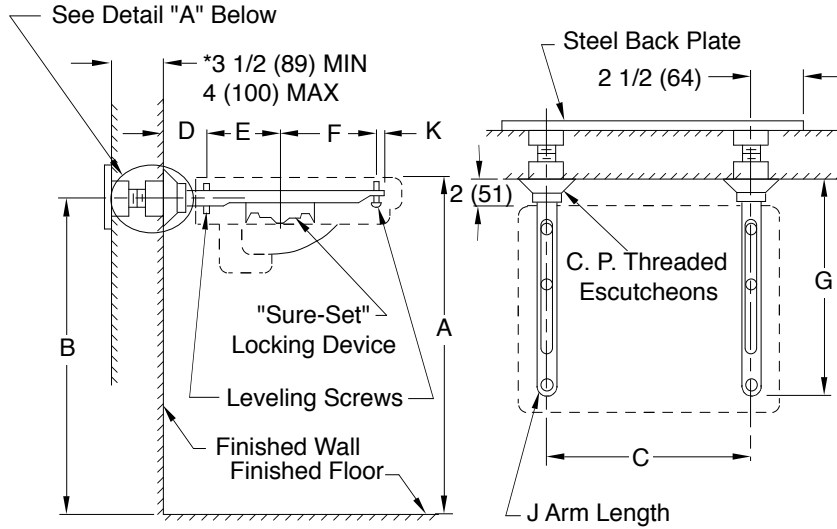
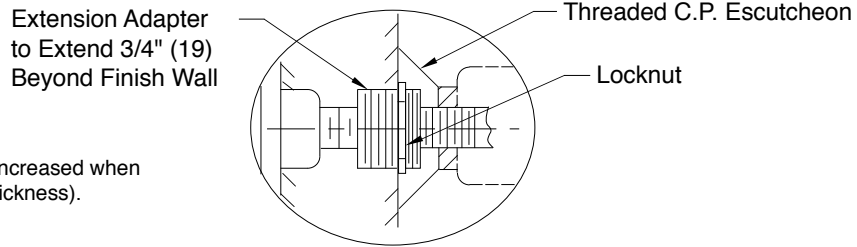


Fig. 0728 (-E) . . . FOR FLAT SLAB LAVATORIES SET ON STEEL PLATE SECURED TO BLOCK WALL



*This dimension can be increased when required. (Specify wall thickness).

DETAIL "A"

NOTE: Dimensions shown in parentheses are in millimeters.

ROUGHING-IN TABLE

FIXTURE NAME				NUMBER			SIZE		
A	B	C	D	E	F	G	J	K	

NOTE: The rough-in dimensions listed on this drawing are based on current information available to Jay R. Smith by the fixture manufacturers. We recommend that you verify these dimensions with the fixture manufacturer. We will not accept responsibility for rough-in dimension changes by the fixture manufacturer.

DRAWING NUMBER
S0728 (-E) (B)

SIZE
A

SCALE:
NONE

DATE:
12-26-74

APPROVED BY:

CHECKED BY:
RS

DRAWN BY:
RAS

0728 (-E)

WE CAN ASSUME NO RESPONSIBILITY FOR USE OF SUPERSEDED OR VOID DATA

DIMENSIONS ARE SUBJECT TO MANUFACTURERS TOLERANCE AND CHANGE WITHOUT NOTICE

F	4-2-97	Added Millimeters	EMB	BS
E	8-10-93	Submittal Update	EMB	BS
REV.	DATE	DESCRIPTION	BY	CKD. BY

WEIGHT POUNDS	VOLUME CUBIC FEET	FIGURE NUMBER 0728 (-E)
------------------	----------------------	--