

C

SMITH® JAY R. SMITH MFG. CO.®
 MEMBER OF MORRIS GROUP INTERNATIONAL
 POST OFFICE BOX 3237
 MONTGOMERY, ALABAMA 36109-0237 (USA)
 TEL: 334-277-8520 FAX: 334-272-7396 www.jrsmith.com



LOCATION

LAVATORY SUPPORTS WITH CONCEALED ARMS

WALL MOUNTED

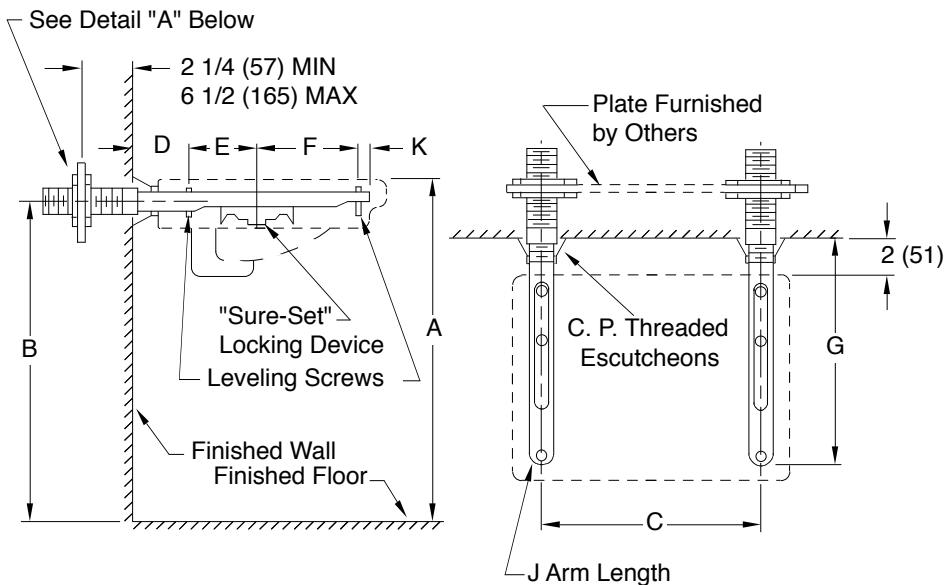
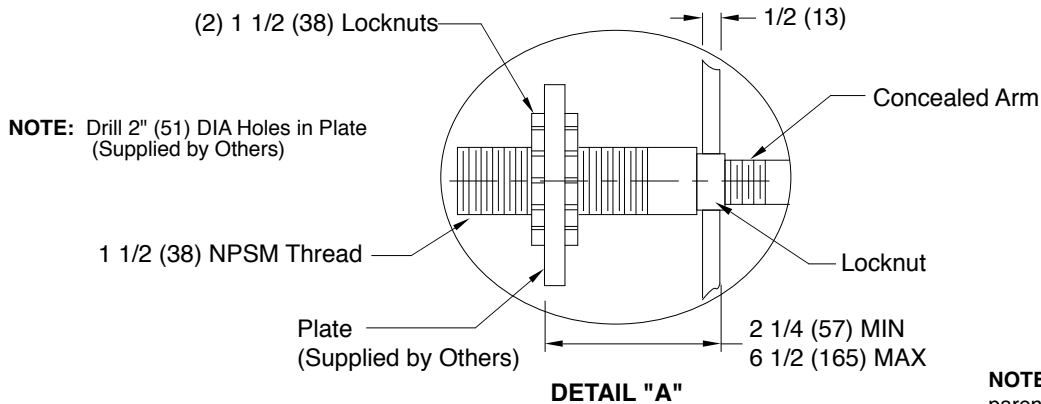


Fig. 0727(-E) . . . FOR FLAT SLAB LAVATORIES USING ADJUSTABLE EXTENSION



NOTE: Drill 2" (51) DIA Holes in Plate (Supplied by Others)

NOTE: Dimensions shown in parentheses are in millimeters.

ROUGHING-IN TABLE

FIXTURE NAME			NUMBER				SIZE		
A	B	C	D	E	F	G	J	K	

NOTE: The rough-in dimensions listed on this drawing are based on current information available to Jay R. Smith by the fixture manufacturers. We recommend that you verify these dimensions with the fixture manufacturer. We will not accept responsibility for rough-in dimension changes by the fixture manufacturer.

DRAWING NUMBER
S0727 (-E) (B)

SIZE
A

SCALE:
NONE

DATE:
4-3-80

APPROVED BY:

CHECKED BY:
TD

DRAWN BY:
CR

0727 (-E)

FIGURE NUMBER

REV.	DATE	DESCRIPTION	BY	CKD. BY
C	4-2-97	Added Millimeters	EMB	BS
B	6-22-94	Revised	EMB	BS
A	8-10-93	Submital Update	EMB	BS

WEIGHT POUNDS
VOLUME CUBIC FEET

FIGURE NUMBER
0727 (-E)

WE CAN ASSUME NO RESPONSIBILITY FOR USE OF SUPERSEDED OR VOID DATA

DIMENSIONS ARE SUBJECT TO MANUFACTURERS TOLERANCE AND CHANGE WITHOUT NOTICE