

LAVATORY SUPPORTS WITH CONCEALED ARMS

WALL MOUNTED

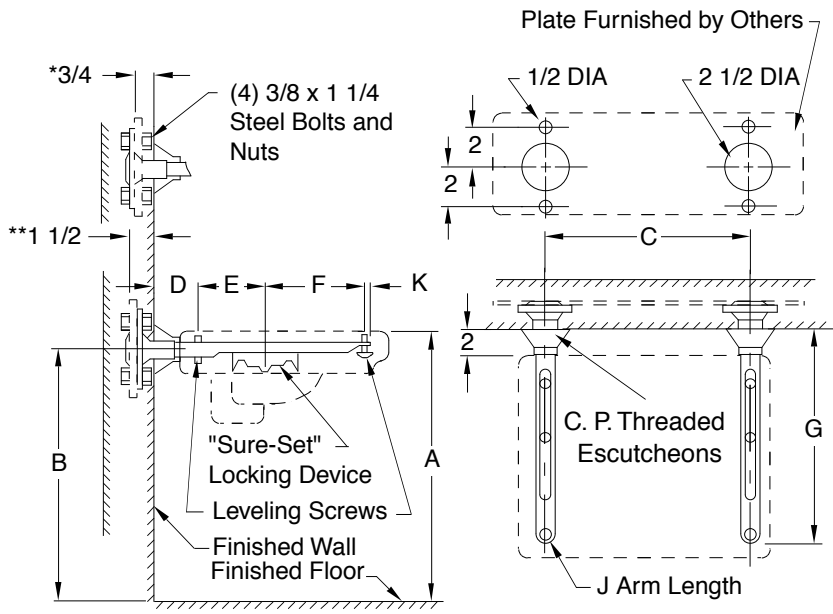


Fig. 0723 (-E) . . . FOR HIGH BACK LAVATORIES TO ATTACH TO BACKING PLATE SECURED IN WALL

* Arm support bracket shown bolted in back of wall plate for plaster wall construction.
 **Arm support bracket shown bolted in front of wall plate for tile wall construction.

ROUGHING-IN TABLE

| FIXTURE MFG. | NAME | NUMBER | SIZE | A | B | C | D | E | F | G | J | K |
|--------------|------------|-----------------|---------|----|--------|--------|---|-------|-------|--------|----|-------|
| AM. STD. | ROXALYN | 0194.076 | 20 x 18 | 31 | 29 1/4 | 16 1/2 | 4 | 7 | 7 | 18 1/2 | 20 | 1/2 |
| AM. STD. | ROXALYN | 0194.134 | 24 x 20 | 31 | 29 1/4 | 20 | 4 | 7 | 7 | 18 1/2 | 20 | 1/2 |
| AM. STD. | ROXALYN | 0195.073 | 20 x 18 | 31 | 29 1/4 | 16 1/2 | 4 | 7 | 7 | 18 1/2 | 20 | 1/2 |
| AM. STD. | ROXALYN | 0195.289 | 24 x 20 | 31 | 29 1/4 | 20 | 4 | 7 | 7 | 18 1/2 | 20 | 1/2 |
| CRANE | NORWICH | 1-165 | 20 x 18 | 31 | 29 1/8 | 16 1/4 | 4 | 5 5/8 | 6 3/8 | 18 1/2 | 20 | 2 1/2 |
| CRANE | NORWICH | 1-165 | 24 x 21 | 31 | 29 1/8 | 19 1/2 | 4 | 5 5/8 | 7 1/8 | 18 1/4 | 20 | 1 1/2 |
| ELJER | MAYBURNE | 051-2344, 2548 | 20 x 18 | 31 | 29 | 17 | 4 | 5 5/8 | 5 5/8 | 17 1/4 | 19 | 2 |
| ELJER | MAYBURNE | 051-2354, 2558 | 24 x 20 | 31 | 29 | 20 7/8 | 4 | 5 5/8 | 7 1/8 | 18 1/4 | 20 | 1 1/2 |
| KOHLER | JAMESTOWN | K-2053, 4, 5, 6 | 20 x 18 | 31 | 29 | 16 1/2 | 4 | 5 5/8 | 5 5/8 | 17 1/4 | 19 | 2 |
| KOHLER | JAMESTOWN | K-2053, 4, 5, 6 | 24 x 20 | 31 | 29 | 19 | 4 | 7 | 7 | 18 1/2 | 20 | 1/2 |
| U. RUNDLE | NEW CAMPUS | 4698, 9 | 20 x 18 | 31 | 29 3/8 | 16 1/4 | 4 | 5 | 4 | 14 | 16 | 1 |

NOTE: The rough-in dimensions listed on this drawing are based on current information available to Jay R. Smith by the fixture manufacturers. We recommend that you verify these dimensions with the fixture manufacturer. We will not accept responsibility for rough-in dimension changes by the fixture manufacturer.

DRAWING NUMBER
S0723 (-E)

SIZE
A

SCALE:
NONE

DATE:
12-26-74

APPROVED BY:

CHECKED BY:
RS

DRAWN BY:
RAS

0723 (-E)

WE CAN ASSUME NO RESPONSIBILITY FOR USE OF SUPERSEDED OR VOID DATA

DIMENSIONS ARE SUBJECT TO MANUFACTURERS TOLERANCE AND CHANGE WITHOUT NOTICE

| | | | | | | | |
|------|---------|------------------|-----|---------|------------------|----------------------|-----------------------------------|
| F | 8-23-93 | Submittal Update | EMB | BS | WEIGHT POUNDS | VOLUME CUBIC FEET | FIGURE NUMBER 0723 (-E) |
| REV. | DATE | DESCRIPTION | BY | CKD. BY | | | |

LAVATORY SUPPORTS WITH CONCEALED ARMS

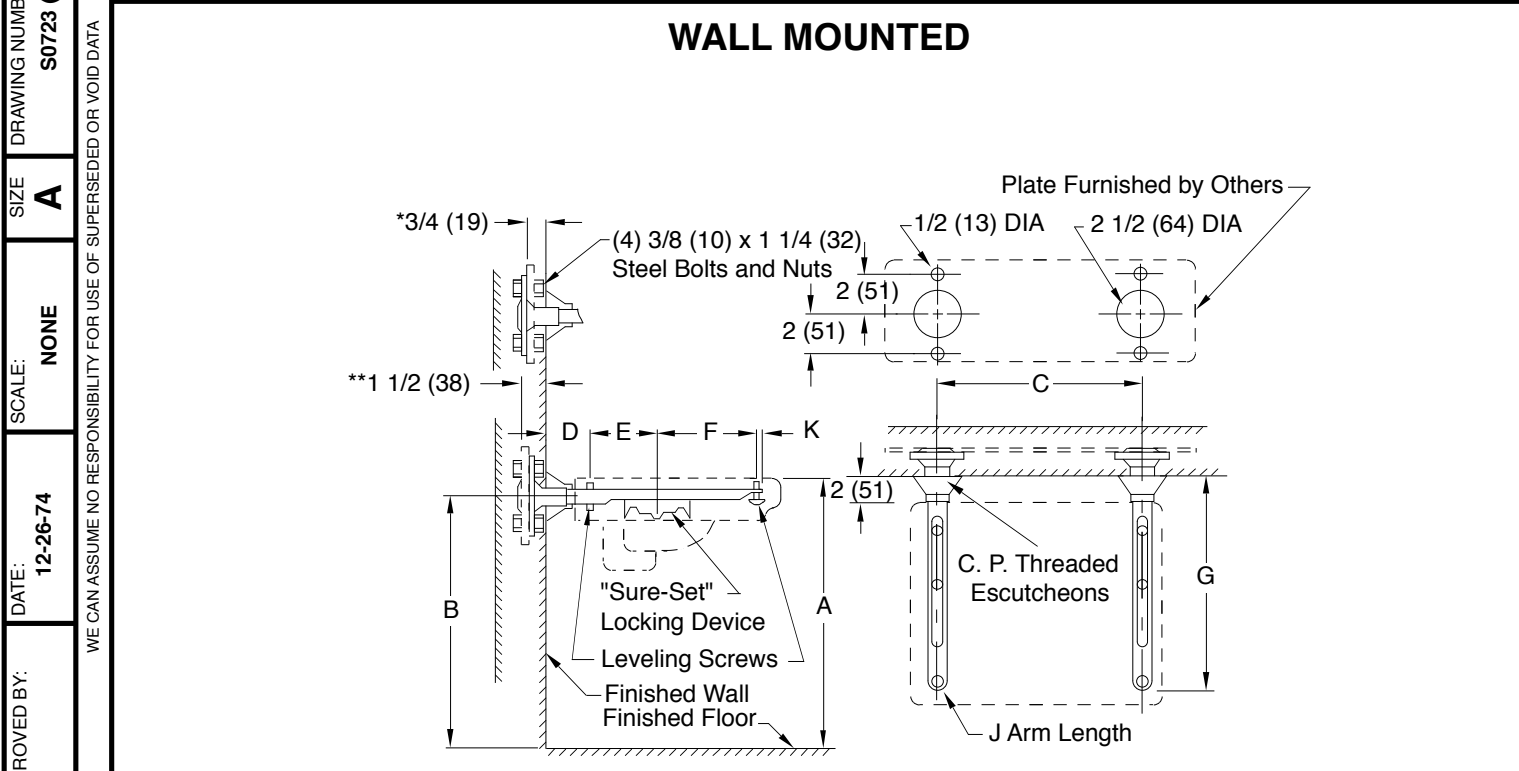


Fig. 0723 (-E) . . . FOR FLAT SLAB LAVATORIES TO ATTACH TO BACKING PLATE SECURED IN WALL

* Arm support bracket shown bolted in back of wall plate for plaster wall construction.
 ** Arm support bracket shown bolted in front of wall plate for tile wall construction.

ROUGHING-IN TABLE

| FIXTURE NAME | | | | NUMBER | | | SIZE | |
|--------------|---|---|---|--------|---|---|------|---|
| A | B | C | D | E | F | G | J | K |
| | | | | | | | | |

NOTE: The rough-in dimensions listed on this drawing are based on current information available to Jay R. Smith by the fixture manufacturers. We recommend that you verify these dimensions with the fixture manufacturer. We will not accept responsibility for rough-in dimension changes by the fixture manufacturer.

NOTE: Dimensions shown in parentheses are in millimeters.

0723 (-E)

DIMENSIONS ARE SUBJECT TO MANUFACTURERS TOLERANCE AND CHANGE WITHOUT NOTICE

| | | | | | | | | |
|---------------|----------|-------------------|---------------------------------------|------------|----------|------------------|----------------------|-----------------------------------|
| FIGURE NUMBER | G | 4-2-97 8-10-93 | Added Millimeters Submittal Update | EMB EMB | BS BS | WEIGHT POUNDS | VOLUME CUBIC FEET | FIGURE NUMBER 0723 (-E) |
| REV. | DATE | DESCRIPTION | BY | CKD. BY | | | | |