

LAVATORY SUPPORTS WITH CONCEALED ARMS

WALL MOUNTED

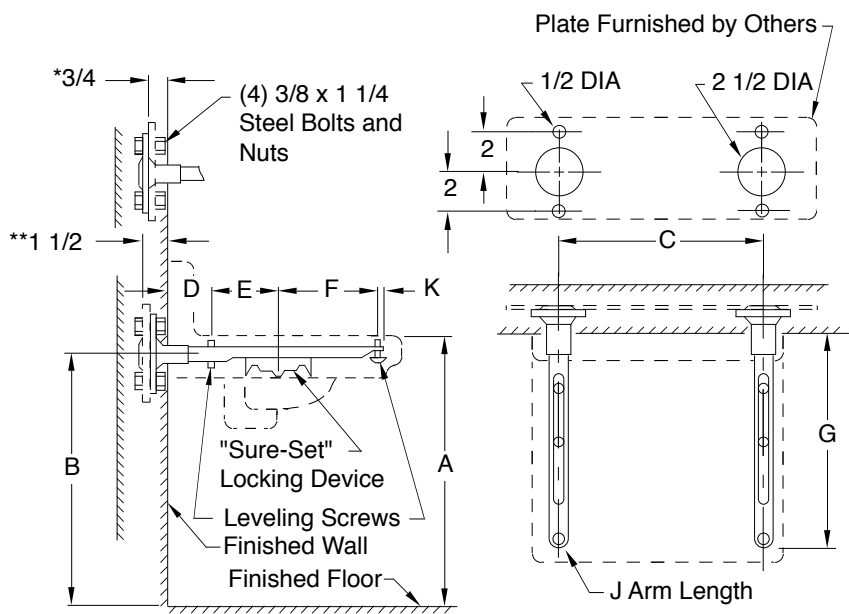


Fig. 0723 . . . FOR HIGH BACK LAVATORIES TO ATTACH TO BACKING PLATE SECURED IN WALL

* Arm support bracket shown bolted in back of wall plate for plaster wall construction.
 **Arm support bracket shown bolted in front of wall plate for tile wall construction.

ROUGHING-IN TABLE

FIXTURE MFG.	NAME	NUMBER	SIZE	A	B	C	D	E	F	G	J	K
AM. STD.	LUCERNE	0350.132	20 x 18	31	29 1/4	16 3/4	4	6	6	16 1/2	19	1/2
AM. STD.	LUCERNE	0350.603	24 x 20	31	29 1/4	20 1/4	4	7	7	18 1/2	20	1/2
AM. STD.	LUCERNE	0351.072	20 x 18	31	29 1/4	16 3/4	4	6	6	16 1/2	19	1/2
AM. STD.	LUCERNE	0351.247	24 x 20	31	29 1/4	20 1/4	4	7	7	18 1/2	20	1/2
CRANE	NORWICH	1-194	20 x 18	31	29 3/8	16 1/4	4	5 5/8	4 3/8	14 1/2	16	1/2
CRANE	NORWICH	1-194	24 x 21	31	29 3/8	19 1/2	4	5 5/8	7 1/8	17 1/4	19	1/2
ELJER	DELWYN	051-1644, 1848	20 x 18	31	29	17	4	5 5/8	5 5/8	16 3/4	19	1 1/2
ELJER	DELWYN	051-1654, 1858	24 x 20	31	29 1/4	21	4	5 5/8	7 1/8	17 1/4	19	1/2
KOHLER	GREENWICH	K-2030, 1, 2, 4, 6	20 x 18	31	29	17 1/4	3 1/4	5 1/4	5 1/4	14 1/4	16	1/2
KOHLER	GREENWICH	K-2030, 1, 2, 4, 6	24 x 20	31	29	19	3 1/4	5 3/4	6 1/4	16 3/4	19	1 1/2
U. RUNDLE	NEW CAMDEN	4648, 9	20 x 18	31	29 3/8	16 1/4	4 1/2	2 1/2	4	13 1/2	16	2 1/2

NOTE: The rough-in dimensions listed on this drawing are based on current information available to Jay R. Smith by the fixture manufacturers. We recommend that you verify these dimensions with the fixture manufacturer. We will not accept responsibility for rough-in dimension changes by the fixture manufacturer.

DRAWING NUMBER **S0723**
 SIZE **A**
 SCALE: **NONE**
 DATE: **1-26-73**
 APPROVED BY:
 CHECKED BY: **RP**
 DRAWN BY: **JH**
0723
 DIMENSIONS ARE SUBJECT TO MANUFACTURERS TOLERANCE AND CHANGE WITHOUT NOTICE
 WE CAN ASSUME NO RESPONSIBILITY FOR USE OF SUPERSEDED OR VOID DATA

G F E	9-23-94 12-13-74 1-26-73	Submittal Update Rev Table New Dwg	EMB RAS JH	BS	WEIGHT POUNDS	VOLUME CUBIC FEET	FIGURE NUMBER 0723
REV.	DATE	DESCRIPTION	BY	CKD. BY			

H
DRAWING NUMBER S0723 (B)
SIZE A
SCALE: NONE
DATE: 1-26-73
APPROVED BY:
CHECKED BY: RP
DRAWN BY: JH
FIGURE NUMBER 0723

SMITH® JAY R. SMITH MFG. CO.®
MEMBER OF MORRIS GROUP INTERNATIONAL
POST OFFICE BOX 3237
MONTGOMERY, ALABAMA 36109-0237 (USA)
TEL: 334-277-8520 FAX: 334-272-7396 www.jrsmith.com



LOCATION

LAVATORY SUPPORTS WITH CONCEALED ARMS

WALL MOUNTED TYPE

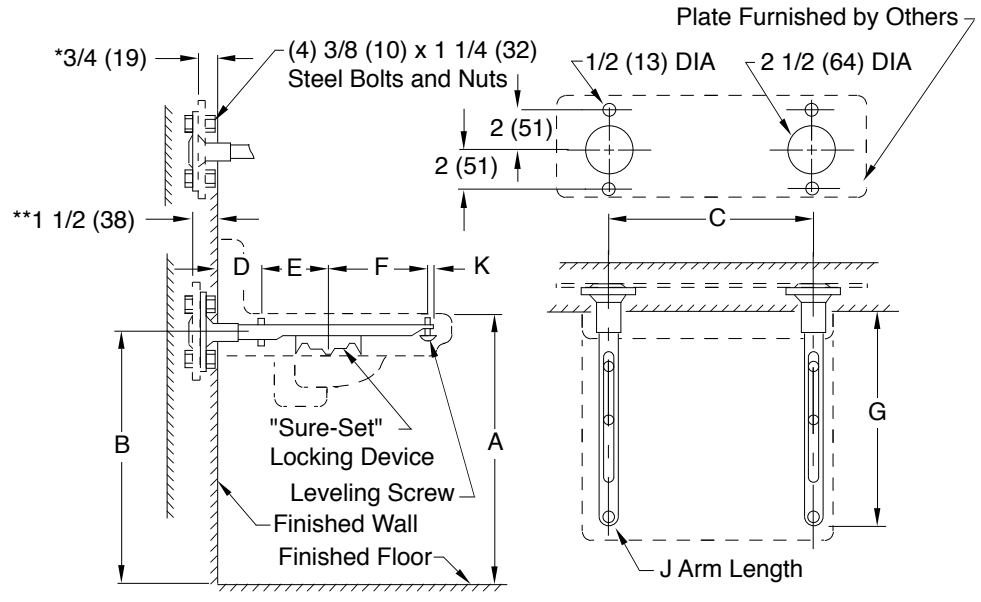


Fig. 0723 . . . FOR HIGH BACK LAVATORIES TO ATTACH TO BACKING PLATE SECURED IN WALL

* Arm support bracket shown bolted in back of wall plate for plaster wall construction.
** Arm support bracket shown bolted in front of wall plate for tile wall construction.

ROUGHING-IN TABLE

FIXTURE NAME				NUMBER			SIZE	
A	B	C	D	E	F	G	J	K

NOTE: The rough-in dimensions listed on this drawing are based on current information available to Jay R. Smith by the fixture manufacturers. We recommend that you verify these dimensions with the fixture manufacturer. We will not accept responsibility for rough-in dimension changes by the fixture manufacturer.

NOTE: Dimensions shown in parentheses are in millimeters.

H G	4-2-97 8-10-93	Added Millimeters Submittal Update	EMB EMB	BS	WEIGHT POUNDS	VOLUME CUBIC FEET	FIGURE NUMBER 0723
REV.	DATE	DESCRIPTION	BY	CKD. BY			