

LAVATORY SUPPORTS WITH CONCEALED ARMS

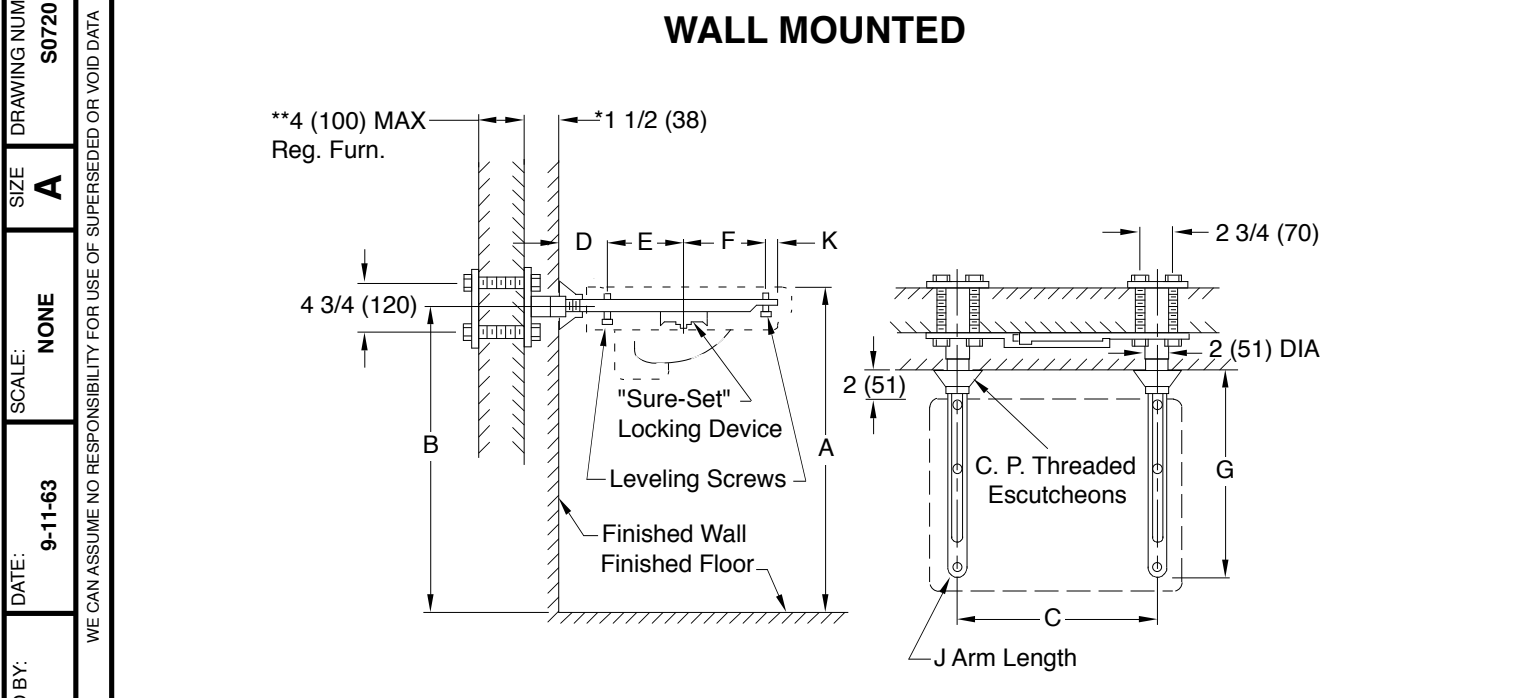


Fig. 0720 (-E) . . . FOR FLAT SLAB LAVATORIES SET ON MASONRY OR STUD WALL

* This dimension can be increased when required (specify thickness).
 ** For greater wall thickness, longer supporting studs can be furnished (specify wall thickness).

ROUGHING-IN TABLE

		FIXTURE NAME			NUMBER			SIZE		
		A	B	C	D	E	F	G	J	K

NOTE: The rough-in dimensions listed on this drawing are based on current information available to Jay R. Smith by the fixture manufacturers. We recommend that you verify these dimensions with the fixture manufacturer. We will not accept responsibility for rough-in dimension changes by the fixture manufacturer.

NOTE: Dimensions shown in parenthesis are in millimeters.

0720 (-E)

DRAWING NUMBER **S0720 (-E) (B)**
 SCALE: **NONE**
 DATE: **9-11-63**
 APPROVED BY: **RP**
 CHECKED BY: **SL**
 DRAWN BY: **SL**
 DIMENSIONS ARE SUBJECT TO MANUFACTURERS TOLERANCE AND CHANGE WITHOUT NOTICE

B	4-10-95	Chg'd Dim, Added Millimeters	EMB	BS	WEIGHT POUNDS	VOLUME CUBIC FEET	FIGURE NUMBER
A	8-9-93	Submittal Update	EMB				0720 (-E)
REV.	DATE	DESCRIPTION	BY	CKD. BY			