

LABOR SAVER® LAVATORY SUPPORTS WITH CONCEALED ARMS

FLOOR MOUNTED TYPE

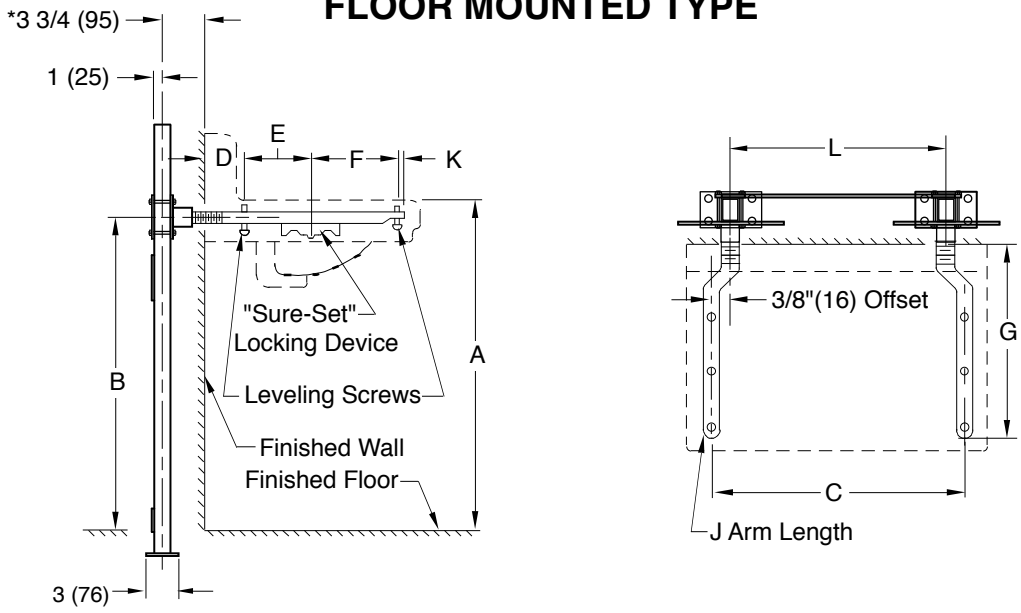
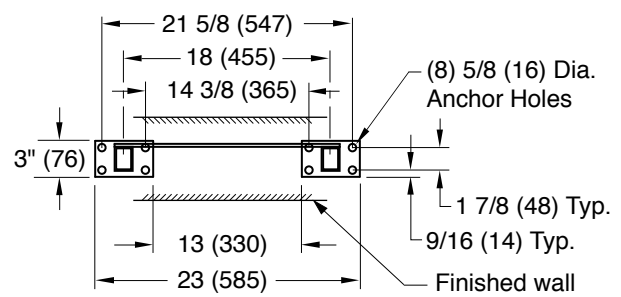


Fig. 0712 . . . FOR HIGH BACK LAVATORIES (shown)

NOTE: The rough-in dimensions listed on this drawing are based on current information available to Jay R. Smith by the fixture manufacturers. We recommend that you verify these dimensions with the fixture manufacturer. We will not accept responsibility for rough-in dimension changes by the fixture manufacturer.

NOTE: Dimensions shown in parentheses are in millimeters.



BASE DETAIL

ROUGHING-IN TABLE

FIXTURE NAME					NUMBER			SIZE		
A	B	C	D	E	F	G	J	K	L	

NOTE: *This dimension can be increased when fixture support is to be installed behind the wall. (Specify when required and wall thickness).

DRAWING NUMBER: S0712 (B)
 SIZE: A
 SCALE: NONE
 DATE: 07/19/02
 APPROVED BY:
 CHECKED BY:
 DRAWN BY: JJ
 FIGURE NUMBER: 0712

WE CAN ASSUME NO RESPONSIBILITY FOR USE OF SUPERSEDED OR VOID DATA
 DIMENSIONS ARE SUBJECT TO MANUFACTURERS TOLERANCE AND CHANGE WITHOUT NOTICE

C B A	07/23/08 12/09/02 08/05/02	Revised Plate Configuration Revised per George Flegel Added Offset Dimension	JJ JJ JJ	CL AM AM	WEIGHT POUNDS	VOLUME CUBIC FEET	FIGURE NUMBER 0712
REV.	DATE	DESCRIPTION	BY	CKD. BY			