

LABOR SAVER® LAVATORY SUPPORTS

FLOOR MOUNTED TYPE WITH CONCEALED ARMS FOR NARROW WALL INSTALLATION

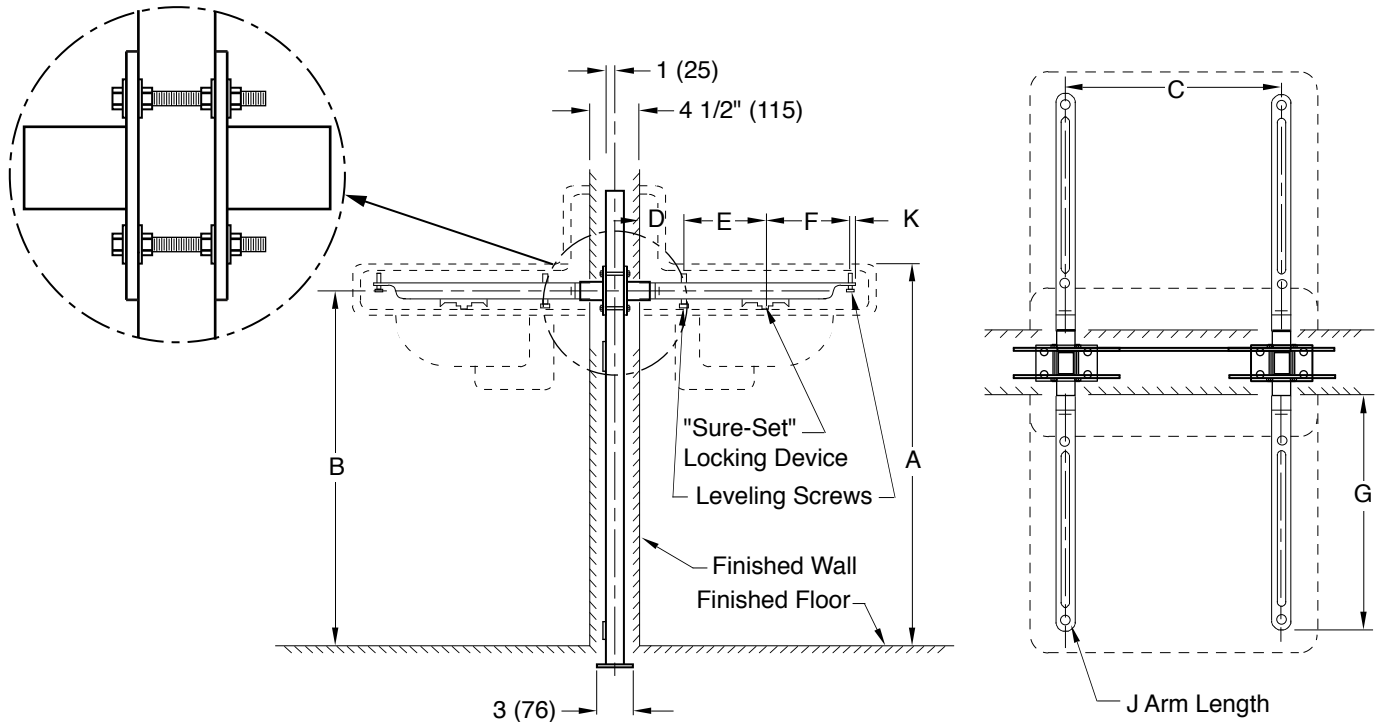
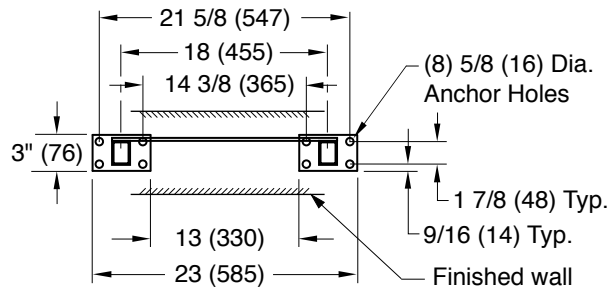


Fig. 0710DZ.....FOR BACK TO BACK SUPPORT

NOTE: The rough-in dimensions listed on this drawing are based on current information available to Jay R. Smith by the fixture manufacturers. We recommend that you verify these dimensions with the fixture manufacturer. We will not accept responsibility for rough-in dimension changes by the fixture manufacturer.

NOTE: Dimensions shown in parentheses are in millimeters.



BASE DETAIL

ROUGH-IN TABLE

FIXTURE MFG.		NAME		NUMBER		SIZE		
A	B	C	D	E	F	G	J	K

REV.	DATE	DESCRIPTION	BY	CKD. BY
C	4-8-14	Revised Drawing	TBW	CL
B	9-27-10	Added ® to LABOR SAVER	RN	CL
A	11/17/08	Revised Plate Configuration	JJ	CL

WEIGHT POUNDS	VOLUME CUBIC FEET

FIGURE NUMBER
0710DZ

DRAWING NUMBER
S0710DZ

SIZE
A

SCALE:
NONE

DATE:
07/09/03

APPROVED BY:
CL

CHECKED BY:
CL

DRAWN BY:
JJ

0710DZ

FIGURE NUMBER

WE CAN ASSUME NO RESPONSIBILITY FOR USE OF SUPERSEDED OR VOID DATA

DIMENSIONS ARE SUBJECT TO MANUFACTURERS TOLERANCE AND CHANGE WITHOUT NOTICE