

# LABOR SAVER® LAVATORY SUPPORTS

## FLOOR MOUNTED TYPE WITH CONCEALED ARMS

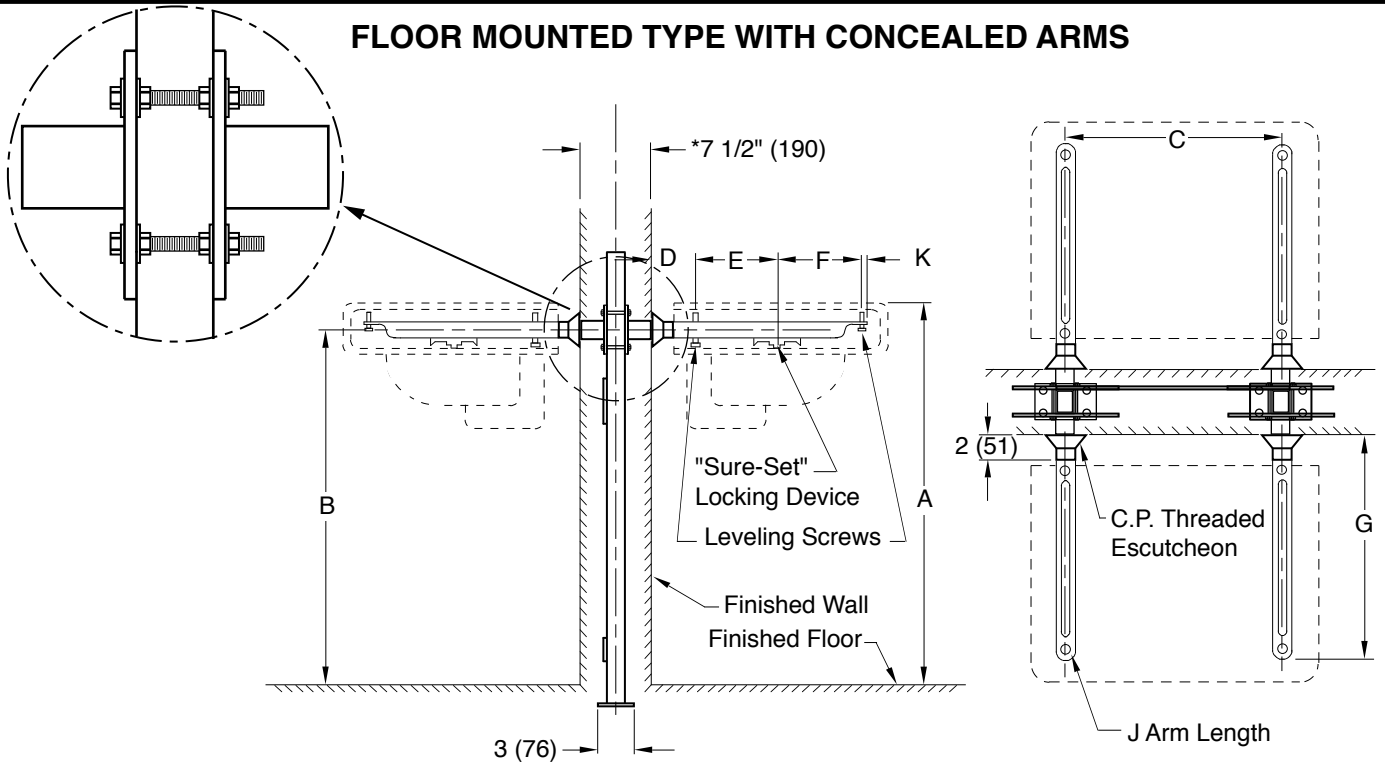
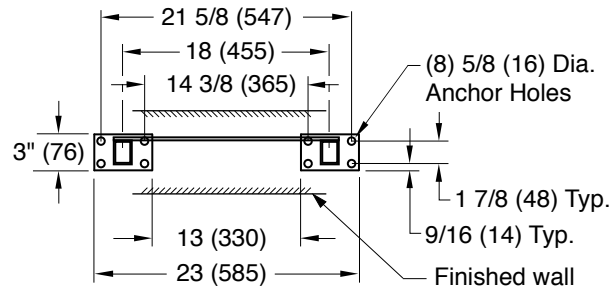


Fig. 0710D(-E).....FOR FLAT-SLAB LAVATORIES

**NOTE:** The rough-in dimensions listed on this drawing are based on current information available to Jay R. Smith by the fixture manufacturers. We recommend that you verify these dimensions with the fixture manufacturer. We will not accept responsibility for rough-in dimension changes by the fixture manufacturer.

**NOTE:** \*This dimension can be increased when required. (Specify wall thickness)

**NOTE:** Dimensions shown in parentheses are in millimeters.



BASE DETAIL

### ROUGH-IN TABLE

| FIXTURE MFG. |   | NAME |   | NUMBER |   | SIZE |   |   |
|--------------|---|------|---|--------|---|------|---|---|
| A            | B | C    | D | E      | F | G    | J | K |

|      |          |                             |    |         |               |                   |                  |
|------|----------|-----------------------------|----|---------|---------------|-------------------|------------------|
| REV. | DATE     | DESCRIPTION                 | BY | CKD. BY | WEIGHT POUNDS | VOLUME CUBIC FEET | FIGURE NUMBER    |
| C    | 01/20/11 | Updated Logo                | JJ | TW      |               |                   | <b>0710D(-E)</b> |
| B    | 07/22/08 | Revised Plate Configuration | JJ | CL      |               |                   |                  |
| A    | 11/07/02 | Changed per George Flegel   | JJ | AM      |               |                   |                  |

DRAWING NUMBER: S0710D(-E)  
 SIZE: A  
 SCALE: NONE  
 DATE: 06/03/02  
 APPROVED BY: AM  
 CHECKED BY: CR  
 DRAWN BY: JJ  
 FIGURE NUMBER: 0710D(-E)

WE CAN ASSUME NO RESPONSIBILITY FOR USE OF SUPERSEDED OR VOID DATA

DIMENSIONS ARE SUBJECT TO MANUFACTURERS TOLERANCE AND CHANGE WITHOUT NOTICE