

LABOR SAVER® LAVATORY SUPPORTS

FLOOR MOUNTED TYPE WITH CONCEALED ARMS

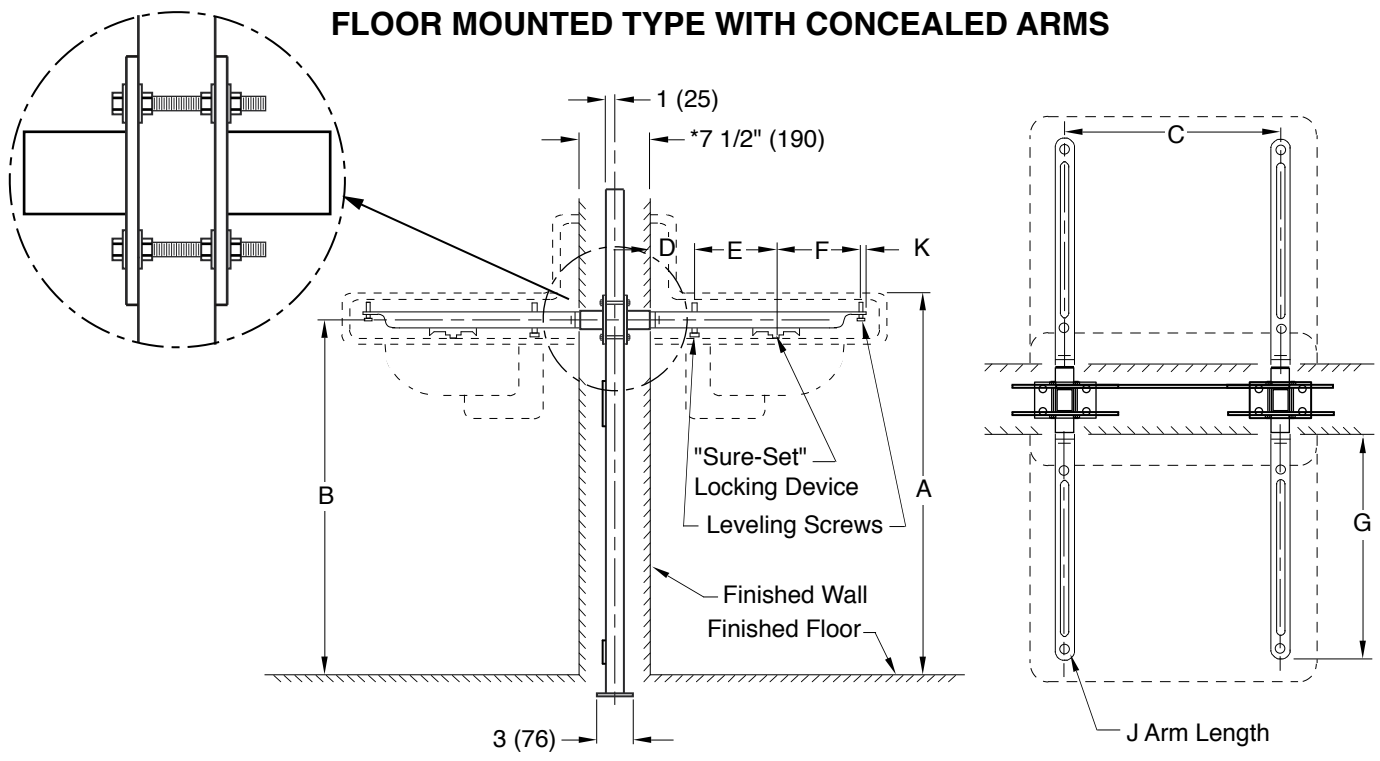
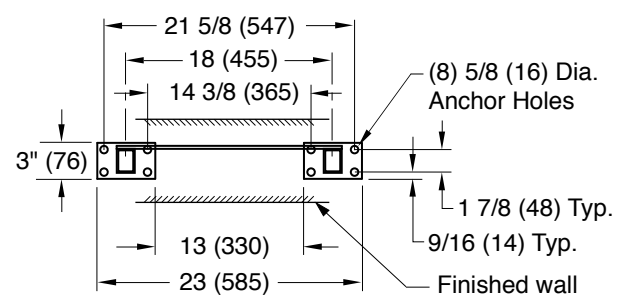


Fig. 0710D.....FOR BACK TO BACK SUPPORT

NOTE: The rough-in dimensions listed on this drawing are based on current information available to Jay R. Smith by the fixture manufacturers. We recommend that you verify these dimensions with the fixture manufacturer. We will not accept responsibility for rough-in dimension changes by the fixture manufacturer.

NOTE: *This dimension can be increased when required. (Specify wall thickness).

NOTE: Dimensions shown in parentheses are in millimeters.



BASE DETAIL

ROUGH-IN TABLE

FIXTURE MFG.		NAME		NUMBER		SIZE		
A	B	C	D	E	F	G	J	K

DRAWING NUMBER: **S0710D**
 SIZE: **A**
 SCALE: **NONE**
 DATE: **06/03/02**
 APPROVED BY: **AM**
 CHECKED BY: **CR**
 DRAWN BY: **JJ**
0710D
 DIMENSIONS ARE SUBJECT TO MANUFACTURERS TOLERANCE AND CHANGE WITHOUT NOTICE
 WE CAN ASSUME NO RESPONSIBILITY FOR USE OF SUPERSEDED OR VOID DATA

D C B A	01/20/11 07/22/08 11/06/02 6-25-02	Updated Logo Revised Plate Configuration Changed per George Flegel Revised 5/16 Stud to 5/16 Bolts	JJ JJ JJ RN	TW CL AM AM	WEIGHT POUNDS	VOLUME CUBIC FEET	FIGURE NUMBER <h1 style="margin: 0;">0710D</h1>
REV.	DATE	DESCRIPTION	BY	CKD. BY			