

C

SMITH® JAY R. SMITH MFG. CO.®
 MEMBER OF MORRIS GROUP INTERNATIONAL
 POST OFFICE BOX 3237
 MONTGOMERY, ALABAMA 36109-0237 (USA)
 TEL: 334-277-8520 FAX: 334-272-7396 www.jrsmith.com



LOCATION

LABOR SAVER® LAVATORY SUPPORT FLOOR MOUNTED WITH CONCEALED ARMS

FOR HIGH BACK LAVATORY WITH WALL MOUNTED KNEE-ACTION VALVE

DRAWING NUMBER
S0710 (-KW)

SIZE
A

SCALE:
NONE

DATE:
07/12/01

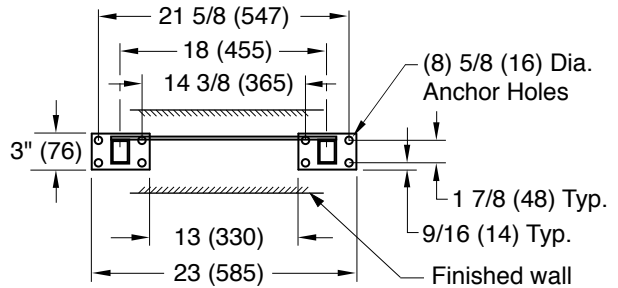
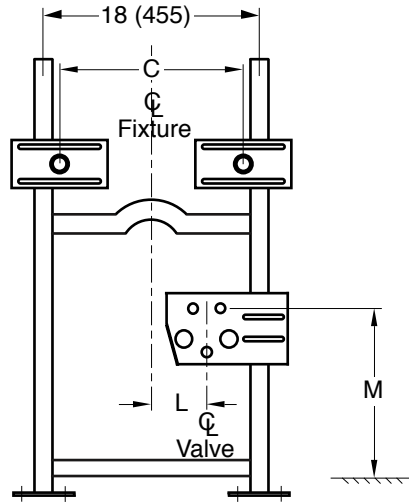
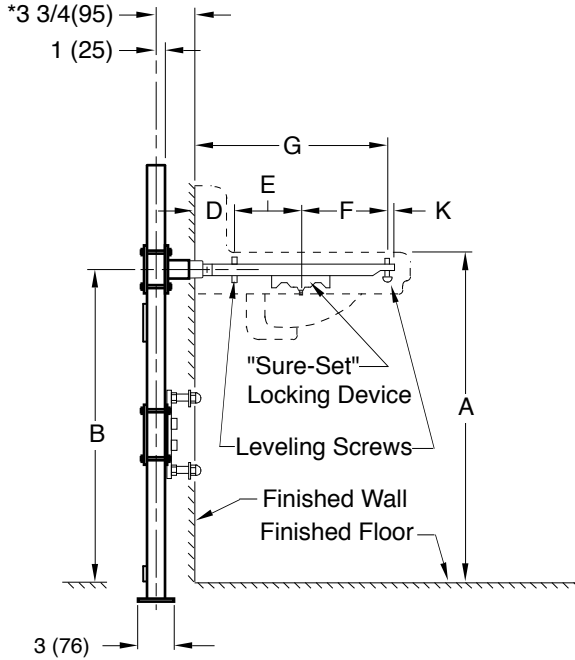
APPROVED BY:
AM

CHECKED BY:
CR

DRAWN BY:
JJ

0710 (-KW)

WE CAN ASSUME NO RESPONSIBILITY FOR USE OF SUPERSEDED OR VOID DATA



BASE DETAIL

NOTE: The rough-in dimensions listed on this drawing are based on current information available to Jay R. Smith by the fixture manufacturers. We recommend that you verify these dimensions with the fixture manufacturer. We will not accept responsibility for rough-in dimension changes by the fixture manufacturer.

NOTE: *This dimension includes a wall thickness of 1/2". For greater wall thickness, specify centerline of upright to finished wall dimension.

NOTE: Dimensions shown in parentheses are in millimeters.

ROUGH-IN TABLE

		FIXTURE MFG.		NAME		NUMBER		SIZE		
A	B	C	D	E	F	G	J	K	L	M

REV.	DATE	DESCRIPTION	BY	CKD. BY	WEIGHT POUNDS	VOLUME CUBIC FEET	FIGURE NUMBER
C B A	07/23/08 12/06/02 12/19/01	Revised Plate Configuration Revised per George Flegel Changed Hole Size in Base	JJ JJ	CL AM			0710 (-KW)