

DRAWING NUMBER S0700D (-M31) (B)
SIZE A
SCALE: NONE
DATE: 1-30-70
APPROVED BY:
CHECKED BY: AB
DRAWN BY: RLK

LAVATORY SUPPORTS WITH CONCEALED ARMS

FLOOR MOUNTED WITH RECTANGULAR 1(25) X 3(76) "PRO-SET" UPRIGHTS

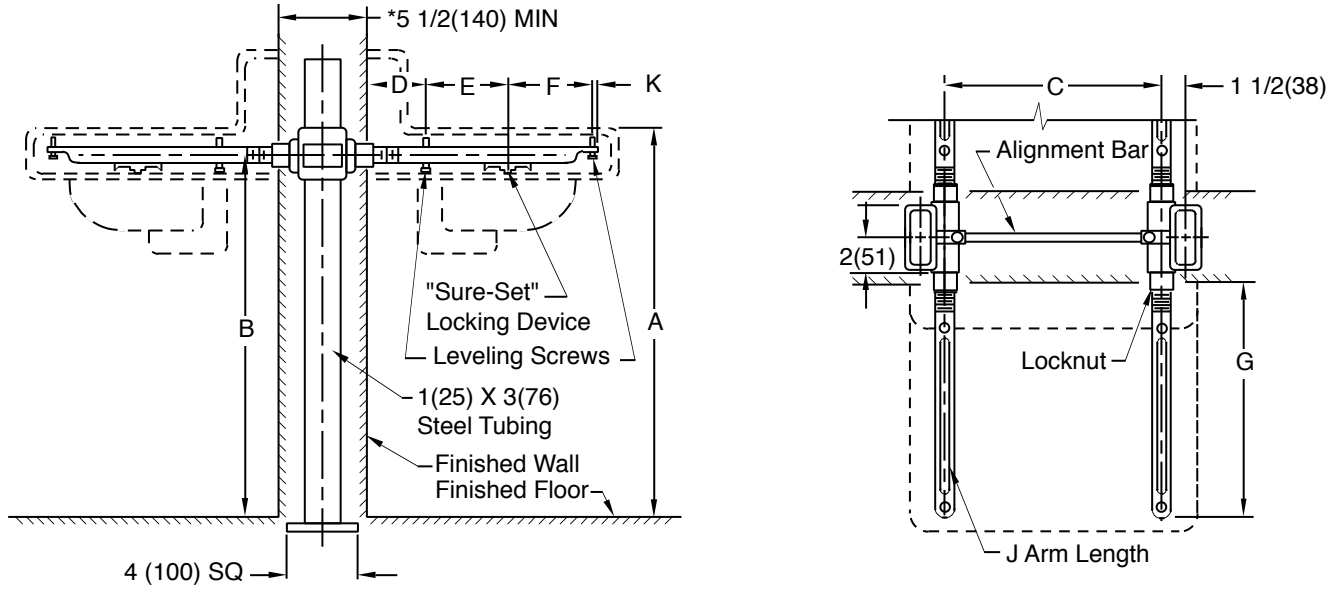
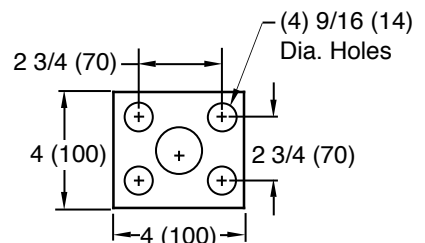


Fig. 0700D (-M31) . . . FOR BACK-TO-BACK SUPPORT

NOTE: The rough-in dimensions listed on this drawing are based on current information available to Jay R. Smith by the fixture manufacturers. We recommend that you verify these dimensions with the fixture manufacturer. We will not accept responsibility for rough-in dimension changes by the fixture manufacturer.



BASE DETAIL

ROUGHING-IN TABLE

FIXTURE NAME				NUMBER			SIZE	
A	B	C	D	E	F	G	J	K

*This dimension includes wall thickness of 1/2"(13). For greater wall thickness, specify centerline of upright to finished wall dimension.

FIGURE NUMBER	D	09/27/10	Updated Drawing	JJ	CL	WEIGHT POUNDS	VOLUME CUBIC FEET	FIGURE NUMBER
	C	8-5-93	Submittal Update	EMB	BS			
	REV.	DATE	DESCRIPTION	BY	CKD. BY			