

D

**SMITH® JAY R. SMITH MFG. CO.®**  
 MEMBER OF MORRIS GROUP INTERNATIONAL  
 POST OFFICE BOX 3237  
 MONTGOMERY, ALABAMA 36109-0237 (USA)  
 TEL: 334-277-8520 FAX: 334-272-7396 www.jrsmith.com



LOCATION

# LAVATORY SUPPORTS WITH CONCEALED ARMS

## FLOOR MOUNTED WITH RECTANGULAR 1(25) X 3(76) "PRO-SET" UPRIGHTS

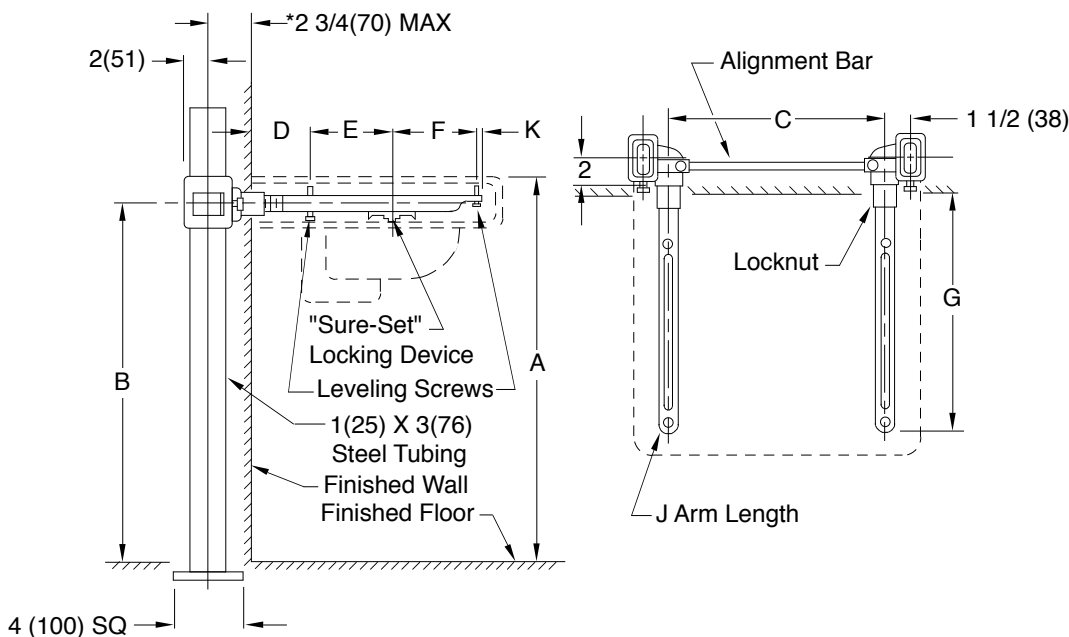
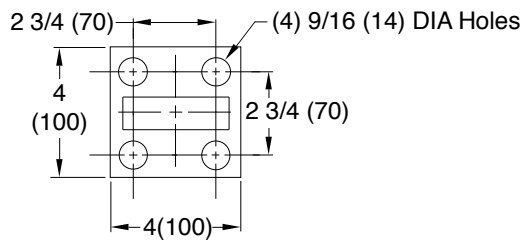


Fig. 0700 (-27 -M31) . . . FOR WHEEL CHAIR LAVATORIES (shown)

**NOTE:** The rough-in dimensions listed on this drawing are based on current information available to Jay R. Smith by the fixture manufacturers. We recommend that you verify these dimensions with the fixture manufacturer. We will not accept responsibility for rough-in dimension changes by the fixture manufacturer.

**NOTE:** Dimensions shown in parentheses are in millimeters.



BASE DETAIL

### ROUGHING-IN TABLE

FIXTURE NAME				NUMBER			SIZE		
A	B	C	D	E	F	G	J	K	

**NOTE:** \*This dimension includes wall thickness of 1/2"(13). For greater wall thickness, specify center-line of upright to finished wall dimension.

0700 (-27 -M31)

FIGURE NUMBER

D	10-10-13	Revised Base Plate Added Millimeters	TBW	CL
C	3-25-97		EMB	BS
REV.	DATE	DESCRIPTION	BY	CKD. BY

WEIGHT POUNDS

VOLUME CUBIC FEET

FIGURE NUMBER

**0700 (-27 -M31)**

DIMENSIONS ARE SUBJECT TO MANUFACTURERS TOLERANCE AND CHANGE WITHOUT NOTICE

DRAWING NUMBER S0700 (-27 -M31) (B)

SIZE A

SCALE: NONE

DATE: 7-26-85

APPROVED BY: BS

CHECKED BY: JD

DRAWN BY: PL