



JAY R. SMITH MFG. CO.
 MEMBER OF MORRIS GROUP INTERNATIONAL
 POST OFFICE BOX 3237
 MONTGOMERY, ALABAMA 36109-0237 (USA)
 TEL: 334-277-8520 FAX: 334-272-7396 www.jrsmith.com



MEMBER OF:

LOCATION

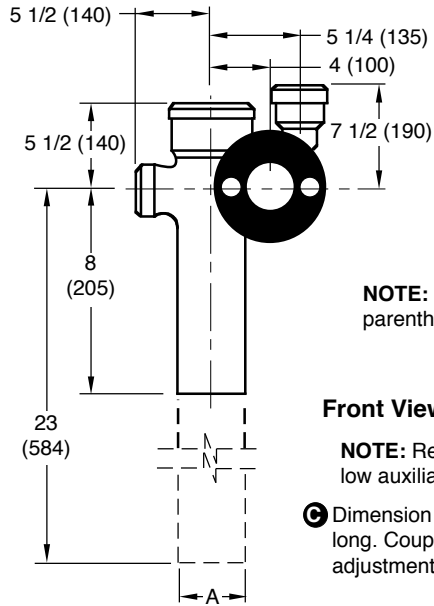
D
 DRAWING NUMBER S0679
 SIZE A
 SCALE: NONE
 DATE: 3-13-68
 APPROVED BY: RP
 CHECKED BY: RP
 DRAWN BY: RD
 0679 and 0686 SERIES
 FIGURE NUMBER

WE CAN ASSUME NO RESPONSIBILITY FOR USE OF SUPERSEDED OR VOID DATA

DIMENSIONS ARE SUBJECT TO MANUFACTURERS TOLERANCE AND CHANGE WITHOUT NOTICE

VERTICAL OFFSET WASTE FITTING WITH HIGH SIDE INLET

FOR USE WITH FLOOR MOUNTED BACK OUTLET CLOSET AND LAVATORY



NOTE: Dimensions shown in parentheses are in millimeters.

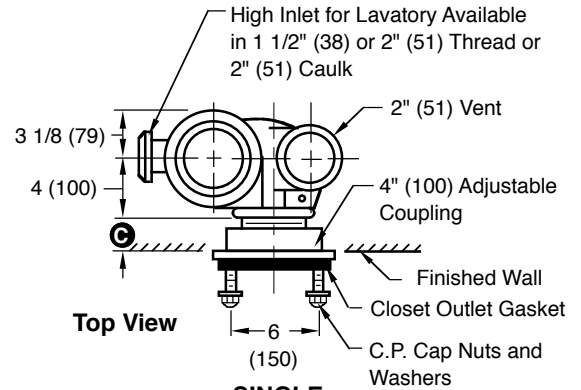
Front View

NOTE: Regularly furnished with high and low auxiliary inlet, specify sizes and type.

Ⓢ Dimension is regularly furnished 4" (100) long. Coupling provides 3/4" (19) adjustment in either direction.

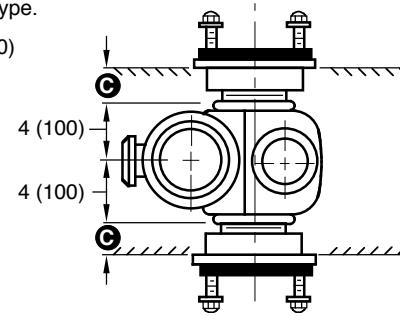
A (Pipe Size) = 4" (100)

- Fig. 0679L..... LEFT HAND
- Fig. 0679R..... RIGHT HAND (SHOWN)
- Fig. 0679D..... DOUBLE
- Fig. 0686L..... LEFT HAND LONG BARREL
- Fig. 0686R..... RIGHT HAND LONG BARREL
- Fig. 0686D..... DOUBLE LONG BARREL



Top View

SINGLE

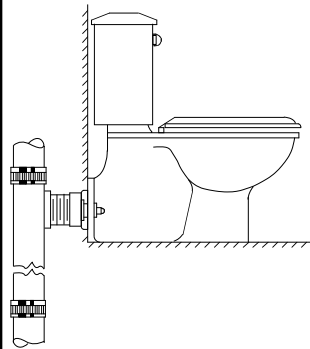


Top View

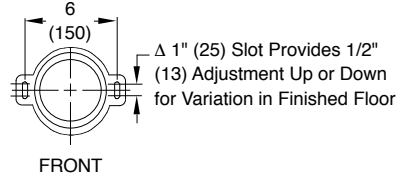
DOUBLE

The water closet gasket regularly furnished is designed to fit water closet outlet dimensions and configurations shown in ANSI Standard A112.19.2. If gasket is not found to be compatible to fixture due to nonconformance of said fixture to ANSI A112.19.2, then fixture manufacturer shall be consulted for a suitable gasket recommendation. Jay R. Smith assumes no liability for connections to fixtures which do not conform to these standards.

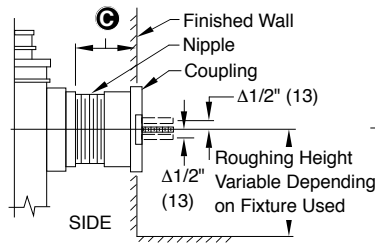
TYPICAL APPLICATION



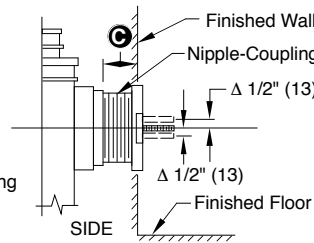
OUTLET CONNECTIONS



FRONT



REGULARLY FURNISHED



TYPE 2M (When Specified)

NIPPLE LENGTHS AVAILABLE

NIPPLE LENGTH	MIN	Ⓢ	MAX
2 1/2 (64)	2 3/4 (70)		3 3/4 (95)
* 3 1/4 (83)	3 (76)		4 1/2 (115)
4 1/2 (115)	4 1/4 (110)		5 3/4 (145)
5 1/4 (135)	5 (125)		6 1/2 (165)
6 1/4 (160)	6 (150)		7 1/2 (190)
7 (180)	6 3/4 (170)		8 1/4 (210)
8 1/4 (210)	8 (205)		9 1/2 (240)
10 (255)	9 3/4 (250)		11 1/4 (285)
12 (305)	11 3/4 (300)		13 1/4 (335)
15 (380)	14 3/4 (375)		16 1/4 (415)
18 (455)	17 3/4 (450)		19 1/4 (490)

* Regularly Furnished

D	3-18-14	Revised Dimensions	TBW	CL	WEIGHT	VOLUME	FIGURE NUMBER 0679 and 0686 SERIES
C	5-13-13	Revised Text	TBW	CL	POUNDS	CUBIC FEET	
B	4-11-96	Added Millimeters	EMB	BS			
A	9-29-94	Submittal Update	CMB	BS			
REV.	DATE	DESCRIPTION	BY	CKD. BY			