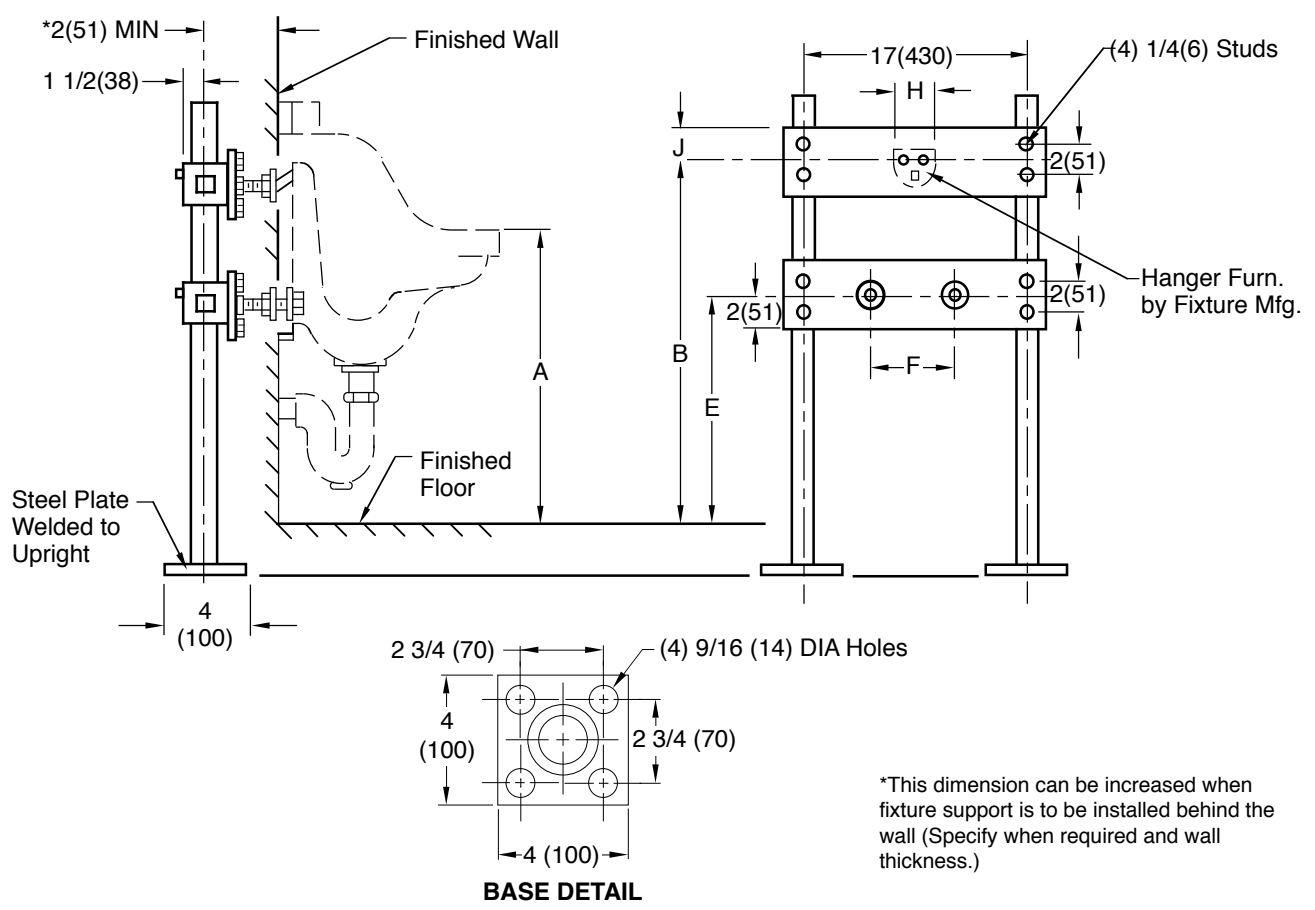


DRAWING NUMBER: **S0648**
 SIZE: **A**
 SCALE: **NONE**
 DATE: **2-7-66**
 APPROVED BY:
 CHECKED BY: **RP**
 DRAWN BY: **WZ**
 FIGURE NUMBER: **0648**

WE CAN ASSUME NO RESPONSIBILITY FOR USE OF SUPERSEDED OR VOID DATA

FIXTURE SUPPORT FLOOR MOUNTED TYPE WITH TOP AND BOTTOM SUPPORTING PLATES AND STUDS

FOR WASHOUT URINALS WITH TOP STUD AND BOTTOM OUTLET



*This dimension can be increased when fixture support is to be installed behind the wall (Specify when required and wall thickness.)

NOTE: Dimensions shown in parentheses are in millimeters.

FIXTURE NAME	NUMBER	SIZE
A	B	E
F	H	J

REV.	DATE	DESCRIPTION	BY	CKD. BY	WEIGHT POUNDS	VOLUME CUBIC FEET	FIGURE NUMBER 0648