

F

SMITH® JAY R. SMITH MFG. CO.®
 MEMBER OF MORRIS GROUP INTERNATIONAL
 POST OFFICE BOX 3237
 MONTGOMERY, ALABAMA 36109-0237 (USA)
 TEL: 334-277-8520 FAX: 334-272-7396 www.jrsmith.com

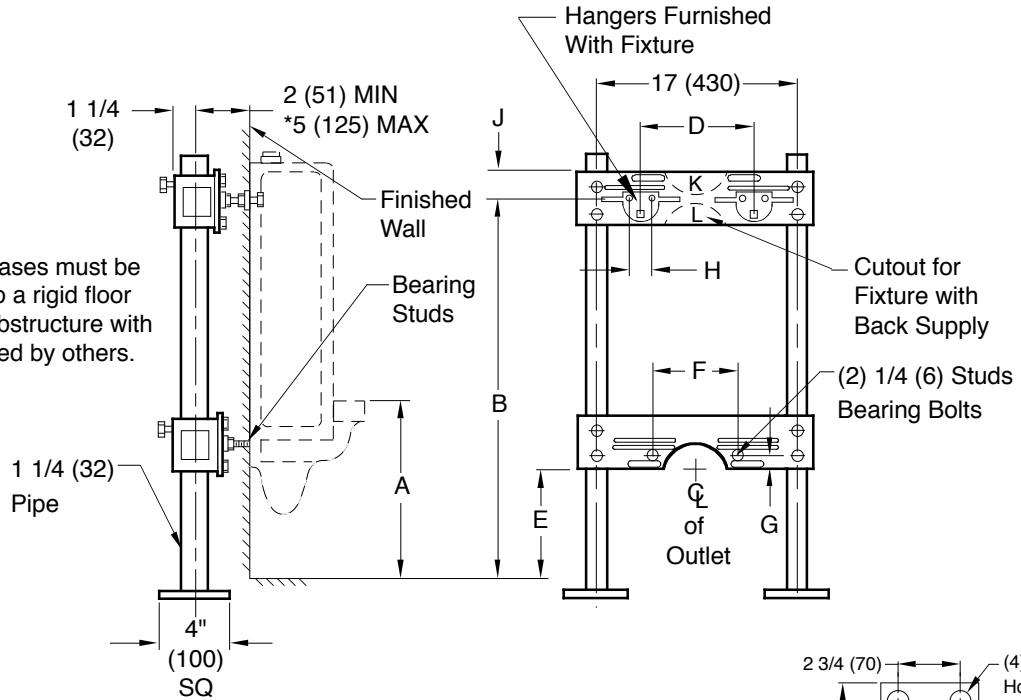


LOCATION

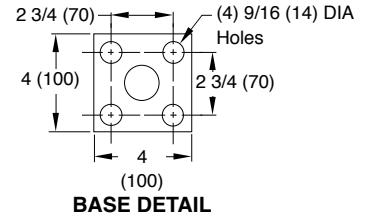
URINAL SUPPORTS FOR OFF-THE-FLOOR URINALS

WITH PLATE FOR BLOWOUT AND WASHOUT URINALS WITH WALL HANGERS

NOTE: All support bases must be securely anchored to a rigid floor and/or other rigid substructure with (4) 1/2" bolts furnished by others.



*This dimension can be increased when fixture support is to be installed behind the wall (specify when required and wall thickness).



NOTE: Dimensions shown in parentheses are in millimeters.

ROUGH-IN TABLE

FIXTURE MFG.	NAME	NUMBER	A	B	D	E	F	G	H	J	K	L
Am. Std.	Washbrook	6501.010	24 (610)	39 (990)	13 1/2 (345)	21 (535)	7 (180)	1/2 (13)	1 3/16 (30)	2 (51)	X	-
Am. Std.	Washbrook	6506.011	24 (610)	39 (990)	13 1/2 (345)	21 (535)	7 (180)	1/2 (13)	1 3/16 (30)	2 (51)	X	-
Am. Std.	Lynbrook	6538.010	24 (610)	40 (1015)	13 1/2 (345)	21 (535)	7 (180)	1/2 (13)	1 3/16 (30)	1 (25)	X	-
Am. Std.	Lynbrook	6531.019	24 (610)	40 (1015)	13 1/2 (345)	21 (535)	7 (180)	1/2 (13)	1 3/16 (30)	1 (25)	X	-
Am. Std.	Trimbrook	6560.015	24 (610)	37 5/8 (955)	11 (280)	16 3/8 (416)	5 (125)	1 (25)	1 3/16 (30)	1 (25)	X	-
Am. Std.	Trimbrook	6560.023	24 (610)	37 5/8 (955)	11 (280)	16 3/8 (416)	5 (125)	1 (25)	1 3/16 (30)	1 (25)	X	-
Am. Std.	Trimbrook	6565.014	24 (610)	37 5/8 (955)	11 (280)	16 3/8 (416)	5 (125)	1 (25)	1 3/16 (30)	1 (25)	X	-
Am. Std.	Trimbrook	6565.022	24 (610)	37 5/8 (955)	11 (280)	16 3/8 (416)	5 (125)	1 (25)	1 3/16 (30)	1 (25)	X	-
Eljer	Correcto	161-1030, 45 161-1060, 75	24 (610)	39 3/8 (1000)	12 (305)	21 (535)	5 1/4 (135)	1 (25)	1 (25)	1 (25)	X	
Eljer	Terminal	161-1100, 3	25 1/2 (650)	33 7/8 (860)	9 1/2 (240)	23 1/4 (590)	6 (150)	2 (51)	1 (25)	1 (25)	X	-
Eljer	Dover	161-1160, 75	24 (610)	32 3/8 (822)	6 (150)	17 (430)	6 (150)	1 (25)	1 (25)	1 (25)	X	-
Kohler	Stanwell	K-4970-T, R	24 (610)	40 (1015)	12 (305)	22 (560)	5 3/8 (137)	1 (25)	1 (25)	1 (25)	X	-
Kohler	Bardon	K-4980-T, R	24 (610)	40 1/2 (1030)	12 (305)	21 (535)	8 1/4 (210)	1 (25)	1 (25)	1 (25)	X	-
Kohler	Derry	K-5007-T, R	24 (610)	29 1/2 (750)	6 (150)	22 (560)	6 (150)	1 (25)	1 (25)	1 (25)	-	X
Kohler	Dexter	K-5014-T, R	24 (610)	32 1/8 (816)	6 1/2 (165)	17 5/8 (448)	8 (205)	1 (25)	1 (25)	1 (25)	X	-

DRAWING NUMBER
S0637

SIZE
A

SCALE:
NONE

DATE:
1-10-74

APPROVED BY:
BS

CHECKED BY:
CR

DRAWN BY:
BDS

0637

WE CAN ASSUME NO RESPONSIBILITY FOR USE OF SUPERSEDED OR VOID DATA

DIMENSIONS ARE SUBJECT TO MANUFACTURERS TOLERANCE AND CHANGE WITHOUT NOTICE

F E	04/22/09 07/17/02	Added Note Changed Table	JJ RN	AM MB
REV.	DATE	DESCRIPTION	BY	CKD. BY

WEIGHT POUNDS	VOLUME CUBIC FEET

FIGURE NUMBER
0637