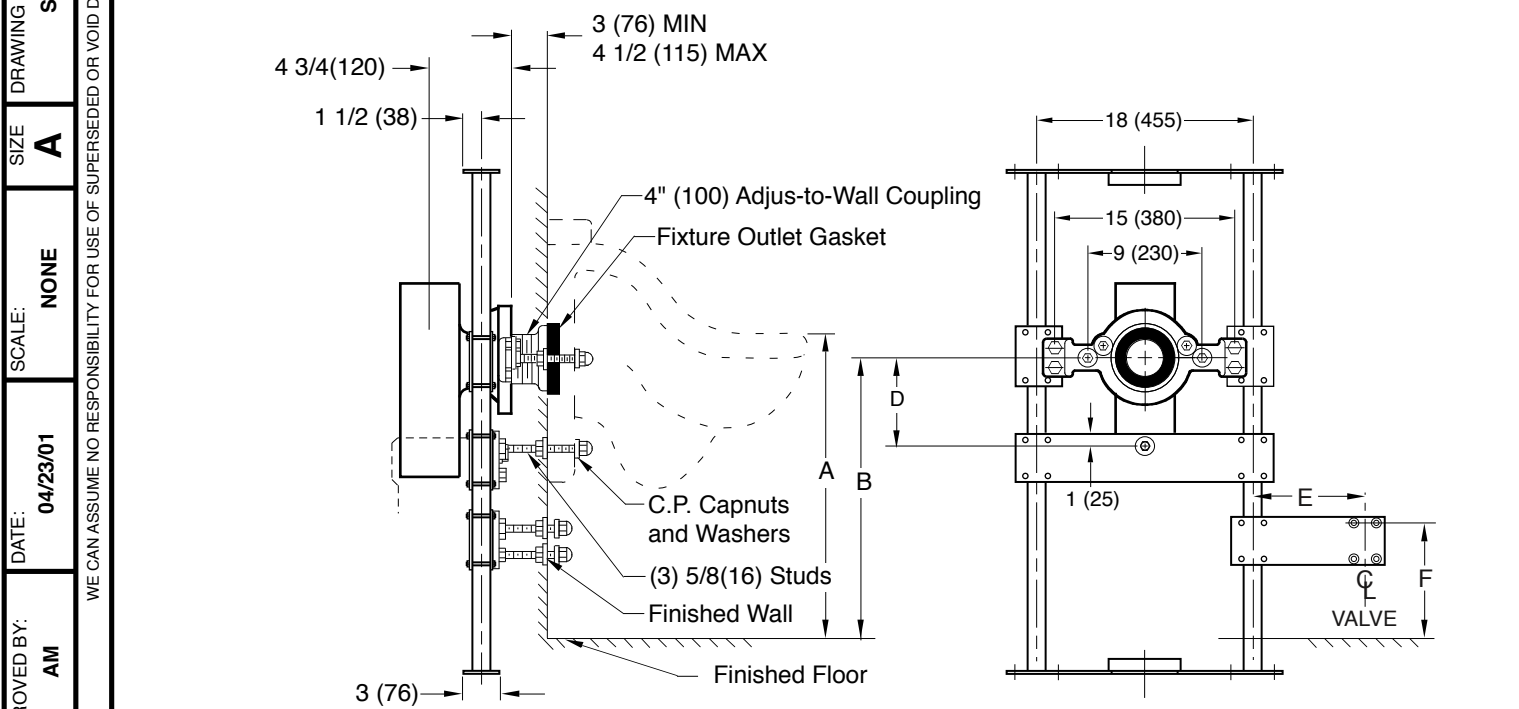


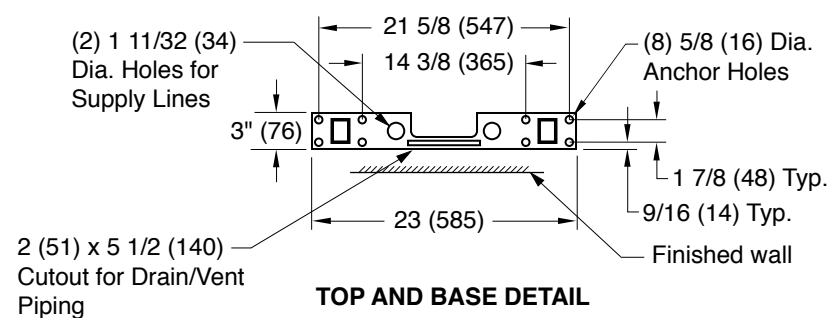
**LABOR SAVER® URINAL SUPPORTS  
 FOR OFF-THE-FLOOR URINALS**

**WITH SUPPORTING STUDS AND WASTE FITTING, ADJUSTABLE COUPLING**



**NOTE:** The rough-in dimensions listed on this drawing are based on current information available to Jay R. Smith by the fixture manufacturers. We recommend that you verify these dimensions with the fixture manufacturer. We will not accept responsibility for rough-in dimension changes by the fixture manufacturer.

**NOTE:** The water closet gasket regularly furnished is made of molded neoprene and designed to fit water closet outlet dimensions and configurations shown in ANSI Standard A112.19.2M-1982, Figure 13B. If gasket is not found to be compatible to fixture due to nonconformance of said fixture to ANSI A112.19.2M, then fixture manufacturer shall be consulted for a suitable gasket recommendation. Jay R. Smith assumes no liability for connections to fixtures which do not conform to these standards.



**ROUGH-IN TABLE**

FIXTURE MFG.	NAME	NUMBER	SIZE	A	B	D	E	F

**NOTE:** Dimensions shown in parenthesis are in millimeters.

Specify size and type of fitting.  
 4" (100) "NO-HUB" WITH 2" (76) VENT  
 4" (100) "NO-HUB" WITH 4" (100) VENT

DRAWING NUMBER: S0611Y-KW  
 SIZE: A  
 SCALE: NONE  
 DATE: 04/23/01  
 APPROVED BY: AM  
 CHECKED BY: CR  
 DRAWN BY: JU  
 FIGURE NUMBER: 0611Y-KW

WE CAN ASSUME NO RESPONSIBILITY FOR USE OF SUPERSEDED OR VOID DATA  
 DIMENSIONS ARE SUBJECT TO MANUFACTURERS TOLERANCE AND CHANGE WITHOUT NOTICE

<b>C</b>	9-27-10	Added ® to LABOR SAVER & logo	<b>RN</b>	<b>CL</b>	WEIGHT POUNDS	VOLUME CUBIC FEET	<b>FIGURE NUMBER</b> <b>0611Y-KW</b>
<b>B</b>	12/05/02	Revised per George Flegel	<b>JJ</b>	<b>AM</b>			
<b>A</b>	07/31/02	Revised View	<b>JJ</b>	<b>AM</b>			
REV.	DATE	DESCRIPTION	BY	CKD. BY			