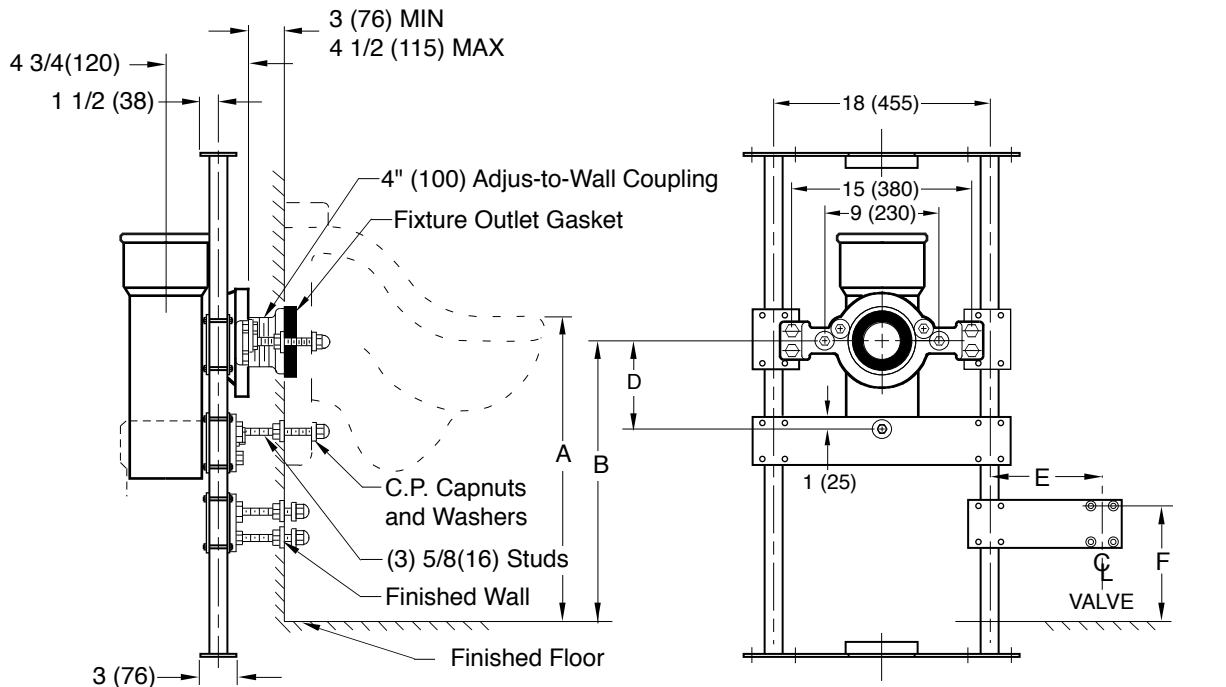


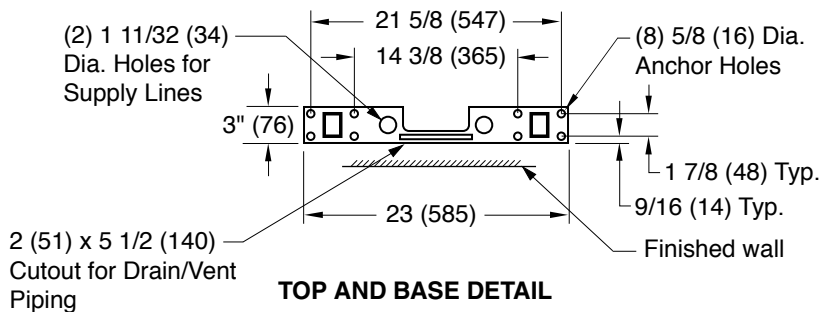
LABOR SAVER® URINAL SUPPORTS FOR OFF-THE-FLOOR URINALS

WITH SUPPORTING STUDS AND WASTE FITTING, ADJUSTABLE COUPLING



NOTE: The rough-in dimensions listed on this drawing are based on current information available to Jay R. Smith by the fixture manufacturers. We recommend that you verify these dimensions with the fixture manufacturer. We will not accept responsibility for rough-in dimension changes by the fixture manufacturer.

NOTE: The water closet gasket regularly furnished is made of molded neoprene and designed to fit water closet outlet dimensions and configurations shown in ANSI Standard A112.19.2M-1982, Figure 13B. If gasket is not found to be compatible to fixture due to non conformance of said fixture to ANSI A112.19.2M, then fixture manufacturer shall be consulted for a suitable gasket recommendation. Jay R. Smith assumes no liability for connections to fixtures which do not conform to these standards.



ROUGH-IN TABLE

FIXTURE MFG.	NAME	NUMBER	SIZE	A	B	D	E	F

NOTE: Dimensions shown in parentheses are in millimeters.

Specify size and type of fitting.

	4" (100) CAULK WITH 2" (76) VENT
	4" (100) CAULK WITH 4" (100) VENT

DRAWING NUMBER: S0611-KW
 SIZE: A
 SCALE: NONE
 DATE: 04/23/01
 APPROVED BY: AM
 CHECKED BY: CR
 DRAWN BY: JU
 FIGURE NUMBER: 0611-KW
 DIMENSIONS ARE SUBJECT TO MANUFACTURERS TOLERANCE AND CHANGE WITHOUT NOTICE

C	9-27-10	Added ® to LABOR SAVER & logo	RN	CL	WEIGHT POUNDS	VOLUME CUBIC FEET	FIGURE NUMBER
B	12/05/02	Revised per George Flegel	JJ	AM			0611-KW
A	07/31/02	Revised View	JJ	AM			
REV.	DATE	DESCRIPTION	BY	CKD. BY			