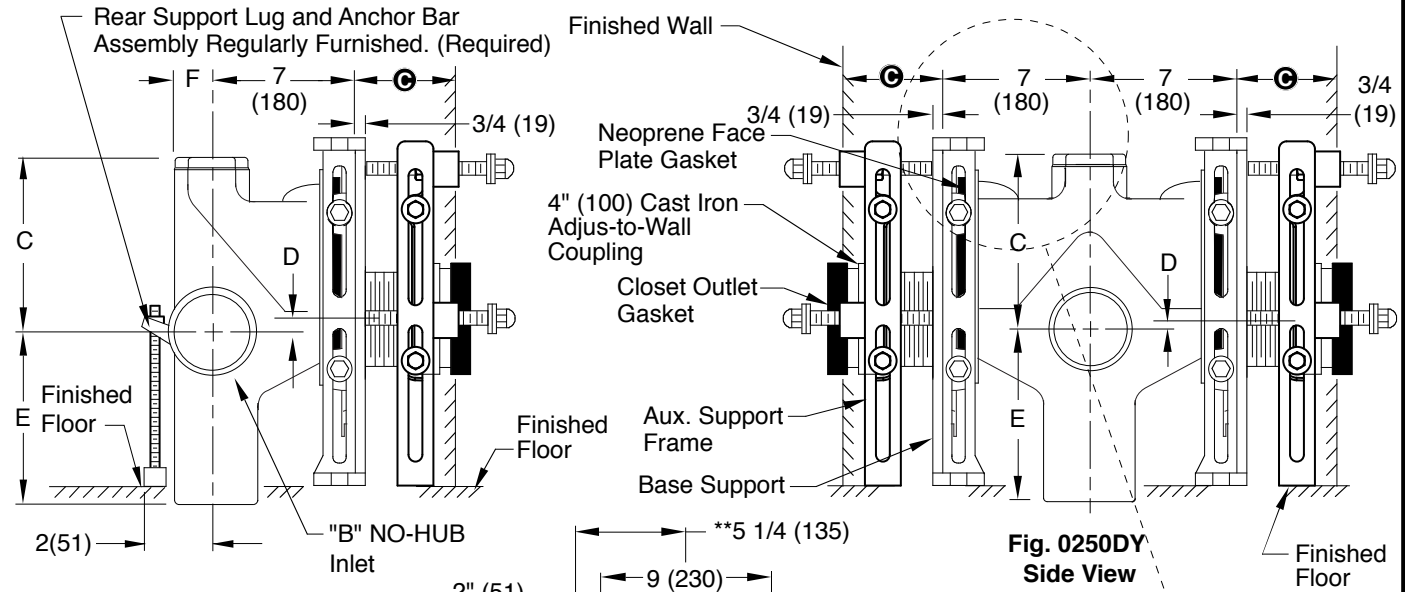


# ADJUSTABLE FIXTURE SUPPORTS

## FOR SIPHON JET WATER CLOSETS - SHALLOW ROUGH-IN TYPE

### NO-HUB VERTICAL FITTINGS WITH TWO SIDE INLETS

### BARIATRIC DUTY - 1000 LBS.



**Fig. 0250Y Side View**

Fig. 0250Y-M58-M54-XK. . .NO-HUB  
 Fig. 0250DY-M58-M54-XK. . .NO-HUB Double

**Jay R. Smith 0250Y-M58-M54-XK complies with and/or exceeds all requirements of ASME A112.6.1M up to 1000 lbs.**

**NOTE:** Base support must be securely anchored to floor with 1/2" (13) anchors able to withstand a pull-out force of 500 lbs (227 kg). The rear anchor bar must be securely anchored to floor with 1/2" (13) anchors able to withstand a pull-out force of 1000 lbs (454 kg). Pull-out forces are calculated values, no safety factor has been applied.

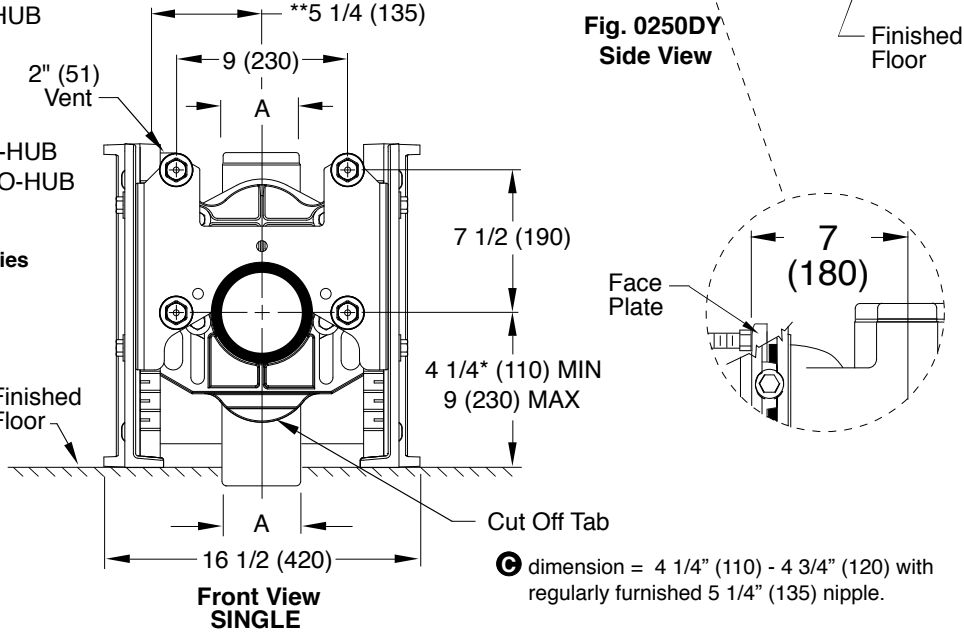
**NOTE:** Shallower minimum rough-in dimension to accommodate lower rough bowls available. Specify dimension required.

**NOTE:** C of stack to end of NO-HUB side inlet in 5" (125).

**NOTE:** Dimensions shown in parentheses are in millimeters.

**NOTE:** 9" (230) core drilled hole is required for rough-in 4 1/4 (110) thru 6 1/2 (165).

**NOTE:** \*\* dimension is from centerline of vent to centerline of stack.



A x B Size	C	D		E	F
		MIN	MAX		
4 (100) x 4 (100)	9 (230)	1 1/2 (38)	4 1/4 (110)	14 (355)	2 1/4 (57)
5 (125) x 4 (100)	11 1/2 (290)	1 1/2 (38)	4 1/4 (110)	11 1/2 (290)	2 3/4 (70)
5 (125) x 5 (125)	11 1/2 (290)	1 1/2 (38)	4 1/4 (110)	11 1/2 (290)	2 3/4 (70)
6 (150) x 4 (100)	11 1/2 (290)	1 1/2 (38)	4 1/4 (110)	11 1/2 (290)	3 1/4 (83)
6 (150) x 5 (125)	11 1/2 (290)	1 1/2 (38)	4 1/4 (110)	11 1/2 (290)	3 1/4 (83)

DRAWING NUMBER: S0250Y-M58-M54-XK  
 SIZE: A  
 SCALE: NONE  
 DATE: 10/10/07  
 APPROVED BY: CL  
 CHECKED BY: CL  
 DRAWN BY: JJ  
 FIGURE NUMBER: 0250Y-M58-M54-XK

WE CAN ASSUME NO RESPONSIBILITY FOR USE OF SUPERSEDED OR VOID DATA  
 DIMENSIONS ARE SUBJECT TO MANUFACTURERS TOLERANCE AND CHANGE WITHOUT NOTICE

REV.	DATE	DESCRIPTION	BY	CKD. BY	WEIGHT POUNDS	VOLUME CUBIC FEET	FIGURE NUMBER
	11/20/09	3/4 (19) was 1/2 (13)	JJ	CL			<b>0250Y-M58-M54-XK</b>
	10/08/08	Corrected Support Views	JJ	CL			
	5-13-08	Revised Note	TBW	CL			
	04/08/08	Revised "C" dimension	JJ	CL			

DRAWING NUMBER  
**S0250Y-M58-M54-XK-BS**

SIZE  
**A**

SCALE:  
**NONE**

DATE:  
**6-12-08**

APPROVED BY:  
**CL**

CHECKED BY:  
**CL**

DRAWN BY:  
**WAS**

**0250Y-M58-M54-XK**  
**BACK SHEET**

FIGURE NUMBER

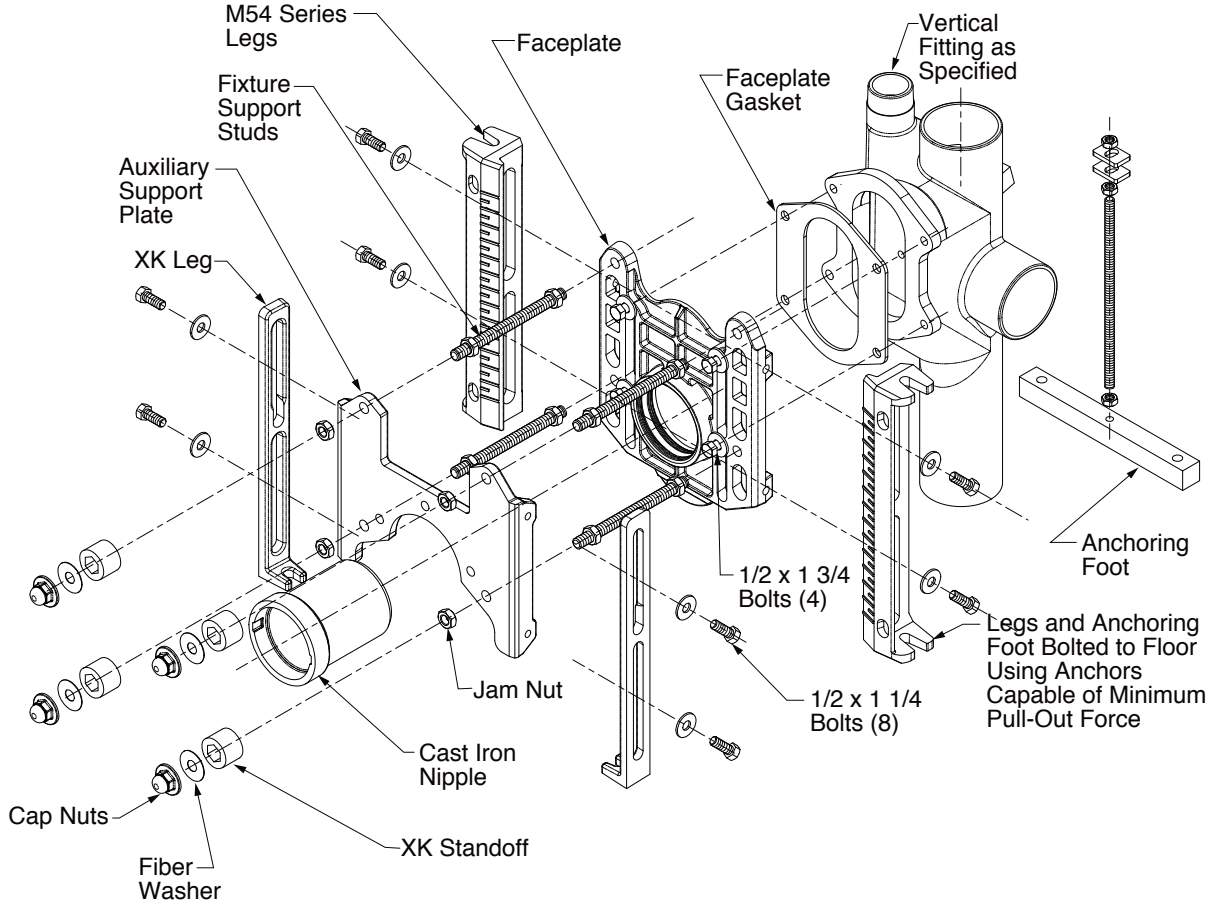
WE CAN ASSUME NO RESPONSIBILITY FOR USE OF SUPERSEDED OR VOID DATA

DIMENSIONS ARE SUBJECT TO MANUFACTURERS TOLERANCE AND CHANGE WITHOUT NOTICE

# ADJUSTABLE FIXTURE SUPPORTS

## FOR SIPHON JET WATER CLOSETS - SHALLOW ROUGH-IN TYPE

### NO-HUB VERTICAL FITTINGS WITH TWO SIDE INLETS BARIATRIC DUTY - 1000 LBS.



REV.	DATE	DESCRIPTION	BY	CKD. BY

WEIGHT  
 POUNDS

VOLUME  
 CUBIC FEET

FIGURE NUMBER  
**0250Y**  
**-M58-M54-XK-BS**