



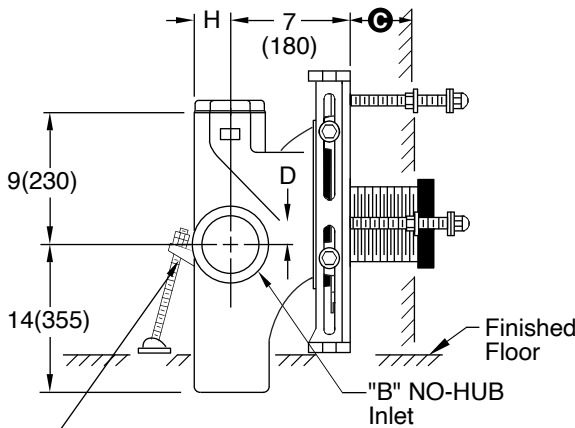
**JAY R. SMITH MFG. CO.**  
 MEMBER OF MORRIS GROUP INTERNATIONAL  
 POST OFFICE BOX 3237  
 MONTGOMERY, ALABAMA 36109-0237 (USA)  
 TEL: 334-277-8520 FAX: 888-377-7818 www.jrsmith.com



LOCATION

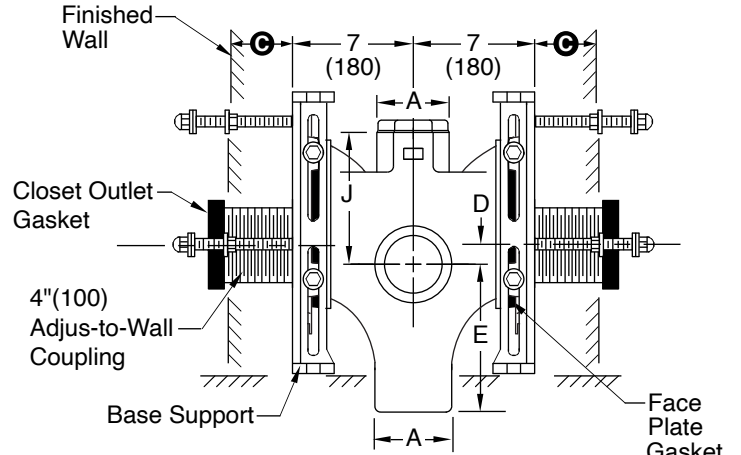
# ADJUSTABLE FIXTURE SUPPORTS SHALLOW ROUGH-IN

## NO-HUB VERTICAL FITTINGS WITH SIDE INLET

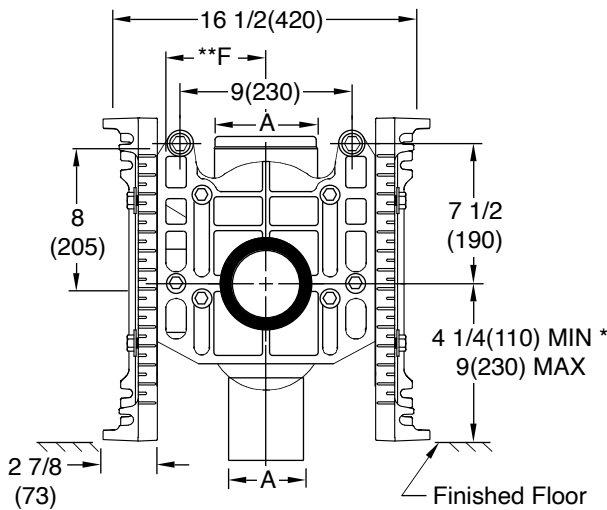


**Fig. 0240LY-M58-M54  
Side View**

Rear Support Lug and -M51 Anchor Foot Assembly Regularly Furnished. (Required)



**Fig. 0240DY-M58-M54  
Side View**



**Front View**

- Fig. 0240LY-M58-M54 . . . NO-HUB L.H. Inlet
- Fig. 0240RY-M58-M54 . . . NO-HUB R.H. Inlet
- Fig. 0240DY-M58-M54 . . . NO-HUB Double Inlet

A x B SIZE	D		E	**F	H	J
	MIN	MAX				
4(100) x 4(100)	1 1/2(38)	4 1/4(110)	14(355)	5 1/4(135)	2 1/4(57)	9(230)
5(125) x 4(100)	1 1/2(38)	4 1/4(110)	11 1/2(290)	6 1/2(165)	2 3/4(70)	11 1/2(290)
5(125) x 5(125)	1 1/2(38)	4 1/4(110)	11 1/2(290)	6 1/2(165)	2 3/4(70)	11 1/2(290)
6(150) x 4(100)	1 1/2(38)	4 1/4(110)	11 1/2(290)	6 1/4(160)	3 1/4(83)	11 1/2(290)
6(150) x 5(125)	1 1/2(38)	4 1/2(115)	11 1/2(290)	6 1/4(160)	3 1/4(83)	11 1/2(290)

NOTE: Base support must be securely anchored to floor with two 1/2"(13) bolts provided by contractor.

NOTE: Shallower minimum rough-in dimension to accommodate lower rough bowls available. Specify dimension required.

NOTE: 1 1/2"(38) or 2"(51) tapped inlet available. Add suffix -N.

NOTE: \*9"(230) core drilled hole is required for rough-in 4 1/4(110) thru 6 1/2(165).

⊙ dimension = 3 1/4" (83) - 9 3/4" (247) with regularly furnished 10" (255) nipple. The threaded end of nipple must be cut to specified length required by others.

NOTE: Dimensions shown in parentheses are in millimeters.

\*\* dimension is from centerline of vent to centerline of stack.

DRAWING NUMBER  
S0240Y-M58-M54

SIZE  
A

SCALE:  
NONE

DATE:  
9-11-08

APPROVED BY:  
CL

CHECKED BY:  
CL

DRAWN BY:  
RN

0240Y-M58-M54

FIGURE NUMBER

REV.	DATE	DESCRIPTION	BY	CKD. BY
B A	8-19-20 11/20/09	Revised Drawing 3/4 (19) was 1/2 (13)	MW JJ	CL CL

WEIGHT POUNDS	VOLUME CUBIC FEET

FIGURE NUMBER
<b>0240Y-M58-M54</b>



WARNING: Cancer and Reproductive Harm - www.P65Warnings.ca.gov

WE CAN ASSUME NO RESPONSIBILITY FOR USE OF SUPERSEDED OR VOID DATA

DIMENSIONS ARE SUBJECT TO MANUFACTURERS TOLERANCE AND CHANGE WITHOUT NOTICE