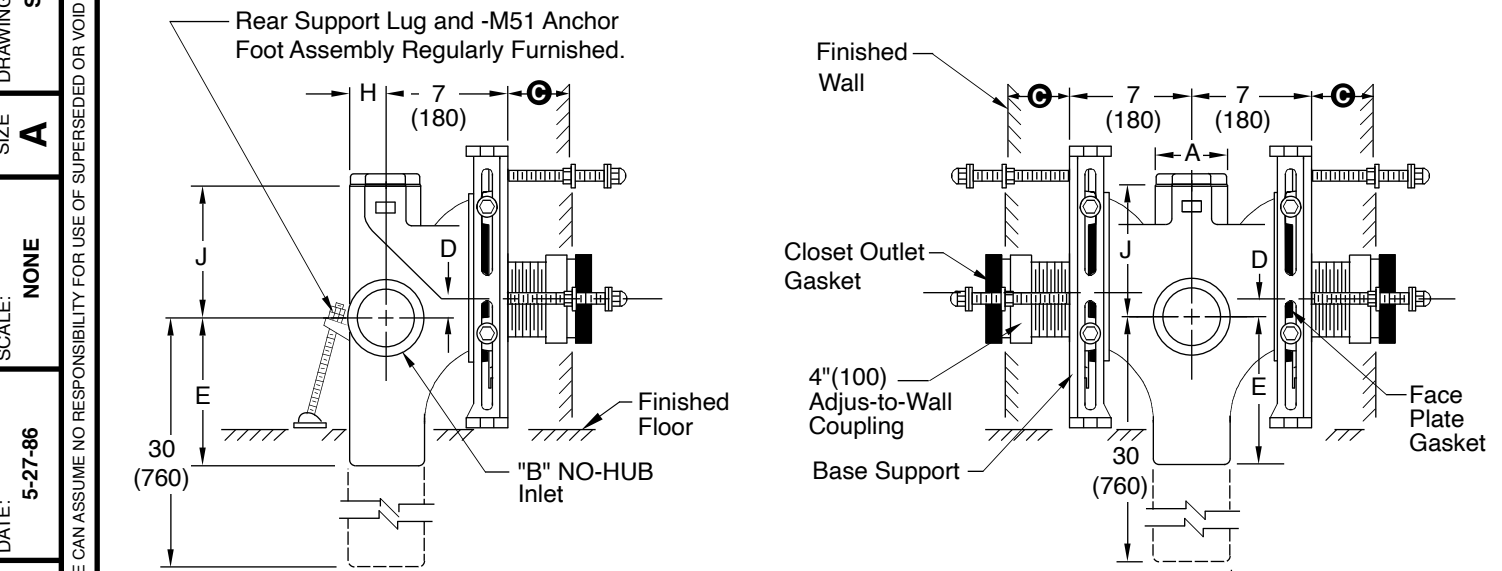


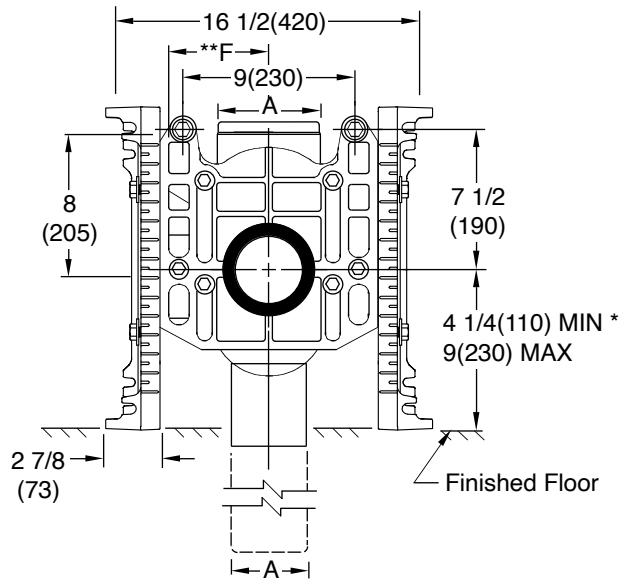
ADJUSTABLE FIXTURE SUPPORTS SHALLOW ROUGH-IN

NO-HUB VERTICAL FITTINGS WITH SIDE INLET



**Fig. 0240LY (-M54)
Side View**

**Fig. 0240DY (-M54)
Side View**



Front View

- Fig. 0240LY (-M54) NO-HUB L.H. Inlet
- Fig. 0240RY (-M54) NO-HUB R.H. Inlet
- Fig. 0240DY (-M54) NO-HUB Double Inlet
- Fig. 0270LY (-M54) NO-HUB L.H. Inlet Long Barrel
- Fig. 0270RY (-M54) NO-HUB R.H. Inlet Long Barrel
- Fig. 0270DY (-M54) NO-HUB Double Inlet Long Barrel

NOTE: Base support must be securely anchored to floor (with four 1/2"(13) bolts provided by contractor).

NOTE: Shallower minimum rough-in dimension to accommodate lower rough bowls available. Specify dimension required.

NOTE: 1 1/2"(38) or 2"(51) tapped inlet available. Add suffix -N.

NOTE: *9"(230) core drilled hole is required for rough-in 4 1/4(110) thru 6 1/2(165).

⊕ dimension = 4"(100) (regularly furnished) consisting of nipple and Adjus-to-Wall coupling permitting adjustment from 3"(76) min. to 4"(100) max.

NOTE: Dimensions shown in parentheses are in millimeters.

A x B SIZE	D		E	**F	H	J
	MIN	MAX				
4(100) x 4(100)	1 1/2(38)	4 1/4(110)	14(355)	5 1/4(135)	2 1/4(57)	9(230)
5(125) x 4(100)	1 1/2(38)	4 1/4(110)	11 1/2(290)	6 1/2(165)	2 3/4(70)	11 1/2(290)
5(125) x 5(125)	1 1/2(38)	4 1/4(110)	11 1/2(290)	6 1/2(165)	2 3/4(70)	11 1/2(290)
6(150) x 4(100)	1 1/2(38)	4 1/4(110)	11 1/2(290)	6 1/4(160)	3 1/4(83)	11 1/2(290)
6(150) x 5(125)	1 1/2(38)	4 1/2(115)	11 1/2(290)	6 1/4(160)	3 1/4(83)	11 1/2(290)

***F" dimension is from centerline of vent to centerline of stack.

DRAWING NUMBER: S0240Y (-M54)
 SIZE: A
 SCALE: NONE
 DATE: 5-27-86
 APPROVED BY: TD
 CHECKED BY: JD
 DRAWN BY: CM
 FIGURE NUMBER: 0240Y/0270Y (-M54)
 DIMENSIONS ARE SUBJECT TO MANUFACTURERS TOLERANCE AND CHANGE WITHOUT NOTICE
 WE CAN ASSUME NO RESPONSIBILITY FOR USE OF SUPERSEDED OR VOID DATA

REV.	DATE	DESCRIPTION	BY	CKD. BY	WEIGHT POUNDS	VOLUME CUBIC FEET	FIGURE NUMBER 0240Y/0270Y (-M54)
G F E	8-19-20 11/20/09 7-1-04	Revised Drawing 3/4 (19) was 1/2 (13) Revised Front View	MW JJ RN	CL CL AM			