

B

SMITH® JAY R. SMITH MFG. CO.®
 MEMBER OF MORRIS GROUP INTERNATIONAL
 POST OFFICE BOX 3237
 MONTGOMERY, ALABAMA 36109-0237 (USA)
 TEL: 334-277-8520 FAX: 334-272-7396 www.jrsmith.com



LOCATION

DRAWING NUMBER
S0240Y-M58-M54-XX

SIZE
A

SCALE:
NONE

DATE:
10/10/07

APPROVED BY:
CL

CHECKED BY:
CL

DRAWN BY:
JJ

0240Y-M58-M54-XX

WE CAN ASSUME NO RESPONSIBILITY FOR USE OF SUPERSEDED OR VOID DATA
DIMENSIONS ARE SUBJECT TO MANUFACTURERS TOLERANCE AND CHANGE WITHOUT NOTICE

ADJUSTABLE FIXTURE SUPPORTS SHALLOW ROUGH-IN

NO-HUB VERTICAL FITTINGS WITH SIDE INLET EXTRA HEAVY DUTY - 750 LBS.

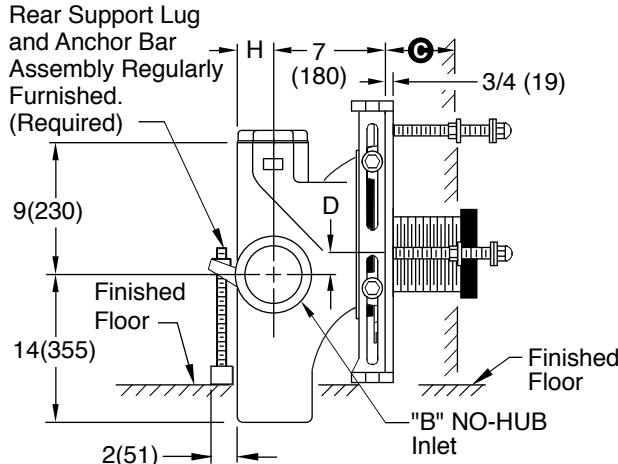


Fig. 0240LY-M58-M54-XX
Side View
SINGLE

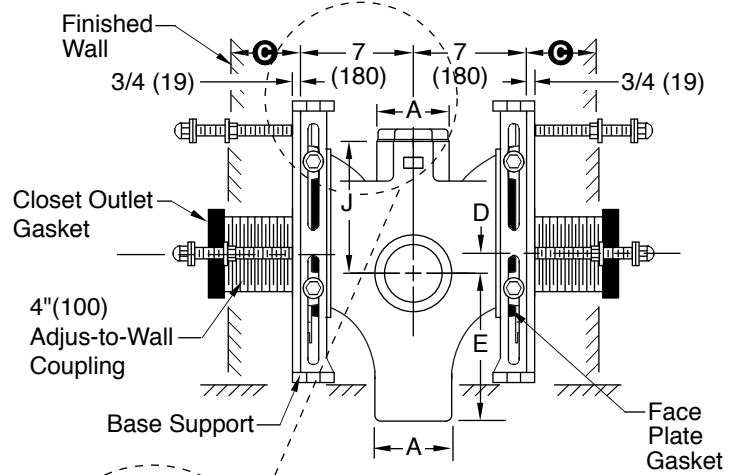
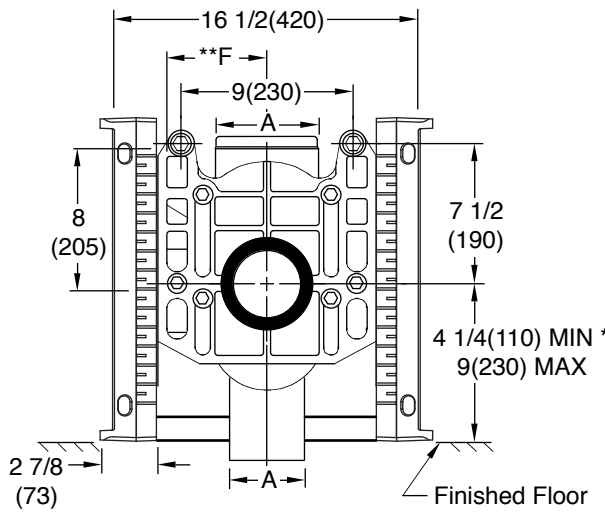
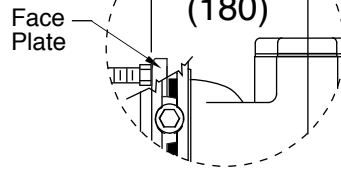


Fig. 0240DY-M58-M54-XX
Side View



Front View
SINGLE

- Fig. 0240LY-M58-M54-XX . . . NO-HUB L.H. Inlet
- Fig. 0240RY-M58-M54-XX . . . NO-HUB R.H. Inlet
- Fig. 0240DY-M58-M54-XX . . . NO-HUB Double Inlet

Jay R. Smith 0240Y-M58-M54-XX complies with and/or exceeds all requirements of ASME A112.6.1M up to 750 lbs.

A x B SIZE	D		E	**F	H	
	MIN	MAX				
4(100) x 4(100)	1 1/2(38)	4 1/4(110)	14(355)	5 1/4(135)	2 1/4(57)	9(230)
5(125) x 4(100)	1 1/2(38)	4 1/4(110)	11 1/2(290)	6 1/2(165)	2 3/4(70)	11 1/2(290)
5(125) x 5(125)	1 1/2(38)	4 1/4(110)	11 1/2(290)	6 1/2(165)	2 3/4(70)	11 1/2(290)
6(150) x 4(100)	1 1/2(38)	4 1/4(110)	11 1/2(290)	6 1/4(160)	3 1/4(83)	11 1/2(290)
6(150) x 5(125)	1 1/2(38)	4 1/2(115)	11 1/2(290)	6 1/4(160)	3 1/4(83)	11 1/2(290)

NOTE: Base support must be securely anchored to floor with 1/2" (13) anchors able to withstand a pull-out force of 500 lbs (227 kg). The rear anchor bar must be securely anchored to floor with 1/2" (13) anchors able to withstand a pull-out force of 1000 lbs (454 kg). Pull-out forces are calculated values, no safety factor has been applied.

NOTE: Shallower minimum rough-in dimension to accommodate lower rough bowls available. Specify dimension required.

NOTE: 1 1/2"(38) or 2"(51) tapped inlet available. Add suffix -N.

NOTE: *9"(230) core drilled hole is required for rough-in 4 1/4(110) thru 6 1/2(165).

Ⓞ Dimension = 3 1/4" (83) - 9 3/4" (247) with regularly furnished 10" (255) nipple. The threaded end of nipple must be cut to specified length required by others.

NOTE: Dimensions shown in parentheses are in millimeters.

** dimension is from centerline of vent to centerline of stack.

REV.	DATE	DESCRIPTION	BY	CKD. BY
B	11/20/09	3/4 (19) was 1/2 (13)	JJ	CL
A	5-13-08	Revised Note	TBW	CL

WEIGHT POUNDS	VOLUME CUBIC FEET
------------------	----------------------

FIGURE NUMBER 0240Y-M58-M54-XX
