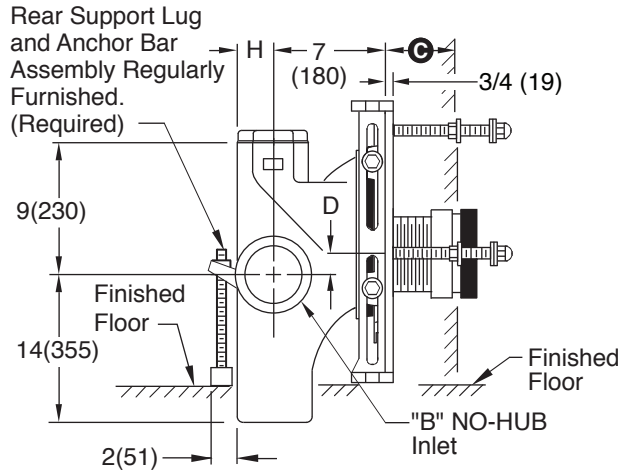
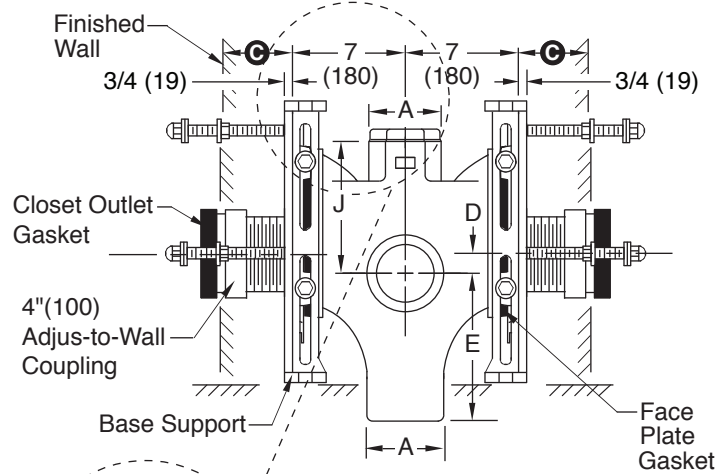


ADJUSTABLE FIXTURE SUPPORTS SHALLOW ROUGH-IN

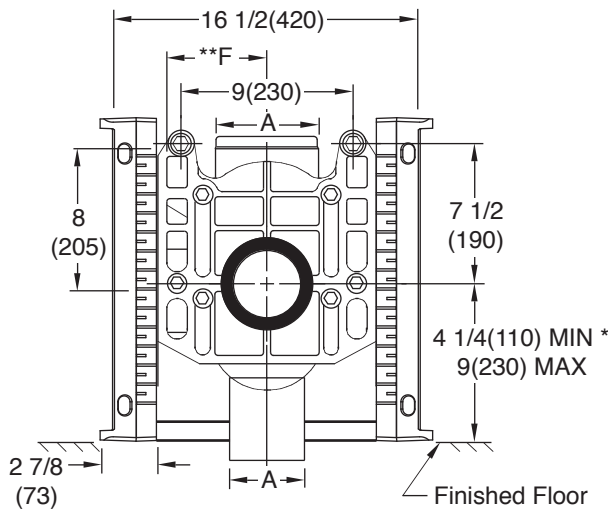
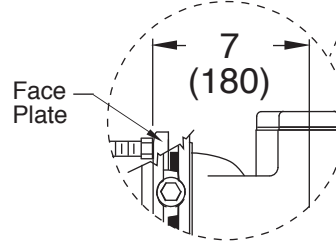
NO-HUB VERTICAL FITTINGS WITH SIDE INLET EXTRA HEAVY DUTY - 750 LBS.



**Fig. 0240LY-M54-XX
Side View
SINGLE**



**Fig. 0240DY-M54-XX
Side View**



**Front View
SINGLE**

- Fig. 0240LY-M54-XX . . . NO-HUB L.H. Inlet
- Fig. 0240RY-M54-XX . . . NO-HUB R.H. Inlet
- Fig. 0240DY-M54-XX . . . NO-HUB Double Inlet

Jay R. Smith 0240Y-M54-XX complies with and/or exceeds all requirements of ASME A112.6.1M up to 750 lbs.

A x B SIZE	D		E	**F	H	J
	MIN	MAX				
4(100) x 4(100)	1 1/2(38)	4 1/4(110)	14(355)	5 1/4(135)	2 1/4(57)	9(230)
5(125) x 4(100)	1 1/2(38)	4 1/4(110)	11 1/2(290)	6 1/2(165)	2 3/4(70)	11 1/2(290)
5(125) x 5(125)	1 1/2(38)	4 1/4(110)	11 1/2(290)	6 1/2(165)	2 3/4(70)	11 1/2(290)
6(150) x 4(100)	1 1/2(38)	4 1/4(110)	11 1/2(290)	6 1/4(160)	3 1/4(83)	11 1/2(290)
6(150) x 5(125)	1 1/2(38)	4 1/2(115)	11 1/2(290)	6 1/4(160)	3 1/4(83)	11 1/2(290)

NOTE: Base support must be securely anchored to floor with 1/2" (13) anchors able to withstand a pull-out force of 500 lbs (227 kg). The rear anchor bar must be securely anchored to floor with 1/2" (13) anchors able to withstand a pull-out force of 1000 lbs (454 kg). Pull-out forces are calculated values, no safety factor has been applied.

NOTE: Shallower minimum rough-in dimension to accommodate lower rough bowls available. Specify dimension required.

NOTE: 1 1/2"(38) or 2"(51) tapped inlet available. Add suffix -N.

NOTE: *9"(230) core drilled hole is required for rough-in 4 1/4(110) thru 6 1/2(165).

Ⓞ dimension = 4"(100) (regularly furnished) consisting of nipple and Adjus-to-Wall coupling permitting adjustment from 3"(76) min. to 4"(100) max.

NOTE: Dimensions shown in parentheses are in millimeters.

** dimension is from centerline of vent to centerline of stack.

DRAWING NUMBER: S0240Y-M54-XX

SCALE: NONE

DATE: 10/08/07

APPROVED BY: CL

CHECKED BY: CL

DRAWN BY: JJ

FIGURE NUMBER: 0240Y-M54-XX

WE CAN ASSUME NO RESPONSIBILITY FOR USE OF SUPERSEDED OR VOID DATA

DIMENSIONS ARE SUBJECT TO MANUFACTURERS TOLERANCE AND CHANGE WITHOUT NOTICE

REV.	DATE	DESCRIPTION	BY	CKD. BY	WEIGHT POUNDS	VOLUME CUBIC FEET	FIGURE NUMBER
B	11/20/09	3/4 (19) was 1/2 (13)	JJ	CL			0240Y-M54-XX
A	5-13-08	Revised Note	TBW	CL			