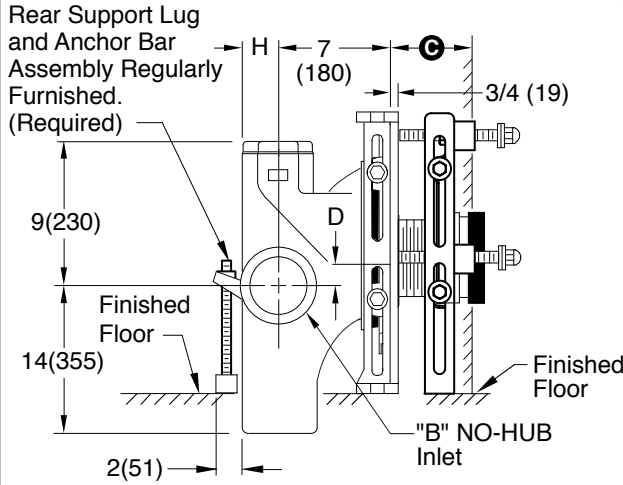
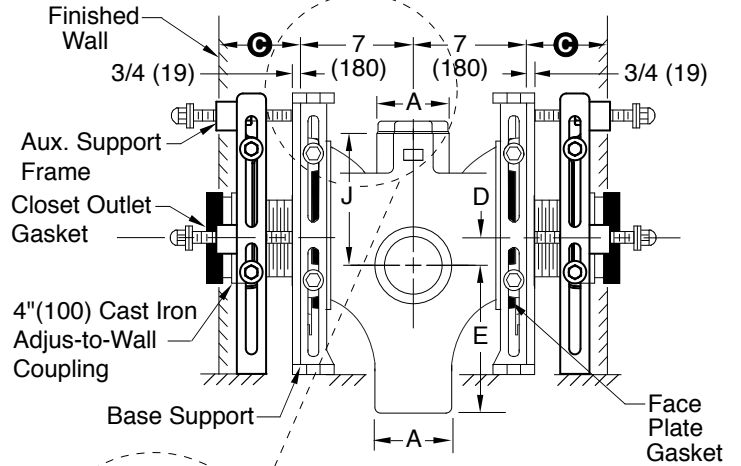


ADJUSTABLE FIXTURE SUPPORTS SHALLOW ROUGH-IN

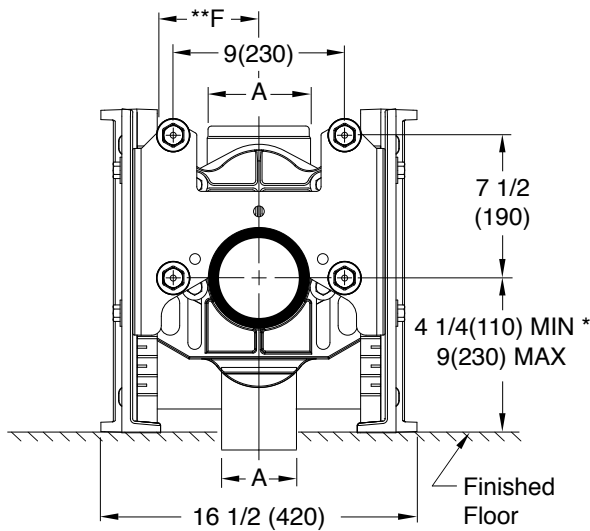
NO-HUB VERTICAL FITTINGS WITH SIDE INLET BARIATRIC DUTY - 1000 LBS.



**Fig. 0240LY-M54-XK
Side View
SINGLE**



**Fig. 0240DY-M54-XK
Side View**



**Front View
SINGLE**

- Fig. 0240LY-M54-XK . . . NO-HUB L.H. Inlet
- Fig. 0240RY-M54-XK . . . NO-HUB R.H. Inlet
- Fig. 0240DY-M54-XK . . . NO-HUB Double Inlet

Jay R. Smith 0240Y-M54-XK complies with and/or exceeds all requirements of ASME A112.6.1M up to 1000 lbs.

A x B SIZE	MIN	D MAX	E	**F	H	J
4(100) x 4(100)	1 1/2(38)	4 1/4(110)	14(355)	5 1/4(135)	2 1/4(57)	9(230)
5(125) x 4(100)	1 1/2(38)	4 1/4(110)	11 1/2(290)	6 1/2(165)	2 3/4(70)	11 1/2(290)
5(125) x 5(125)	1 1/2(38)	4 1/4(110)	11 1/2(290)	6 1/2(165)	2 3/4(70)	11 1/2(290)
6(150) x 4(100)	1 1/2(38)	4 1/4(110)	11 1/2(290)	6 1/4(160)	3 1/4(83)	11 1/2(290)
6(150) x 5(125)	1 1/2(38)	4 1/2(115)	11 1/2(290)	6 1/4(160)	3 1/4(83)	11 1/2(290)

NOTE: Base support must be securely anchored to floor with 1/2" (13) anchors able to withstand a pull-out force of 500 lbs (227 kg). The rear anchor bar must be securely anchored to floor with 1/2" (13) anchors able to withstand a pull-out force of 1000 lbs (454 kg). Pull-out forces are calculated values, no safety factor has been applied.

NOTE: Shallower minimum rough-in dimension to accommodate lower rough bowls available. Specify dimension required.

NOTE: 1 1/2"(38) or 2"(51) tapped inlet available. Add suffix -N.

NOTE: *9"(230) core drilled hole is required for rough-in 4 1/4(110) thru 6 1/2(165).

⊙ dimension = 4 1/4" (110) to 5 1/4" (135) with regularly furnished 4 1/2" (115) cast iron nipple and Adjus-to-Wall coupling.

NOTE: Dimensions shown in parentheses are in millimeters.

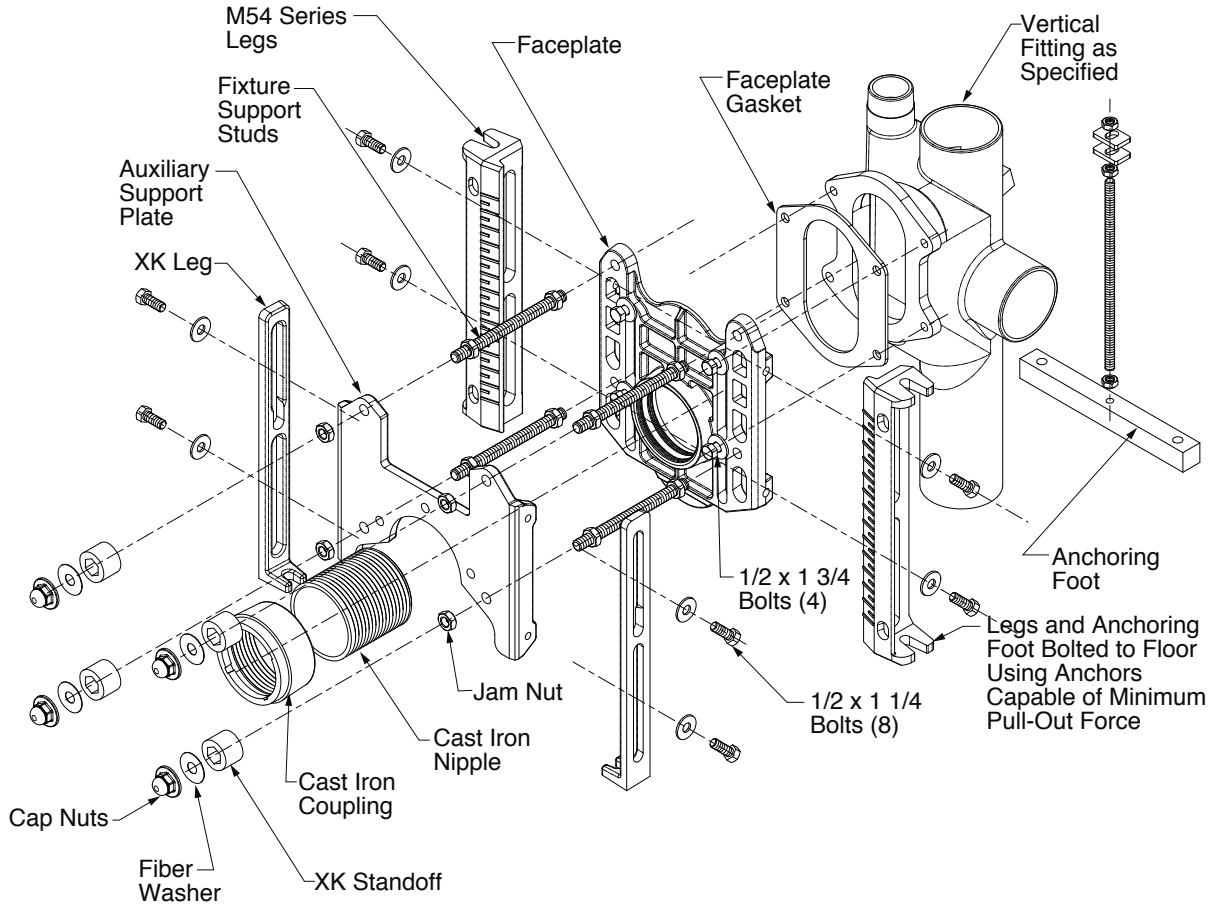
** dimension is from centerline of vent to centerline of stack.

DRAWING NUMBER: S0240Y-M54-XK
 SCALE: NONE
 DATE: 10/08/07
 APPROVED BY: CL
 CHECKED BY: CL
 DRAWN BY: JJ
 0240Y-M54-XK
 DIMENSIONS ARE SUBJECT TO MANUFACTURERS TOLERANCE AND CHANGE WITHOUT NOTICE
 WE CAN ASSUME NO RESPONSIBILITY FOR USE OF SUPERSEDED OR VOID DATA

REV.	DATE	DESCRIPTION	BY	CKD. BY	WEIGHT POUNDS	VOLUME CUBIC FEET	FIGURE NUMBER
D	11/20/09	3/4 (19) was 1/2 (13)	JJ	CL			0240Y-M54-XK
C	10/08/08	Corrected Support Views	JJ	CL			
B	5-13-08	Revised Note	TBW	CL			
A	04/08/08	Revised "C" dimension	JJ	CL			

ADJUSTABLE FIXTURE SUPPORTS SHALLOW ROUGH-IN

NO-HUB VERTICAL FITTINGS WITH SIDE INLET BARIATRIC DUTY - 1000 LBS.



DRAWING NUMBER: S0240Y-M54-XK-BS
 SIZE: A
 SCALE: NONE
 DATE: 6-12-07
 APPROVED BY: CL
 CHECKED BY: CL
 DRAWN BY: WAS
 DIMENSIONS ARE SUBJECT TO MANUFACTURERS TOLERANCE AND CHANGE WITHOUT NOTICE
 WE CAN ASSUME NO RESPONSIBILITY FOR USE OF SUPERSEDED OR VOID DATA

**0240Y-M54-XK
BACK SHEET**

FIGURE NUMBER	A	04/23/09	Revised Coupling Mat'l	JJ	CL
REV.	DATE	DESCRIPTION	BY	CKD. BY	

WEIGHT POUNDS	VOLUME CUBIC FEET	FIGURE NUMBER
		0240Y -M54-XK-BS