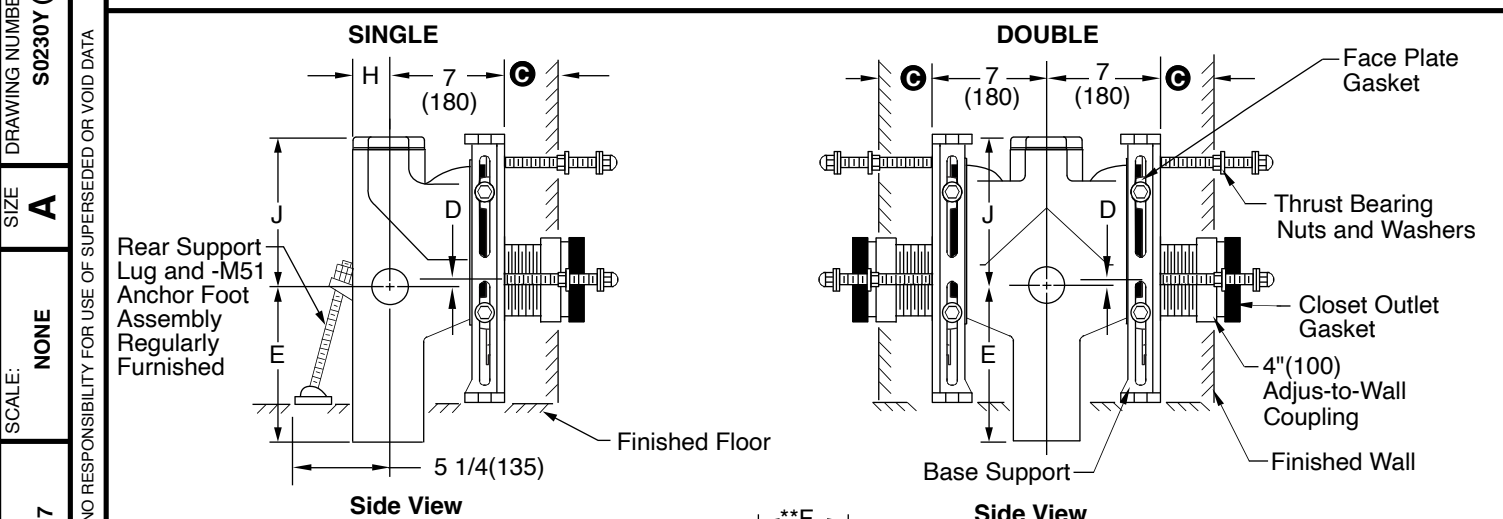


ADJUSTABLE FIXTURE SUPPORTS FOR SIPHON JET WATER CLOSETS



A SIZE	D		E	**F	H	J
	MIN	MAX				
4(100)	1 1/2(38)	4 1/4(110)	14(355)	5 1/4(135)	2 1/4(57)	9(230)
5(125)	1 1/2(38)	4 1/4(110)	11 1/2(290)	6 1/4(160)	2 3/4(70)	11 1/2(290)
6(150)	1 1/2(38)	4 1/4(110)	11 1/2(290)	6 1/4(160)	3 1/4(83)	11 1/2(290)

NOTE: Base support must be firmly anchored to floor with bolts provided by contractor.

NOTE: All single supports shall have the rear support lug anchored by the contractor to assure a rigid installation. The rear support completes the 3-point anchoring system for ultimate stability of the installation.

NOTE: When used with concealed flush valve locate face plate behind supply pipe.

NOTE: Shallower minimum rough-in dimension available to accommodate lower rough bowls. Specify dimension required.

NOTE: 1 1/2(38) or 2(51) NPT inlet available. Add suffix -N

***NOTE:** 9"(230) core drilled hole is required for rough-in 4 1/4(110) thru 6 1/2(165)

****NOTE:** "F" dimension is from centerline of vent to centerline of stack.

Fig. 0230Y (-M54) . . . NO-HUB
Fig. 0230DY (-M54) . . . NO-HUB DOUBLE

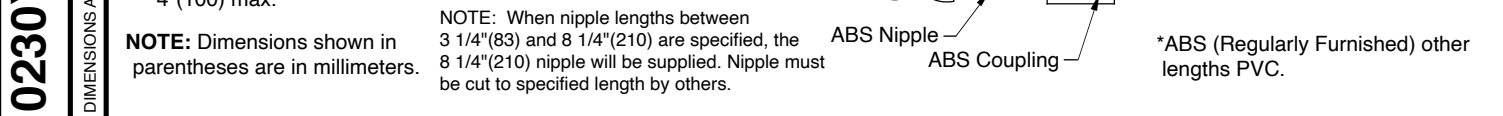
⊙ DIMENSION - ADJUS-TO-WALL TYPE OUTLET CONNECTION

The Smith Adjus-to-Wall outlet connection provides adjustment at the face of the wall at the time the fixture is set; thus, compensating for wall construction variations. The ⊙ dimension is measured from the front of the face plate to the finished wall. To properly determine the length of nipple required, deduct 1"(25) from the ⊙ dimension. The Adjus-to-Wall coupling will provide 1/2"(13) horizontal adjustment in either direction with the coupling extended 5/16"(8) past face of the finished wall.

⊙ dimension = 4"(100) (regularly furnished) consisting of nipple and Adjus-to-Wall coupling permitting adjustment from 3"(76) min. to 4"(100) max.

NOTE: Dimensions shown in parentheses are in millimeters.

NOTE: When nipple lengths between 3 1/4"(83) and 8 1/4"(210) are specified, the 8 1/4"(210) nipple will be supplied. Nipple must be cut to specified length by others.



LENGTH	MIN.	⊙	MAX.
2 1/2(64)	2 1/4(57)	⊙	3 1/4(83)
*3 1/4(83)	3(76)	⊙	4(100)
*8 1/4(210)	8(205)	⊙	9(230)
10(255)	9 3/4(250)	⊙	10 3/4(275)
12(305)	11 3/4(300)	⊙	12 3/4(325)
15(380)	14 3/4(375)	⊙	15 3/4(400)
18(455)	17 3/4(450)	⊙	18 3/4(475)

*ABS (Regularly Furnished) other lengths PVC.

DRAWING NUMBER: S0230Y (-M54)

SIZE: A

SCALE: NONE

DATE: 9-2-87

APPROVED BY: CR

CHECKED BY: BS

DRAWN BY: WAS

FIGURE NUMBER: 0230Y (-M54)

WE CAN ASSUME NO RESPONSIBILITY FOR USE OF SUPERSEDED OR VOID DATA

DIMENSIONS ARE SUBJECT TO MANUFACTURERS TOLERANCE AND CHANGE WITHOUT NOTICE