

# ADJUSTABLE FIXTURE SUPPORTS FOR SIPHON JET WATER CLOSETS

## NO-HUB VERTICAL FITTINGS BARIATRIC DUTY - 1000 LBS.

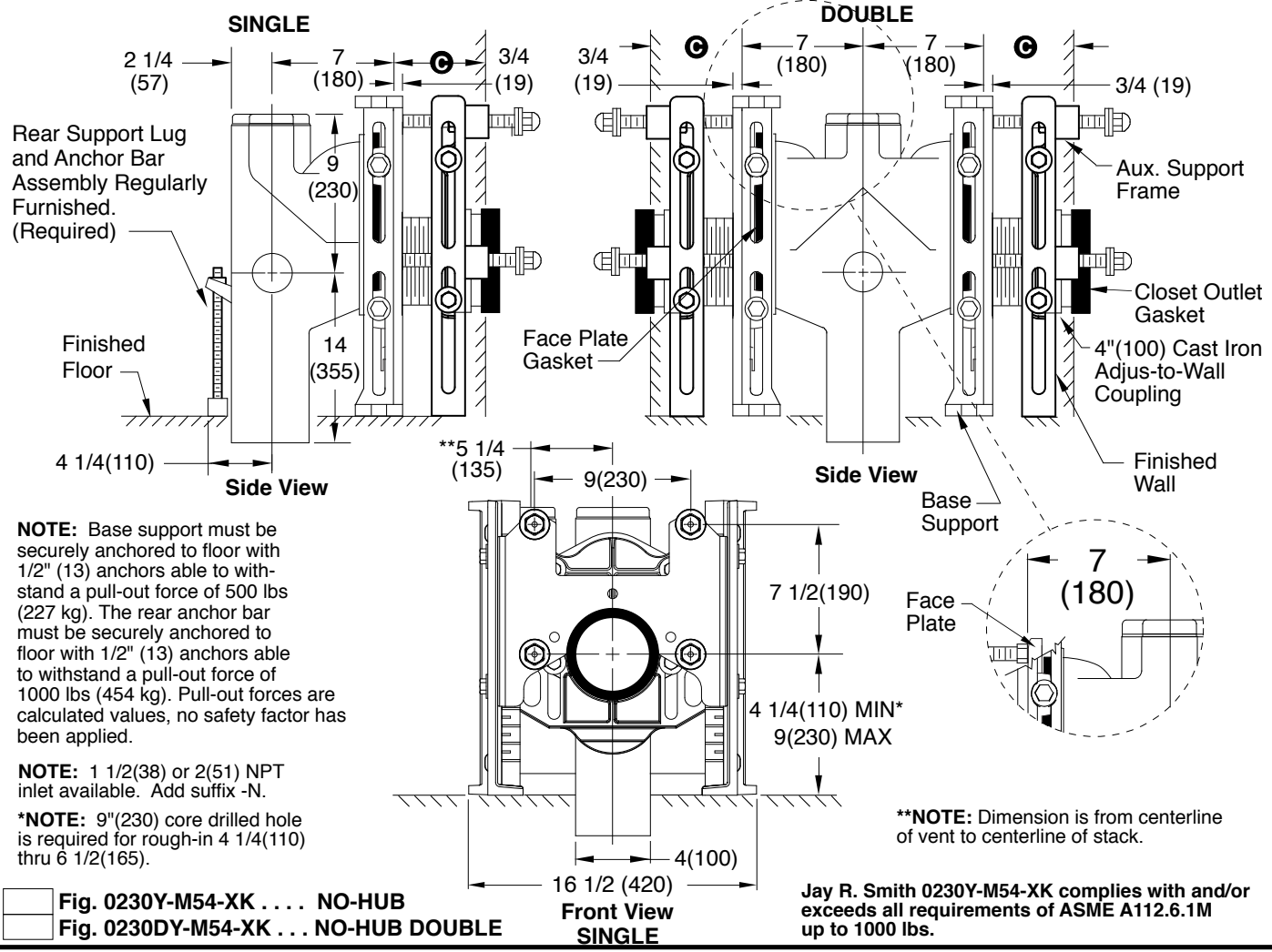


Fig. 0230Y-M54-XK . . . NO-HUB  
 Fig. 0230DY-M54-XK . . . NO-HUB DOUBLE

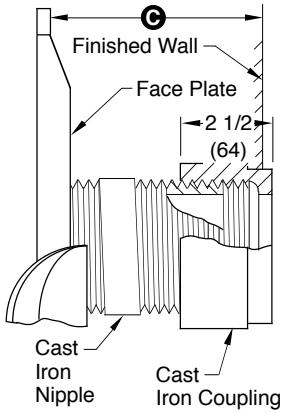
Jay R. Smith 0230Y-M54-XK complies with and/or exceeds all requirements of ASME A112.6.1M up to 1000 lbs.

**Ⓞ DIMENSION - ADJUS-TO-WALL TYPE OUTLET CONNECTION**  
 The Smith Adjus-to-Wall outlet connection provides adjustment at the face of the wall at the time the fixture is set; thus, compensating for wall construction variations. The Ⓞ dimension is measured from the front of the face plate to the finished wall. To properly determine the length of nipple required, deduct 1"(25) from the Ⓞ dimension. The Adjus-to-Wall coupling will provide 1/2"(13) horizontal adjustment in either direction with the coupling extended 5/16"(8) past face of the finished wall.

**Ⓞ dimension = 4"(100) (regularly furnished) consisting of cast iron nipple and Adjus-to-Wall coupling permitting adjustment from 3"(76) min. to 4"(100) max.**

**NOTE:** Dimensions shown in parentheses are in millimeters.

**NOTE:** dimension = 4 1/4" (110) to 5 1/4" (135) with regularly furnished 4 1/2" (115) cast iron nipple and Adjus-to-Wall coupling.



NIPPLE LENGTHS AVAILABLE

LENGTH	MIN.	Ⓞ	MAX.
4 1/2(115)	4 1/4(110)		5 1/4(135)
8 1/4(210)	8(205)		9(230)
10(255)	9 3/4(250)		10 3/4(275)
12(305)	11 3/4(300)		12 3/4(325)
15(380)	14 3/4(375)		15 3/4(400)
18(455)	17 3/4(450)		18 3/4(475)

E  
 DRAWING NUMBER  
 S0230Y-M54-XK  
 SIZE  
 A  
 SCALE:  
 NONE  
 DATE:  
 10/08/07  
 APPROVED BY:  
 CL  
 CHECKED BY:  
 CL  
 DRAWN BY:  
 JJ  
 DIMENSIONS ARE SUBJECT TO MANUFACTURERS TOLERANCE AND CHANGE WITHOUT NOTICE  
 WE CAN ASSUME NO RESPONSIBILITY FOR USE OF SUPERSEDED OR VOID DATA  
 FIGURE NUMBER  
 0230Y-M54-XK

REV.	DATE	DESCRIPTION	BY	CKD. BY
E	11/20/09	3/4 (19) was 1/2 (13)	JJ	CL
D	10/08/08	Corrected Support Views	JJ	CL

WEIGHT POUNDS	VOLUME CUBIC FEET	FIGURE NUMBER
		<b>0230Y-M54-XK</b>



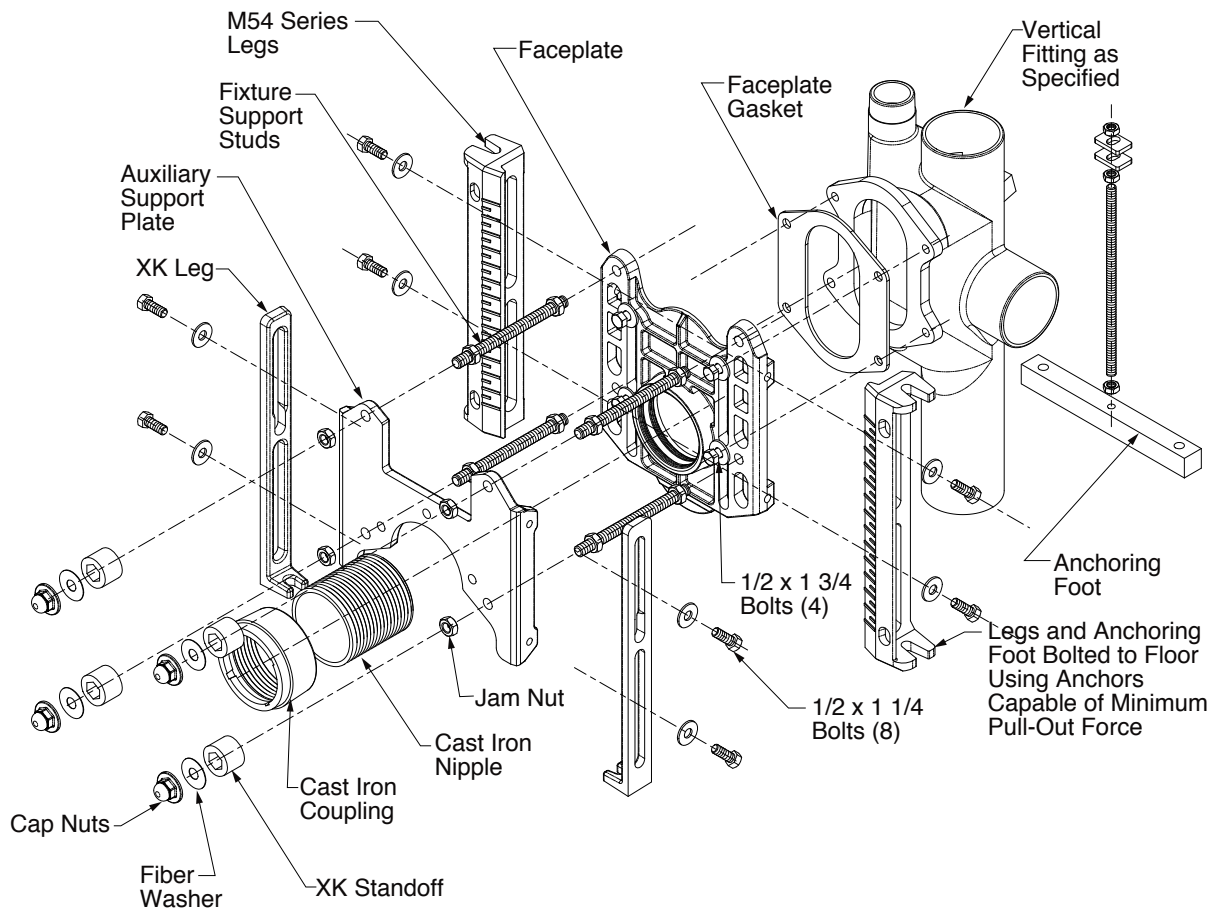
**JAY R. SMITH MFG. CO.**  
 MEMBER OF MORRIS GROUP INTERNATIONAL  
 POST OFFICE BOX 3237  
 MONTGOMERY, ALABAMA 36109-0237 (USA)  
 TEL: 334-277-8520 FAX: 334-272-7396 www.jrsmith.com



LOCATION

# ADJUSTABLE FIXTURE SUPPORTS FOR SIPHON JET WATER CLOSETS

**NO-HUB VERTICAL FITTINGS BARIATRIC DUTY - 1000 LBS.**



DRAWING NUMBER  
**S0230Y-M54-XK-BS**

SIZE  
**A**

SCALE:  
**NONE**

DATE:  
**6-12-07**

APPROVED BY:  
**CL**

CHECKED BY:  
**CL**

DRAWN BY:  
**WAS**

**0230Y-M54-XK  
 BACK SHEET**

FIGURE NUMBER

WE CAN ASSUME NO RESPONSIBILITY FOR USE OF SUPERSEDED OR VOID DATA

<b>A</b>	<b>04/23/09</b>	<b>Revised Coupling Mat'l</b>	<b>JJ</b>	<b>CL</b>
REV.	DATE	DESCRIPTION	BY	CKD. BY

WEIGHT POUNDS	VOLUME CUBIC FEET

**FIGURE NUMBER  
 0230Y  
 -M54-XK-BS**