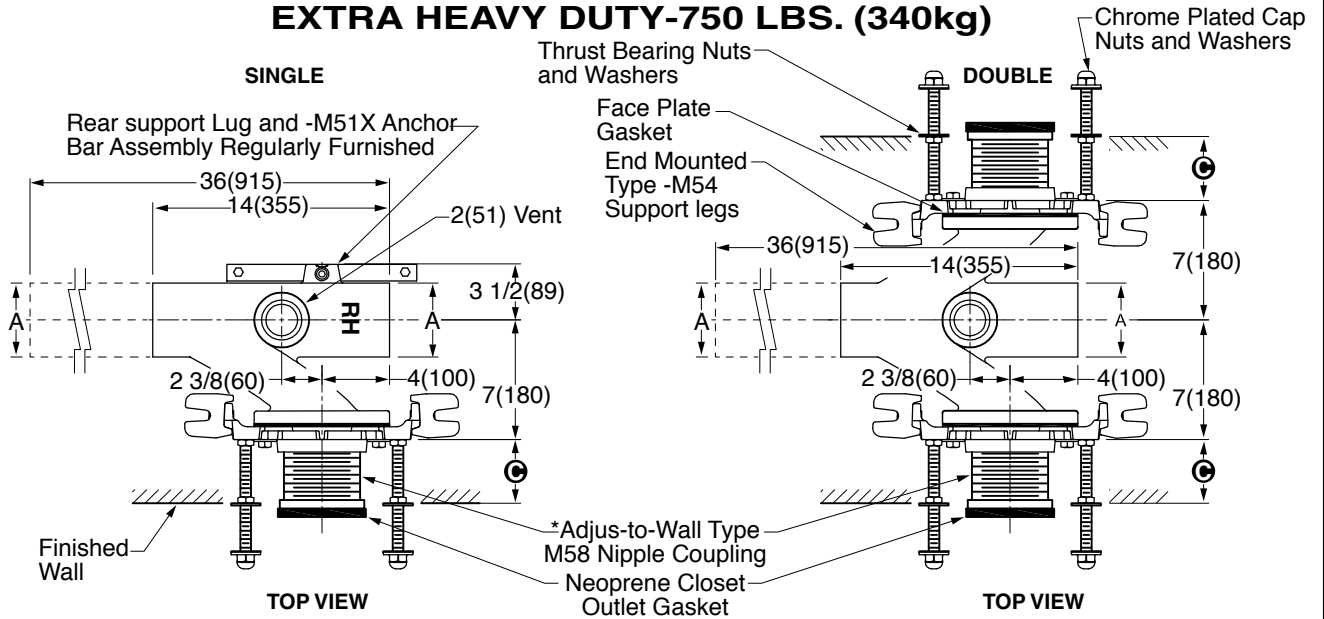


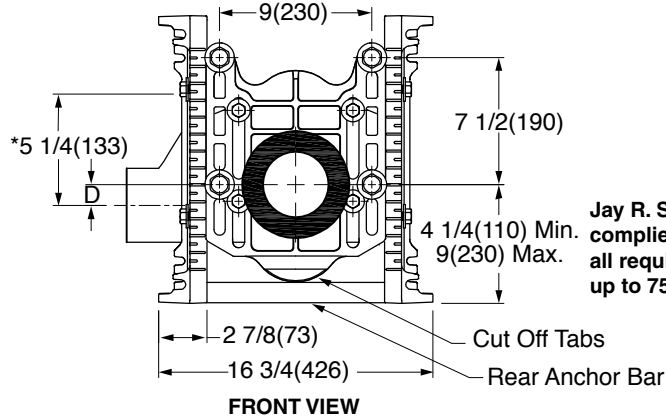
ADJUSTABLE FIXTURE SUPPORTS FOR SIPHON JET WATER CLOSETS

EXTRA HEAVY DUTY-750 LBS. (340kg)



NOTES:

1. Base support must be securely anchored to floor with 1/2"(13) anchors able to withstand a pull-out force of 500 lbs (227 kg). The rear anchor bar must be securely anchored to floor with 1/2"(13) anchors able to withstand a pull-out force of 1000 lbs (454 kg). Pull-out forces are calculated values, no safety factor has been applied.
2. Dimensions shown in parentheses are in millimeters.
3. *Dimension to top of vent.



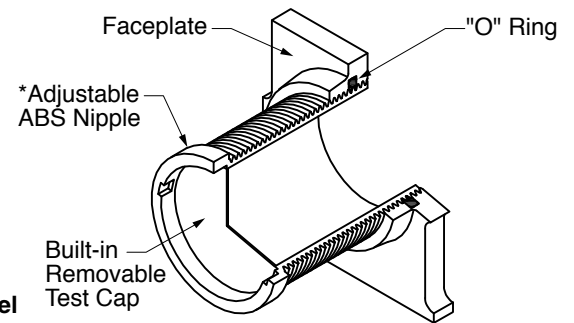
A	D	
SIZE	MIN	MAX
4(100)	5/8(16)	3 3/8(87)

Jay R. Smith 0211Y/0221Y-M58-M54-XX complies with and/or exceeds all requirements of ASME A112.6.1M up to 750 lbs.

*LENGTH	MIN	MAX
10(255)	8 3/4"(222)	9 3/4"(247)

*NOTE: When nipple lengths between 3 1/4"(83) and 9 3/4"(247) are specified, the 10"(255) nipple will be supplied. The threaded end of nipple must be cut to specified length by others.

- Fig. 0211LY -M58-M54-XX NO-HUB Left Hand
- Fig. 0211RY -M58-M54-XX NO-HUB Right Hand
- Fig. 0211DY -M58-M54-XX NO-HUB Double
- Fig. 0221LY -M58-M54-XX NO-HUB Left Hand Long Barrel
- Fig. 0221RY -M58-M54-XX NO-HUB Right Hand Long Barrel
- Fig. 0221DY -M58-M54-XX NO-HUB Double Long Barrel



*ABS (Regularly Furnished)

DRAWING NUMBER: 0211Y, 0221Y -M58-M54-XX
 SIZE: A
 SCALE: NONE
 DATE: 6-21-12
 APPROVED BY: CL
 CHECKED BY: CL
 DRAWN BY: TBW
 DIMENSIONS ARE SUBJECT TO MANUFACTURERS TOLERANCE AND CHANGE WITHOUT NOTICE
 WE CAN ASSUME NO RESPONSIBILITY FOR USE OF SUPERSEDED OR VOID DATA

REV.	DATE	DESCRIPTION	BY	CKD. BY	WEIGHT POUNDS	VOLUME CUBIC FEET	FIGURE NUMBER
D	4-30-18	Clarified Support Lug Part No.	TBW	TK			0211Y -M58-M54-XX 0221Y -M58-M54-XX
C	10-29-14	Added 0221Y-M58-M54-XX	TBW	CL			
B	3-22-13	Rev. Notes, Dim.	TBW	CL			
A	2-26-13	Rev. Fig. No.	TBW	CL			