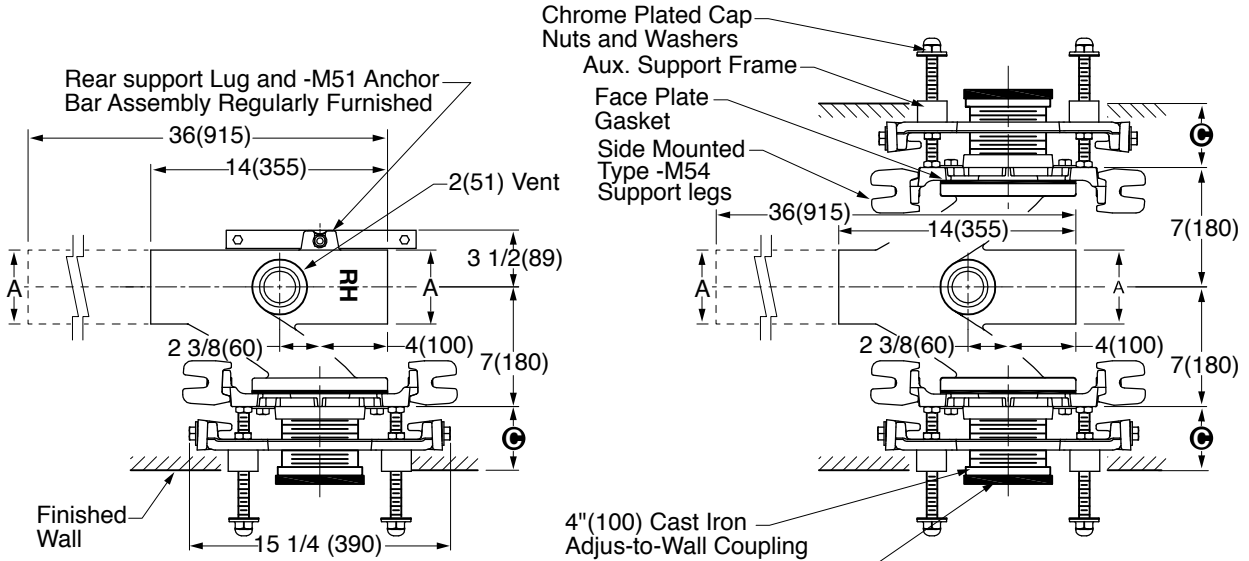


ADJUSTABLE FIXTURE SUPPORTS FOR SIPHON JET WATER CLOSETS

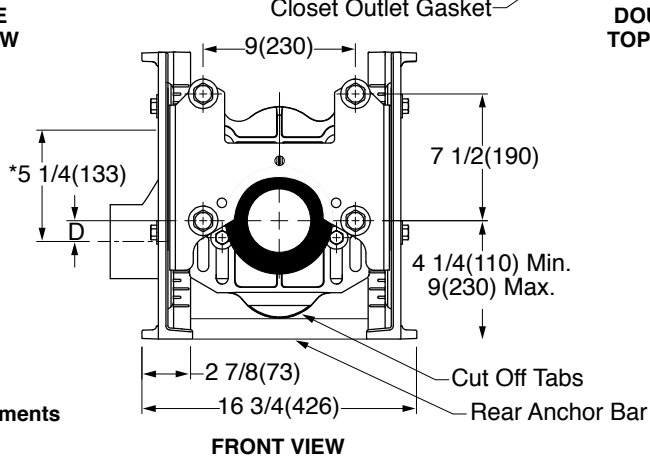
BARIATRIC DUTY - 1000 LBS. (454 KG)



NOTES:

1. Base support must be securely anchored to floor with 1/2" (13) anchors able to withstand a pull-out force of 500 lbs (227 kg). The rear anchor bar must be securely anchored to floor with 1/2" (13) anchors able to withstand a pull-out force of 1000 lbs (454 kg). Pull-out forces are calculated values, no safety factor has been applied.
2. Dimensions shown in parentheses are in millimeters.
3. *Dimension to top of vent.

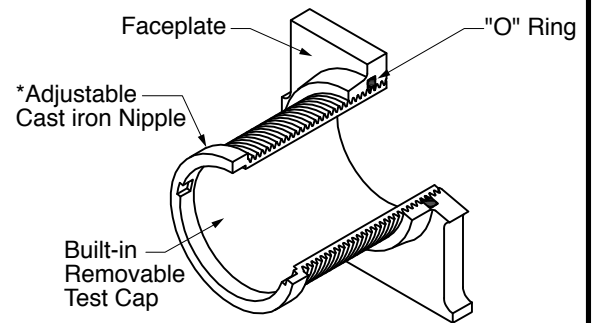
Jay R. Smith 0211Y/0221Y-M58-M54-XK complies with and/or exceeds all requirements of ASME A112.6.1M up to 1000 lbs.



A SIZE	D	
	MIN	MAX
4(100)	5/8(16)	3 3/8(87)

LENGTH	MIN	MAX
5 1/4"(135)	4 1/4"(110)	4 3/4"(120)

- Fig. 0211LY -M58-M54-XKNO-HUB Left Hand
- Fig. 0211RY -M58-M54-XKNO-HUB Right Hand
- Fig. 0211DY -M58-M54-XKNO-HUB Double
- Fig. 0221LY -M58-M54-XKNO-HUB Left Hand Long Barrel
- Fig. 0221RY -M58-M54-XKNO-HUB Right Hand Long Barrel
- Fig. 0221DY -M58-M54-XKNO-HUB Double Long Barrel



DRAWING NUMBER
s0211Y,0221Y -M58-M54-XK

SIZE
A

SCALE:
NONE

DATE:
7-12-11

APPROVED BY:
CL

CHECKED BY:
CL

DRAWN BY:
TBW

FIGURE NUMBER
0211Y -M58-M54-XK
0221Y -M58-M54-XK

WE CAN ASSUME NO RESPONSIBILITY FOR USE OF SUPERSEDED OR VOID DATA

DIMENSIONS ARE SUBJECT TO MANUFACTURERS TOLERANCE AND CHANGE WITHOUT NOTICE

REV.	DATE	DESCRIPTION	BY	CKD. BY
C	10-30-14	Added 0221Y-M58-M54-XK Rev. Notes, Dim. Rev. Fig. No.	TBW	CL
B	3-22-13		TBW	CL
A	2-26-13		TBW	CL

WEIGHT POUNDS	VOLUME CUBIC FEET	FIGURE NUMBER
		0211Y -M58-M54-XK 0221Y -M58-M54-XK

ADJUSTABLE FIXTURE SUPPORTS

FOR SIPHON JET WATER CLOSETS

PARTS LIST FOR NO-HUB HORIZONTAL FITTINGS
BARIATRIC DUTY - 1000 LBS.

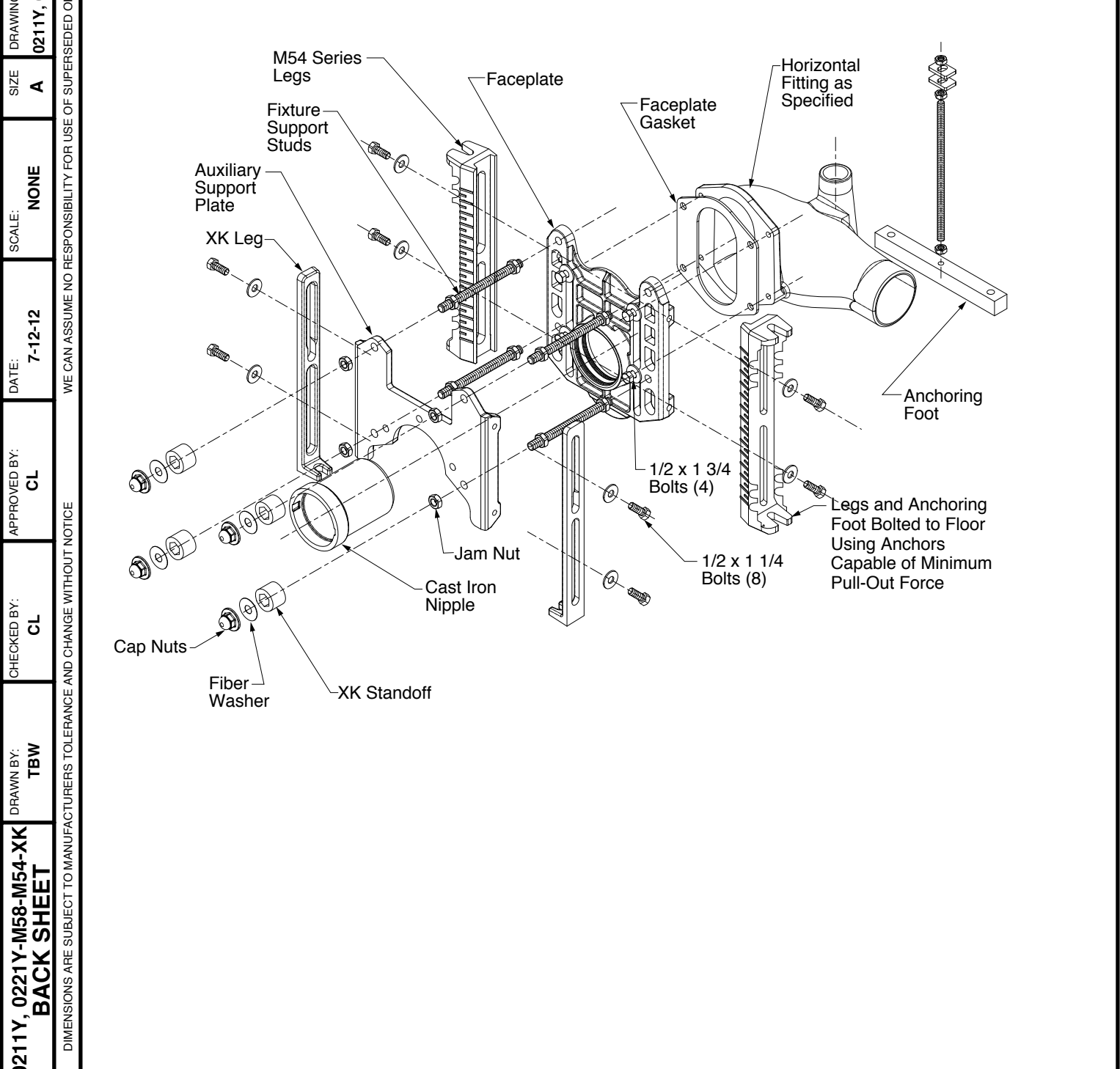


FIGURE NUMBER	A	2-26-13	Rev. Fig. No.	TBW	CL	WEIGHT POUNDS	VOLUME CUBIC FEET	FIGURE NUMBER 0211Y, 0221Y -M58-M54-XK-BS
REV.	DATE	DESCRIPTION			BY			

DRAWING NUMBER: 0211Y, 0221Y-M58-M54-XK-BS

SCALE: NONE

DATE: 7-12-12

APPROVED BY: CL

CHECKED BY: CL

DRAWN BY: TBW

DIMENSIONS ARE SUBJECT TO MANUFACTURERS TOLERANCE AND CHANGE WITHOUT NOTICE

WE CAN ASSUME NO RESPONSIBILITY FOR USE OF SUPERSEDED OR VOID DATA