

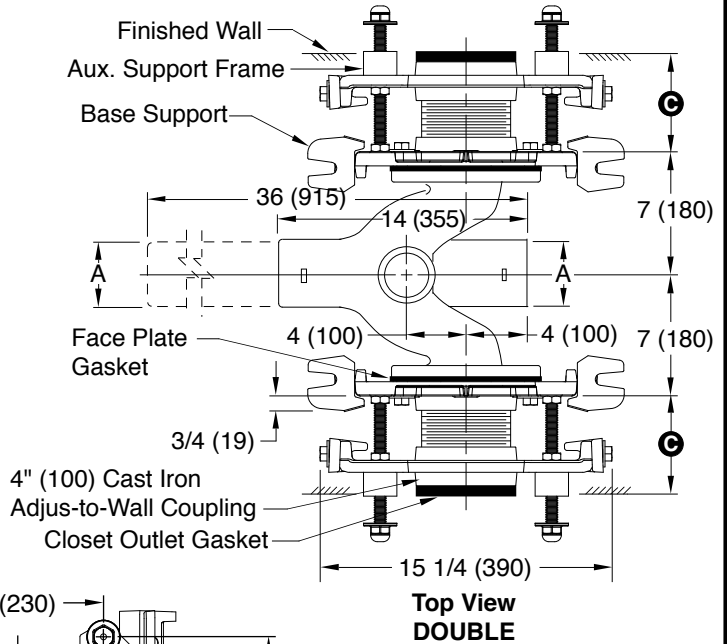
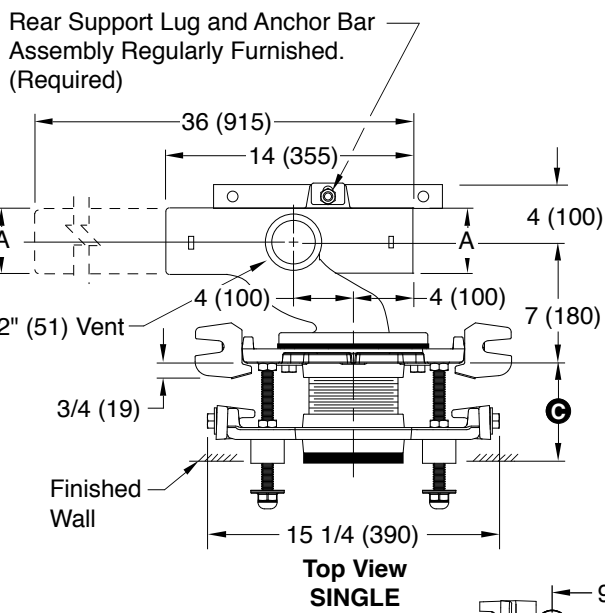
E
 DRAWING NUMBER: **S0210Y, 0220Y-M58-M54-XK**
 SIZE: **A**
 SCALE: **NONE**
 DATE: **10/09/07**
 APPROVED BY: **CL**
 CHECKED BY: **CL**
 DRAWN BY: **JJ**
0210Y, 0220Y-M58-M54-XK

WE CAN ASSUME NO RESPONSIBILITY FOR USE OF SUPERSEDED OR VOID DATA

DIMENSIONS ARE SUBJECT TO MANUFACTURERS TOLERANCE AND CHANGE WITHOUT NOTICE

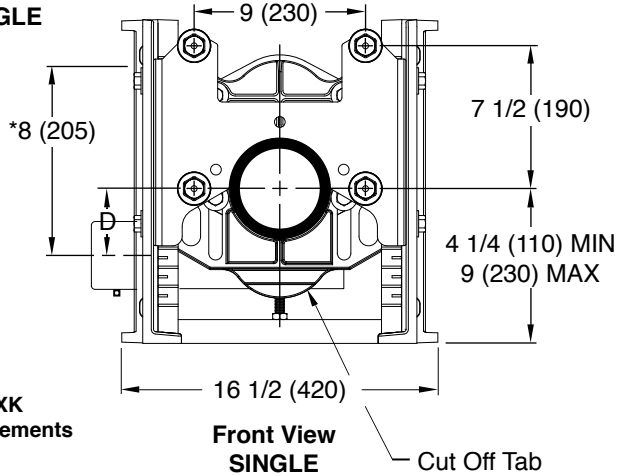
ADJUSTABLE FIXTURE SUPPORTS FOR SIPHON JET WATER CLOSETS

NO-HUB HORIZONTAL FITTINGS BARIATRIC DUTY - 1000 LBS.



NOTE: Base support must be securely anchored to floor with 1/2" (13) anchors able to withstand a pull-out force of 500 lbs (227 kg). The rear anchor bar must be securely anchored to floor with 1/2" (13) anchors able to withstand a pull-out force of 1000 lbs (454 kg). Pull-out forces are calculated values, no safety factor has been applied.

NOTE: Dimensions shown in parentheses are in millimeters.



A SIZE	D	
	MIN	MAX
4 (100)	5/8 (16)	3 1/8 (79)
5 (125)	5/8 (16)	3 1/8 (79)

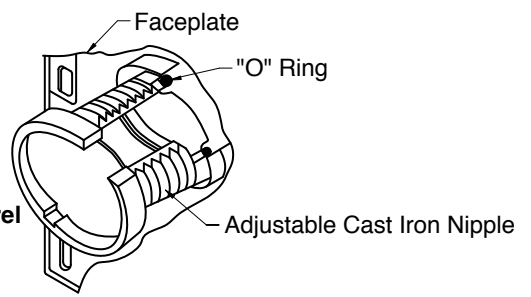
*8 (205) dimension is from centerline of barrel to top of vent.

Ⓢ Dimension = 4 1/4 (110) - 4 3/4 (120) with regularly furnished 5 1/4 (135) cast iron nipple.

Jay R. Smith 0210Y or 0220Y-M58-M54-XK complies with and/or exceeds all requirements of ASME A112.6.1M up to 1000 lbs.

LENGTH	MIN.	Ⓢ	MAX.
5 1/4 (135)	4 1/4" (110)		4 3/4" (120)

- Fig. 0210LY-M58-M54-XK . . . NO-HUB Left Hand
- Fig. 0210RY-M58-M54-XK . . . NO-HUB Right Hand
- Fig. 0210DY-M58-M54-XK . . . NO-HUB Double
- Fig. 0220LY-M58-M54-XK . . . NO-HUB Left Hand Long Barrel
- Fig. 0220RY-M58-M54-XK . . . NO-HUB Right Hand Long Barrel
- Fig. 0220DY-M58-M54-XK . . . NO-HUB Double Long Barrel



REV.	DATE	DESCRIPTION	BY	CKD. BY	WEIGHT POUNDS	VOLUME CUBIC FEET	FIGURE NUMBER
							0210Y, 0220Y -M58-M54-XK

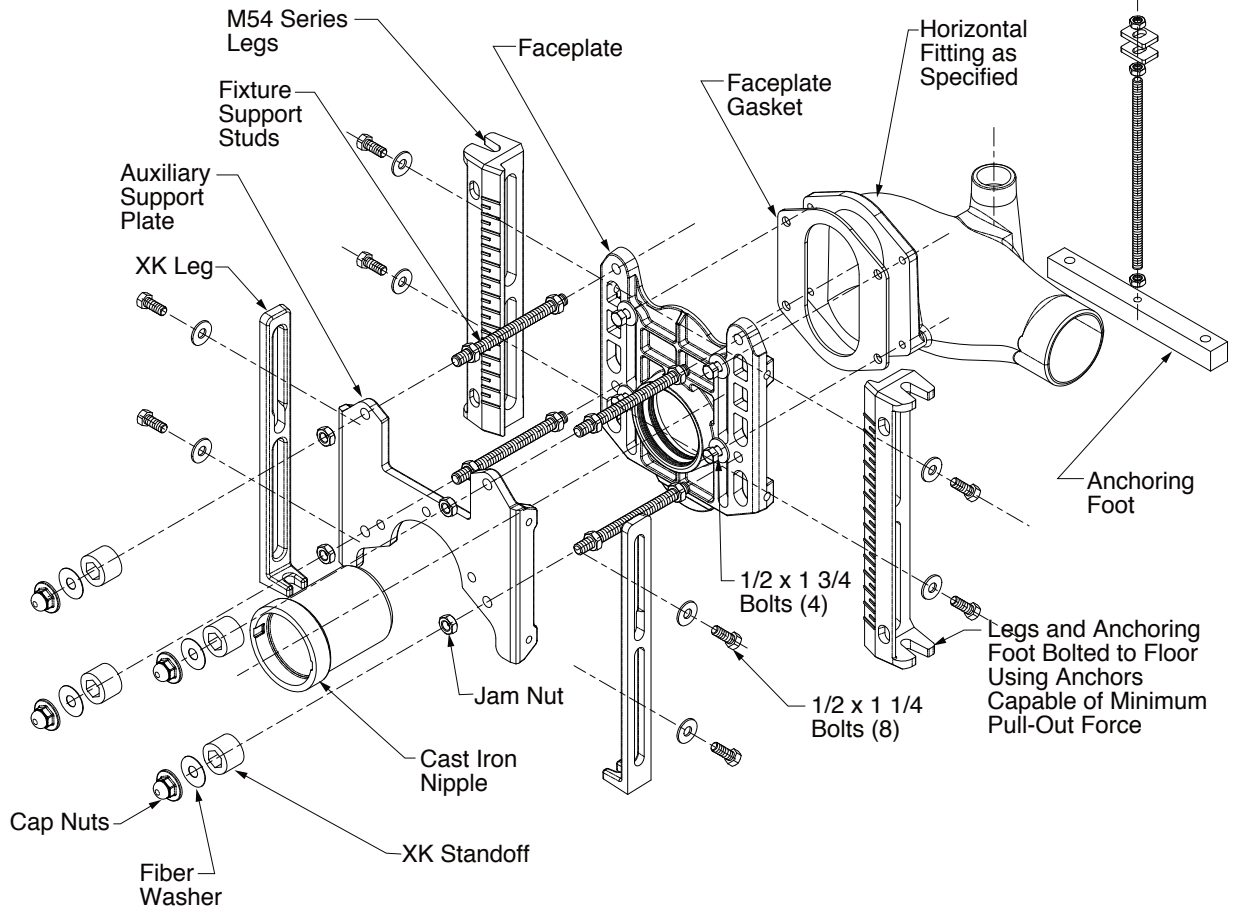


LOCATION

ADJUSTABLE FIXTURE SUPPORTS

FOR SIPHON JET WATER CLOSETS

NO-HUB HORIZONTAL FITTINGS BARIATRIC DUTY - 1000 LBS.



WE CAN ASSUME NO RESPONSIBILITY FOR USE OF SUPERSEDED OR VOID DATA

DRAWING NUMBER: S0210Y, 0220Y-M58-M54-XK-BS
 SIZE: A
 SCALE: NONE
 DATE: 6-12-07
 APPROVED BY: CL
 CHECKED BY: CL
 DRAWN BY: WAS
 0210Y, 0220Y-M58-M54-XK BACK SHEET

REV.	DATE	DESCRIPTION	BY	CKD. BY	WEIGHT POUNDS	VOLUME CUBIC FEET	FIGURE NUMBER
							0210Y, 0220Y -M58-M54-XK-BS