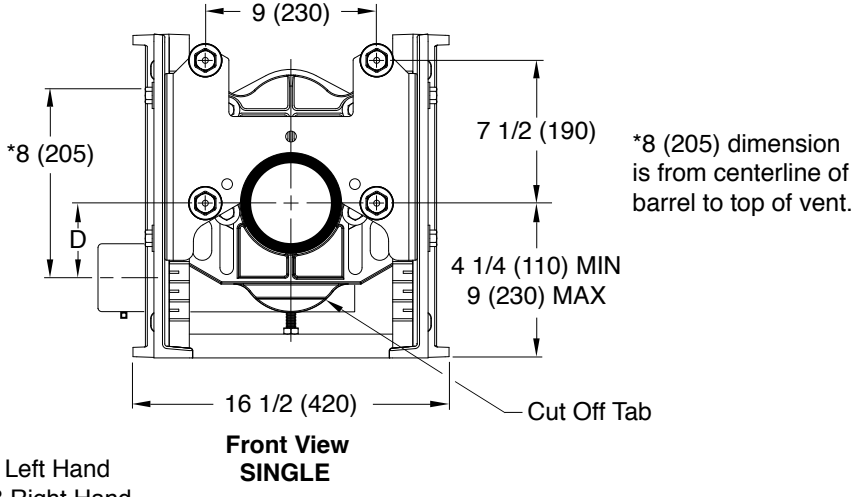
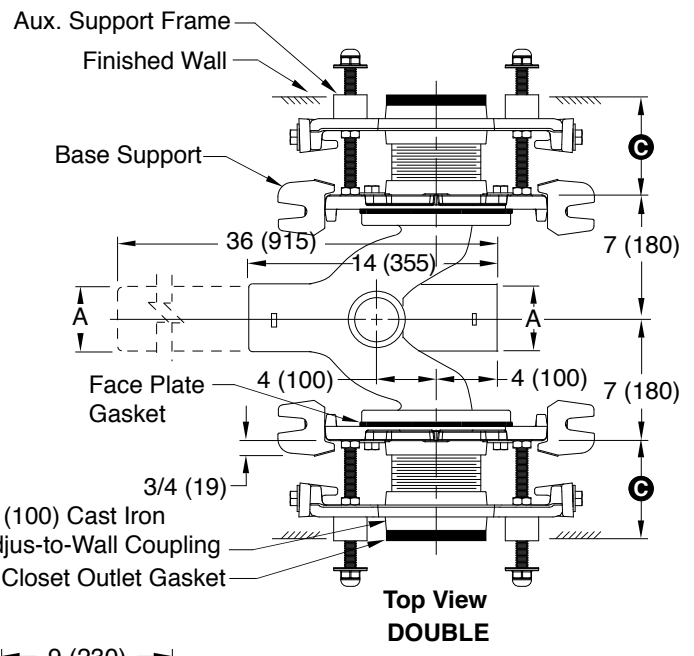
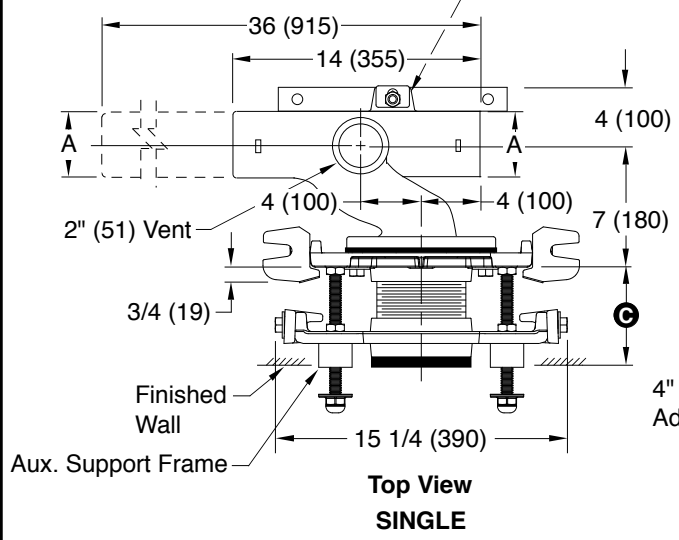


# ADJUSTABLE FIXTURE SUPPORTS FOR SIPHON JET WATER CLOSETS

## NO-HUB HORIZONTAL FITTINGS BARIATRIC DUTY - 1000 LBS.

Rear Support Lug and Anchor Bar Assembly Regularly Furnished. (Required)



**NOTE:** Base support must be securely anchored to floor with 1/2" (13) anchors able to withstand a pull-out force of 500 lbs (227 kg). The rear anchor bar must be securely anchored to floor with 1/2" (13) anchors able to withstand a pull-out force of 1000 lbs (454 kg). Pull-out forces are calculated values, no safety factor has been applied.

**NOTE:** Dimensions shown in parentheses are in millimeters.

- Fig. 0210LY-M54-XK . . . NO-HUB Left Hand
- Fig. 0210RY-M54-XK . . . NO-HUB Right Hand
- Fig. 0210DY-M54-XK . . . NO-HUB Double
- Fig. 0220LY-M54-XK . . . NO-HUB Left Hand Long Barrel
- Fig. 0220RY-M54-XK . . . NO-HUB Right Hand Long Barrel
- Fig. 0220DY-M54-XK . . . NO-HUB Double Long Barrel

A SIZE	D	
	MIN	MAX
4 (100)	5/8 (16)	3 1/8 (79)
5 (125)	5/8 (16)	3 1/8 (79)

⊕ dimension = 4 1/4" (110) to 5 1/4" (135) with regularly furnished 4 1/2" (115) cast iron nipple and Adjus-to-Wall coupling.

Jay R. Smith 0210Y or 0220Y-M54-XK complies with and/or exceeds all requirements of ASME A112.6.1M up to 1000 lbs.

DRAWING NUMBER: S0210Y, 0220Y-M54-XK  
 SIZE: A  
 SCALE: NONE  
 DATE: 10/09/07  
 APPROVED BY: CL  
 CHECKED BY: CL  
 DRAWN BY: JJ  
 FIGURE NUMBER: 0210Y, 0220Y-M54-XK

WE CAN ASSUME NO RESPONSIBILITY FOR USE OF SUPERSEDED OR VOID DATA

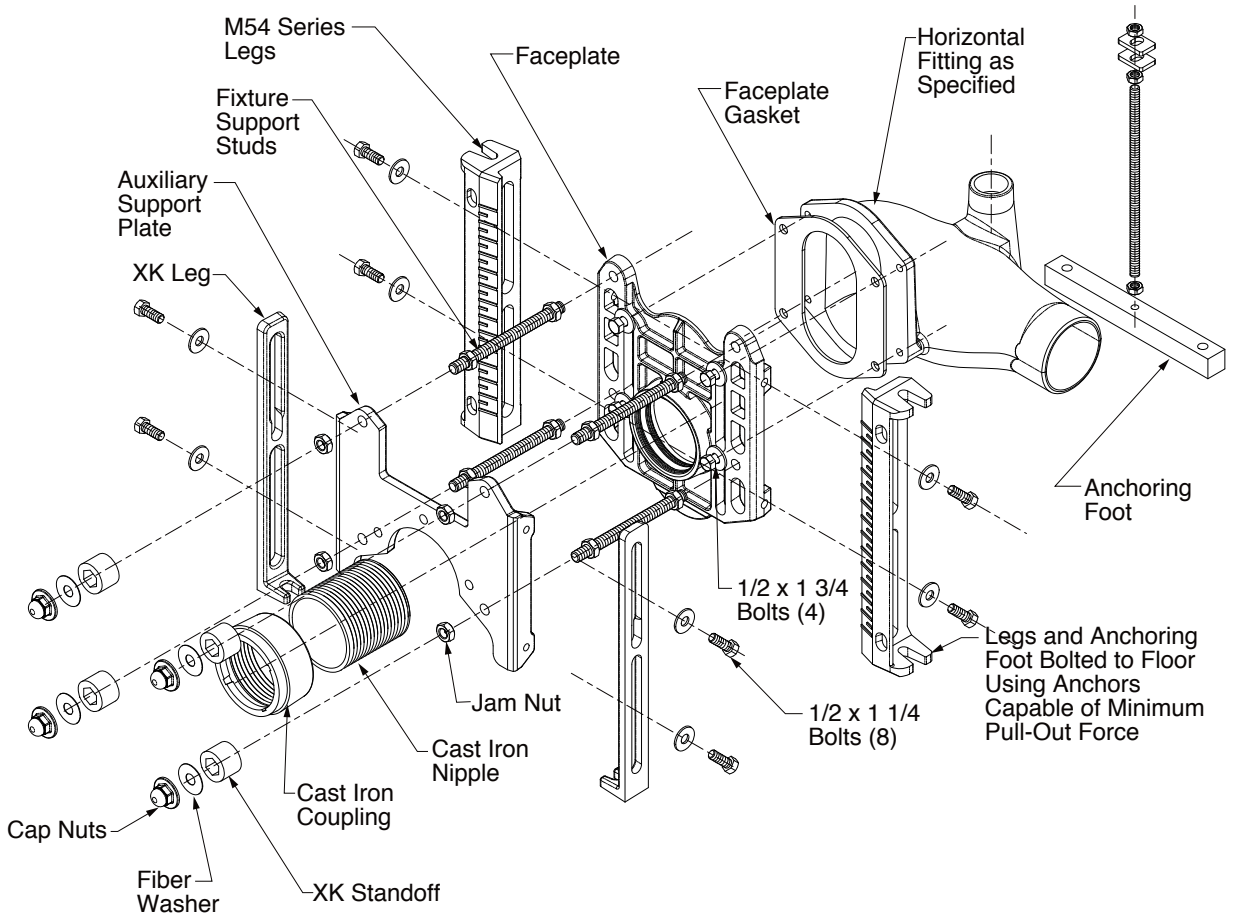
REV.	DATE	DESCRIPTION	BY	CKD. BY
E	11/20/09	3/4 (19) was 1/2 (13)	JJ	CL
D	10/07/08	Corrected Support Views	JJ	CL
C	5-13-08	Revised Note	TBW	CL

WEIGHT POUNDS	VOLUME CUBIC FEET	FIGURE NUMBER
		<b>0210Y, 0220Y -M54-XK</b>

# ADJUSTABLE FIXTURE SUPPORTS

## FOR SIPHON JET WATER CLOSETS

### PARTS LIST FOR NO-HUB HORIZONTAL FITTINGS BARIATRIC DUTY - 1000 LBS.



DRAWING NUMBER: 0210Y, 0220Y-M54-XK-BS

SCALE: NONE

DATE: 6-12-08

APPROVED BY: CL

CHECKED BY: CL

DRAWN BY: WAS

**0210Y, 0220Y-M54-XK BACK SHEET**

WE CAN ASSUME NO RESPONSIBILITY FOR USE OF SUPERSEDED OR VOID DATA

DIMENSIONS ARE SUBJECT TO MANUFACTURERS TOLERANCE AND CHANGE WITHOUT NOTICE

FIGURE NUMBER	A	04/23/09	Revised Coupling Mat'l	JJ	CL	WEIGHT POUNDS	VOLUME CUBIC FEET	FIGURE NUMBER
REV.	DATE	DESCRIPTION			BY	CKD. BY		<b>0210Y, 0220Y -M54-XK-BS</b>