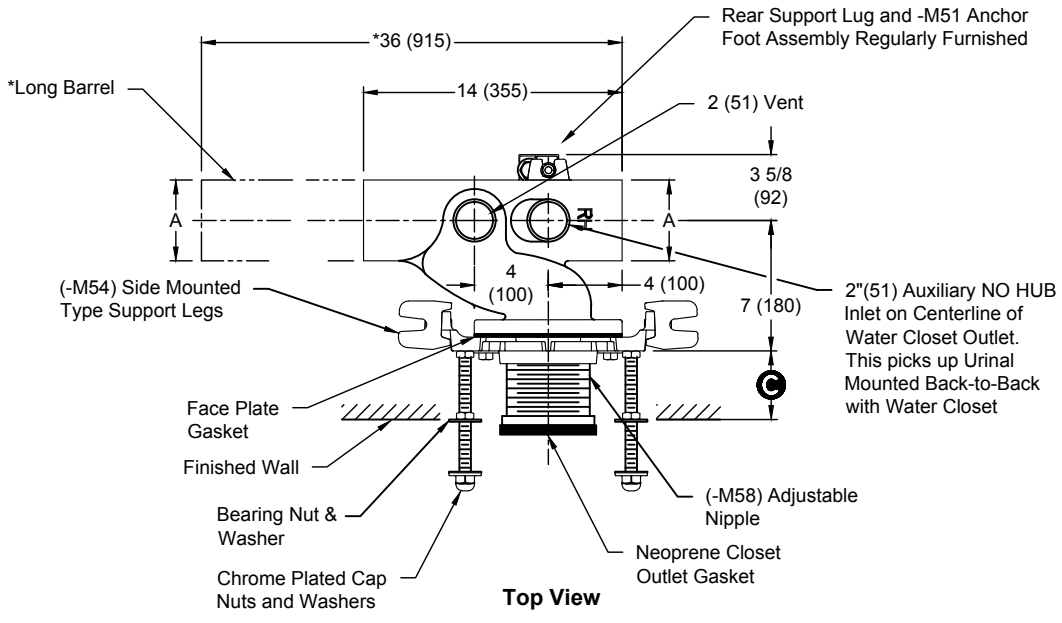
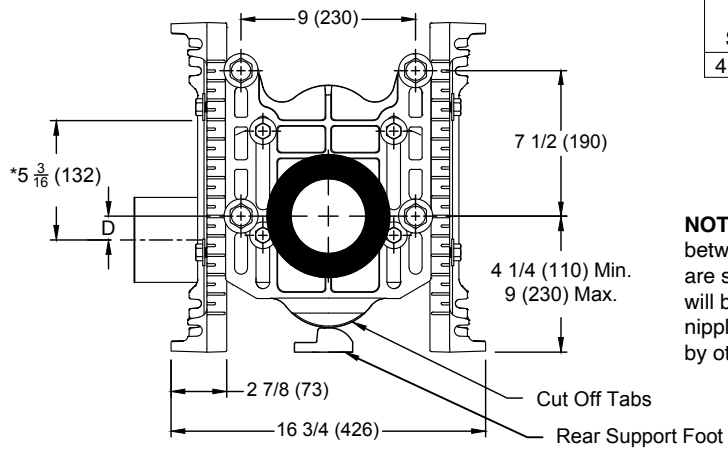


ADJUSTABLE FIXTURE SUPPORTS FOR SIPHON JET WATER CLOSETS



- NOTES:**
1. Base support must be Securely anchored to floor (with one 1/2" (13) bolt per base support provided by contractor).
 2. All single supports shall have the rear support lug anchored by contractor to assure a rigid installation. The rear support completes the 3 point anchoring system for ultimate stability of the installation.
 3. Dimensions shown in parentheses are in millimeters.
 4. *Dimension is 5 3/16(132) to top of vent and 7 5/16(186) to top of auxiliary inlet.

A SIZE	D	
	MIN	MAX
4 (100)	5/8 (16)	3 3/8 (86)

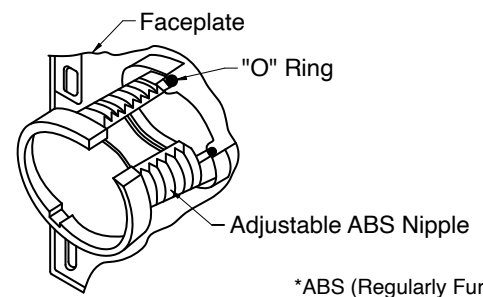


NOTE: When nipple lengths between 3 1/4"(83) and 9 3/4"(247) are specified, the 10"(255) nipple will be supplied. The threaded end of nipple must be cut to specified length by others.

NOTE: Dimensions shown in parentheses are in millimeters.

LENGTH	MIN.	MAX.
10(255)	8 3/4"(222)	9 3/4"(247)

- Fig. 0209LY (-M58-M54).....NO-HUB Left Hand
- Fig. 0209RY (-M58-M54)NO-HUB Right Hand
- Fig. 0219LY (-M58-M54).....NO-HUB Left Hand Long Barrel
- Fig. 0219RY (-M58-M54)NO-HUB Right Hand Long Barrel



DRAWING NUMBER: S0209Y/0219Y (-M58-M54)
 SIZE: A
 SCALE: NONE
 DATE: 2-1-12
 APPROVED BY: TK
 CHECKED BY: TWK
 DRAWN BY: TBW
 FIGURE NUMBER: 0209Y,0219Y (-M58-M54)

WE CAN ASSUME NO RESPONSIBILITY FOR USE OF SUPERSEDED OR VOID DATA

REV.	DATE	DESCRIPTION	BY	CKD. BY	WEIGHT POUNDS	VOLUME CUBIC FEET	FIGURE NUMBER
B	8-20-20	Replaced Draw. with 0209Y-M58-M54	MW	CL			0209Y,0219Y (-M58-M54)
A	12-4-14	Removed 0209DY, 0219DY (-M58-M54)	TBW	CL			