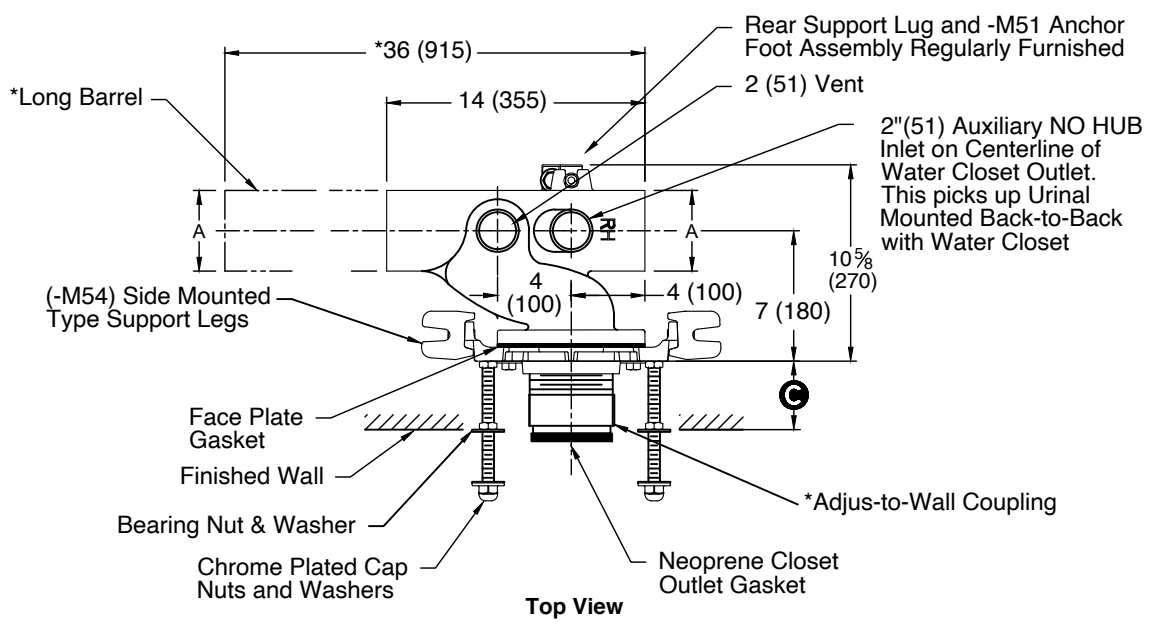


ADJUSTABLE FIXTURE SUPPORTS FOR SIPHON JET WATER CLOSETS

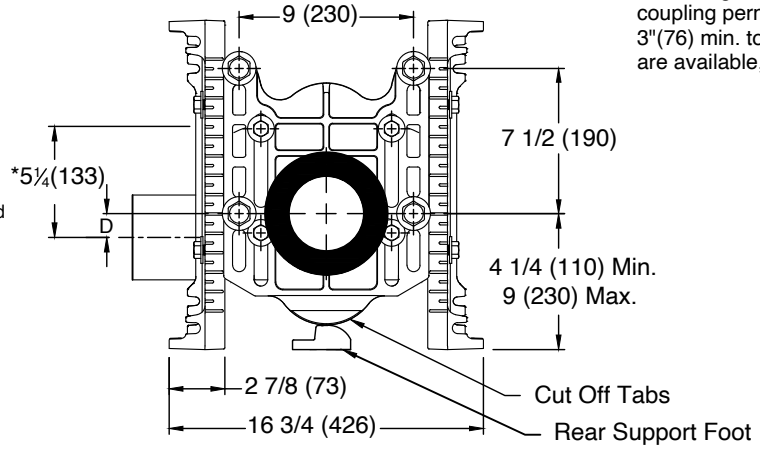


Top View

A SIZE	D MIN	
4 (100)	5/8 (16)	3 3/8 (87)

NOTES:

1. Base support must be Securely anchored to floor (with one 1/2" (13) bolt per base support provided by contractor).
2. All single supports shall have the rear support lug anchored by contractor to assure a rigid installation. The rear support completes the 3 point anchoring system for ultimate stability of the installation.
3. Dimensions shown in parentheses are in millimeters.
4. *Dimension is 5 1/4(133) to top of vent and 7 5/16(186) to top of auxiliary inlet.



Front View

Ⓒ Dimension = 4" (100) (regularly furnished) consisting of nipple and Adjus-to-Wall coupling permitting adjustment from 3"(76) min. to 4"(100) max. Longer nipples are available, specify Ⓒ dimension.

- Fig. 0209LY-M54 NO-HUB Left Hand
- Fig. 0209RY-M54 NO-HUB Right Hand
- Fig. 0219LY-M54 NO-HUB Left Hand Long Barrel
- Fig. 0219RY-M54 NO-HUB Right Hand Long Barrel

*ABS (Regularly Furnished)

DRAWING NUMBER: s209Y,0219Y-M54
 SIZE: A
 SCALE: NONE
 DATE: 8-20-2020
 APPROVED BY: CL
 CHECKED BY: CL
 DRAWN BY: MW
 FIGURE NUMBER: 0209Y, 0219Y-M54

WE CAN ASSUME NO RESPONSIBILITY FOR USE OF SUPERSEDED OR VOID DATA
 DIMENSIONS ARE SUBJECT TO MANUFACTURERS TOLERANCE AND CHANGE WITHOUT NOTICE

REV.	DATE	DESCRIPTION	BY	CKD. BY	WEIGHT POUNDS	VOLUME CUBIC FEET	FIGURE NUMBER
							0209Y, 0219Y-M54