

ADJUSTABLE FIXTURE SUPPORTS

FOR SIPHON JET WATER CLOSETS SHALLOW ROUGH-IN TYPE

DRAWING NUMBER
s0208Y-M58-M54

SIZE
A

SCALE:
NONE

DATE:
1-27-14

APPROVED BY:
TWK

CHECKED BY:
TK

DRAWN BY:
TBW

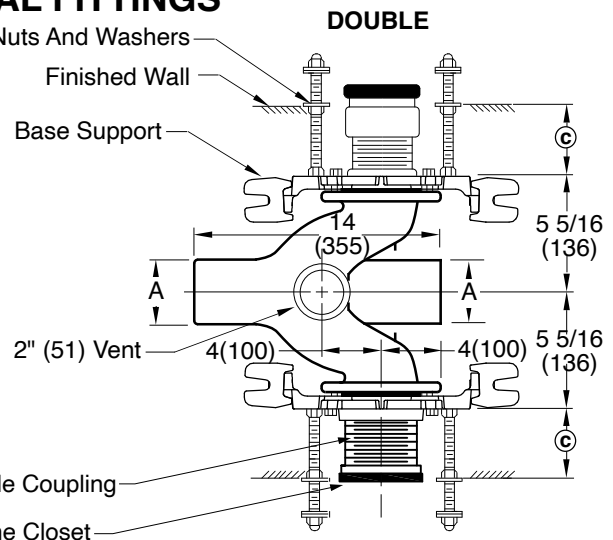
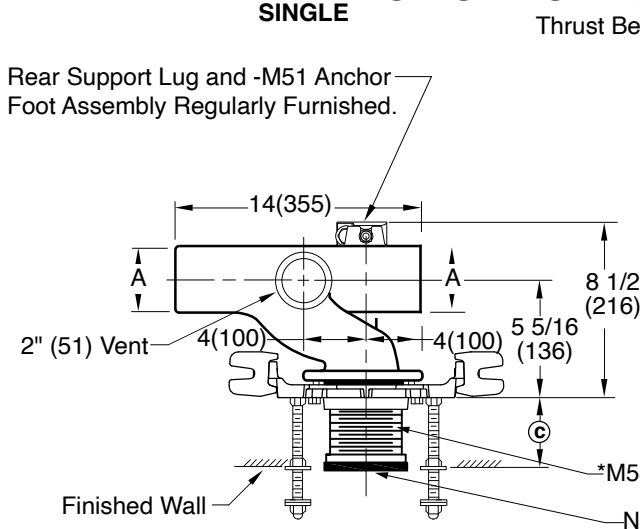
0208Y-M58-M54

FIGURE NUMBER

WE CAN ASSUME NO RESPONSIBILITY FOR USE OF SUPERSEDED OR VOID DATA

DIMENSIONS ARE SUBJECT TO MANUFACTURERS TOLERANCE AND CHANGE WITHOUT NOTICE

NO-HUB HORIZONTAL FITTINGS

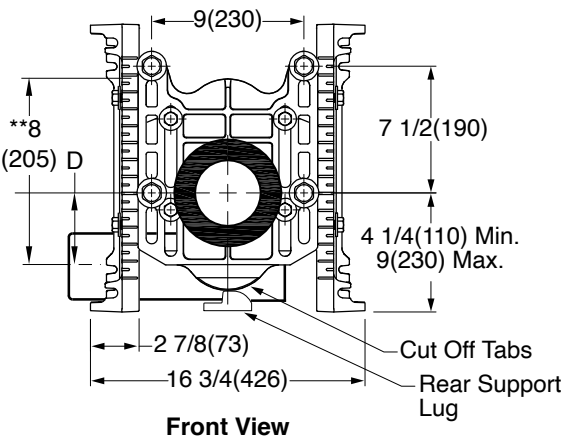


Top View Single

Top View Double

NOTES:

1. Base Support must be securely anchored to the floor (with one 1/2"(13) bolt per base support provided by installer.)
2. All single supports shall have the rear support lug anchored by contractor to assure a rigid installation. The rear support completes the 3 point anchoring system for ultimate stability of the installation.
3. Dimensions shown in parentheses are in millimeters.
4. **Dimension to top of vent.



Front View

The water closet gasket regularly furnished is made of molded neoprene and designed to fit water closet outlet dimensions and configurations shown in ANSI Standard A112.19.2M-1995, Figure 13B. If gasket is not found to be compatible to fixture due to nonconformance of said fixture to ANSI A112.19.2M, then fixture manufacturer shall be consulted for a suitable gasket recommendation. Jay R. Smith assumes no liability for connections to fixtures which do not conform to these standards.

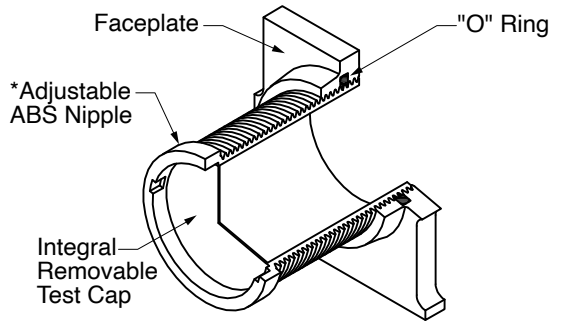
A SIZE	D	
	MIN	MAX
3(75)	5/8(16)	3 3/8(87)

*LENGTH	MIN	©	MAX
10(255)	8 3/4(222)		9 3/4(247)

*NOTE: When nipple lengths between 3 1/4"(83) and 9 3/4"(247) are specified, the 10"(255) nipple will be supplied. The threaded end of nipple must be cut to specified length by others.

- Fig. 0208LY-M58-M54 NO-HUB Left Hand
- Fig. 0208RY-M58-M54 NO-HUB Right Hand
- Fig. 0208DY-M58-M54 NO-HUB Double

© dimension = 4" (100) (regularly furnished) consisting of nipple and Adjust-to-Wall coupling permitting adjustment from 3" (76) min. to 4" (100) max.



*ABS (Regularly Furnished)

REV.	DATE	DESCRIPTION	BY	CKD. BY

WEIGHT POUNDS	VOLUME CUBIC FEET

FIGURE NUMBER
0208Y-M58-M54