



YOUR COMPLETE TRENCH DRAIN SOURCE

SOLUTIONS & MATERIALS

CAST IRON
2700 SERIES

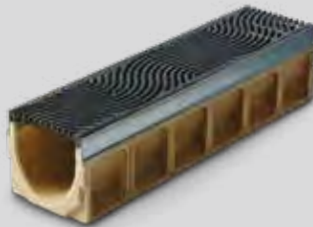
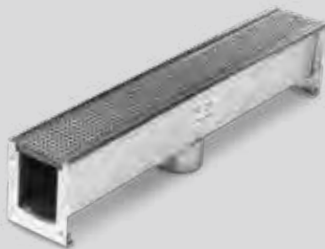
POLYPROPYLENE
9900 SERIES

STAINLESS STEEL
9660-9679 SERIES

POLYMER CONCRETE
9800 SERIES

FIBERGLASS
9812-9872 SERIES





Cast Iron Trench Drains

2700 – 2900 Series..... 1-3
 Modular Cast Iron - 2700 Series 2
 Cast Iron Trench Grating 3

Polypropylene Trench Drains

Enviro-Flo® II and Zip Trench™ 4-28
 6” Wide – 9930 Enviro-Flo® II Series 4-10
 Enviro-Flo® II Installation Tips..... 11-12
 Enviro-Flo® II Accessories 13-16
 6” Wide – 9940 Zip Trench™ Series..... 17-22
 12” Wide – 9960 Zip Trench™ Series..... 23-27
 12” Wide – 9960 Zip Trench™ Grates 25-26
 12” Wide – 9960 Zip Trench™ Installation Tips 27
 12” Wide – 9960 Zip Trench™ Accessories 28
 Enviro-Flo® II Grates 73-74

Stainless Steel Trench Drains

2” to 6” Wide – 9660 – 9679 Series 29-40
 6” Wide - 9660 Modular Trench Drains 30-32
 6” Wide - 9665 Series Shallow Modular Trench Drains..... 33
 2” Wide - 9666 ADA Linear Shower Drain..... 34
 2” Wide - 9667 Fine-Line™ ADA Shower Drain 35-36
 9675 Trough/Kettle Drains..... 37
 9679 Threshold Drains™ 38-40
 Stainless Steel Grates 73-74

Polymer Concrete Trench Drains

3” to 14” Wide - 9800 Series..... 41-65
 6” Wide - 9895-9805 Polymer Concrete Trench Drains 41-48
 10” Wide - 9878-9896 Polymer Concrete Trench Drains 49-54
 14” Wide - 9807-9897 Polymer Concrete Trench Drains 55-60
 6” Wide - 9836 Shallow Polymer Concrete Trench Drains..... 61
 3” Wide - 9833 Narrow Polymer Concrete Trench Drains..... 62
 Quicklok® and PowerLok® Details 63
 Oil Separator, Sump Boxes, & Catch Basins 64
 Polymer Concrete Drainage System Accessories..... 65
 Polymer Concrete Grates 73-76

Fiberglass Trench Drains

10” to 12” Wide – 9812-9872 Series 61-70
 10” Wide - 9812 High Capacity Fiberglass Trench Drains 67-68
 10” Wide - 9812 Grates..... 76
 12” Wide - 9872 High Capacity Fiberglass Trench Drains 69-70
 12” Wide - 9872 Grates..... 69

Grates for 6”, 10”, and 14” Trench Drains 71-77

Trench Drain System Selection and Tips 79-80

Chemical Resistance Chart.....Visit www.jrsmith.com

• Listed below are all trademarks of ACO Polymer Products, Inc.:
 KlassikDrain® QuickLok® PowerDrain® PowerLok® SlabDrain® Channel Slope® ACOWall®
 • Listed below are all trademarks of Jay R. Smith Mfg. Co.®:
 Enviro-Flo® Zip Trench™ Fine-Line® Enviro-Loc® Threshold Drains™



CAST IRON TRENCH DRAINS



Figure Number 2710



Figure Number 2900

Figure Number 2710 - Heavy Duty Modular Cast Iron Trench Drains

Figure Number 2910 - Cast Iron Trench Grating

- Modular trench drains for loading docks, parking garages, elevated decks
- Heavy duty cast iron construction
- Option: Clamping Collar

CAST IRON

Heavy Duty Modular Cast Iron Trench Drains - Figure 2710

- Heavy duty cast iron construction
- Provides a wide, continuous trench
- Serves as a reservoir for large water runoff
- Available with flange and clamping collar
- Heavy duty grate rating per ASME A112.6.3

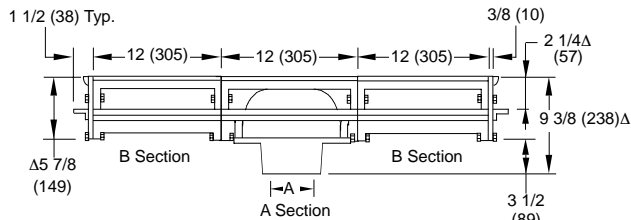


APPLICATIONS

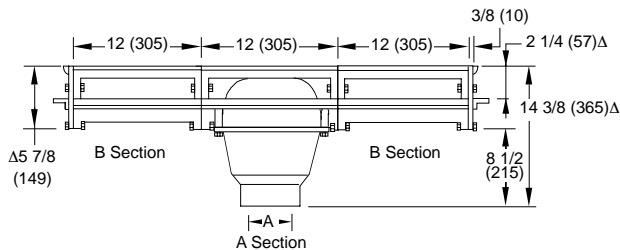
Loading Docks • Parking Decks

FEATURES

- Duco cast iron flanged body outlet
- Flanged end plate with cast iron anti-shift loose set square hole grate
- 12" (305 mm) width by 12" (305 mm) length grates
- Can also be used individually as an area drain



A (Pipe Size) = 03(75), 04(100), 05(125), 06(150) or 08(200)



A (Pipe Size) = 03(75), 04(100), 05(125), 06(150) or 08(200)

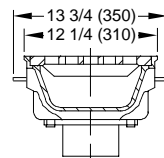


Fig. 2710C..... CAULK OUTLET
Fig. 2710Y..... NO-HUB OUTLET
Shallow Hub Body

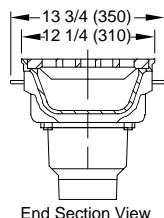
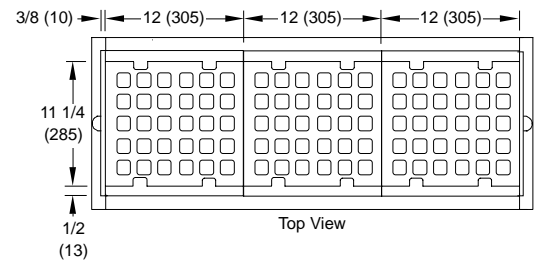


FIG. 2710C (-DH)..... CAULK OUTLET
FIG. 2710Y (-DH)..... NO-HUB OUTLET
Deep Hub Body



Free Area
39.3 SQ IN
(254)SQ CM
(Each Section)

CAST IRON

Cast Iron Trench Grating Figure 2900

- Designed for pedestrian traffic
- Frame and grate provide large free drainage area
- Continuous grate sections in overall lengths provide maximum versatility
- Heavy duty grate rating per ASME A112.6.3



APPLICATIONS

Pedestrian Walkways • Outdoor Shopping Centers
Promenade Areas

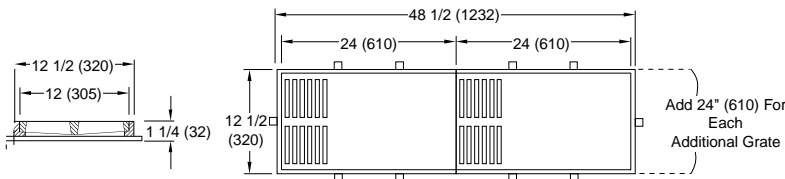


Fig. 2940 ... 1 Grate Only - 12 (305) x 24 (610)
Fig. 2941 ... 1 Grate with Frame - 12 1/2 (324) x 24 1/2 (620)
Fig. 2942 ... 2 Grates with Frame - 12 1/2 (320) x 48 1/2 (1232)

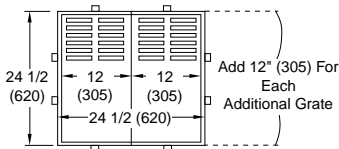


Fig. 2952 ... 2 Grates with Frame - 24 1/2 (620) x 24 1/2 (620)
Fig. 2953 ... 3 Grates with Frame - 24 1/2 (620) x 36 1/2 (925)
Fig. 2954 ... 4 Grates with Frame - 24 1/2 (620) x 48 1/2 (1232)

Figure 2940

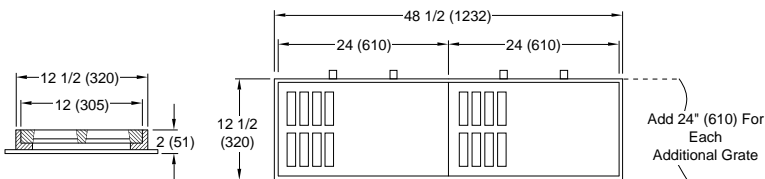


Fig. 2970 ... 1 Grate Only - 12 (305) x 24 (610)
Fig. 2971 ... 1 Grate with Frame - 12 1/2 (320) x 24 1/2 (620)
Fig. 2972 ... 2 Grates with Frame - 12 1/2 (320) x 48 1/2 (1232)

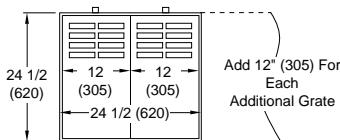
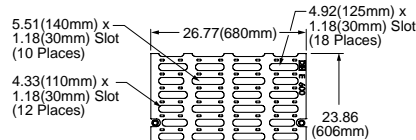


Fig. 2982 ... 2 Grates with Frame - 24 1/2 (620) x 24 1/2 (620)
Fig. 2983 ... 3 Grates with Frame - 24 1/2 (620) x 36 1/2 (925)
Fig. 2984 ... 4 Grates with Frame - 24 1/2 (620) x 48 1/2 (1232)



H20 Ductile Iron Grate Detail ••

Figure 2970

JAY R. SMITH MFG. CO. 334.277.8520 www.jrsmith.com

FEATURES

- Duco Cast Iron grate with steel frame
- Grate and frame provide large free drainage area

2910, 2920 - Light duty, designed for pedestrian traffic only

2940, 2950 - Medium duty, designed for pedestrian traffic only

2970, 2980 - Heavy duty, designed for heavy trucks and traffic. 2970-M ductile iron slotted grate is H-20 rated

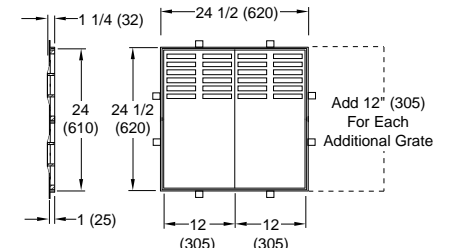
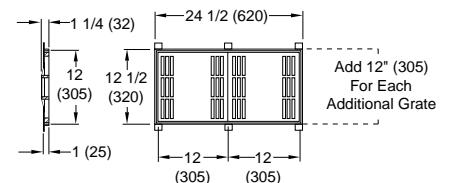


Figure 2910



ENVIRO-FLO® POLYPROPYLENE TRENCH DRAINS

6" AND 12" WIDE - 9930 - 9960 SERIES



6" Zip Trench™
Figure Number 9940
Load class A - E



6" Enviro-Flo® II
Figure Number 9930
Load Class A, B, C



6" Enviro-Flo® II
Figure Number 9931
Load Class A - E



12" Zip Trench™
Figure Number 9960
Load class A - E

Figure Number 9930 - 6" Wide Enviro-Flo® II Polypropylene Trench Drains

Figure Number 9931 - 6" Wide Enviro-Flo® II Polypropylene Trench Drains with
Steel Frame System for Extra Heavy Duty Applications

Figure Number 9940 - 6" Wide Zip Trench™ Polypropylene Trench Drains

Figure Number 9960 - 12" Wide Zip Trench™ Polypropylene Trench Drains

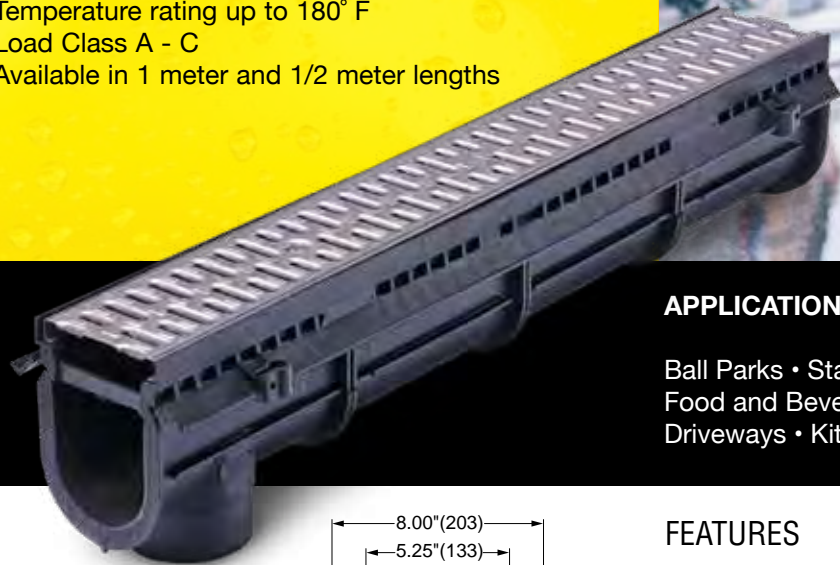
- Lightweight, interlocking polypropylene channels
- Durable and versatile
- Ideal for heavy duty applications
- Superior chemical and UV resistance



POLYPROPYLENE DRAIN SYSTEM

6" Wide Enviro-Flo® II Trench Drains Figure 9930

- Lightweight, interlocking polypropylene channels are ideal for heavy duty applications
- Excellent chemical resistance
- Superior UV resistance
- Bottom outlet on every section
- Temperature rating up to 180° F
- Load Class A - C
- Available in 1 meter and 1/2 meter lengths

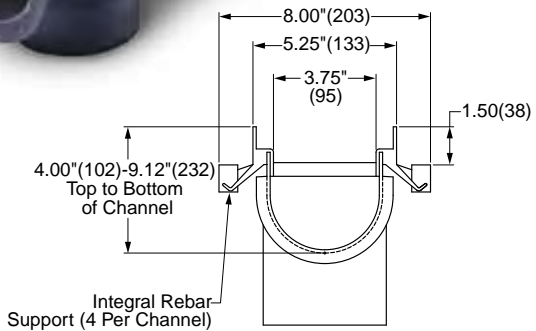


APPLICATIONS

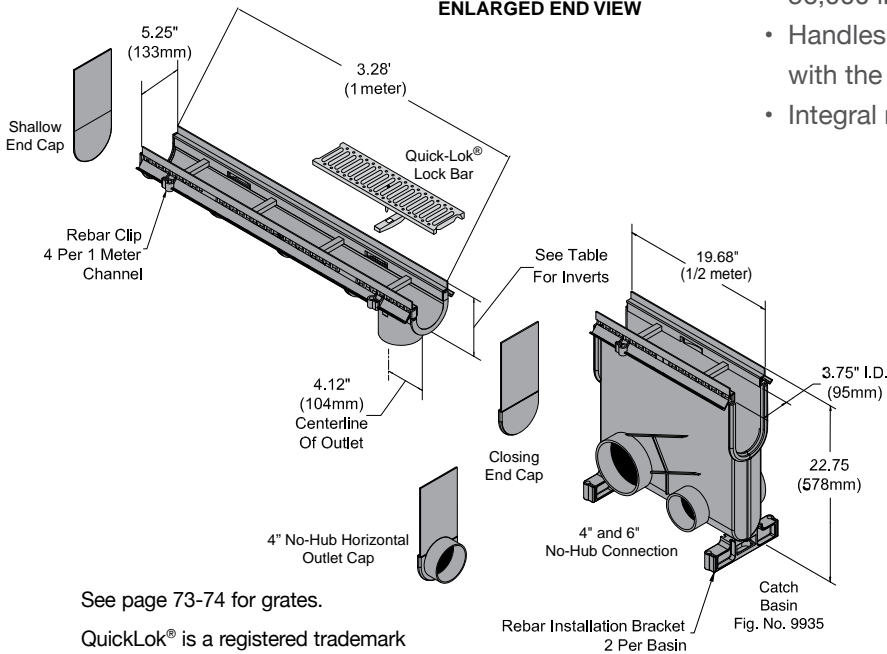
Ball Parks • Stadiums • Chemical Processing Plants
Food and Beverage • Breweries • Swimming Pools
Driveways • Kitchens • Greenhouses

FEATURES

- Utilizes the QuickLok® grate feature that allows the grating to be secured and removed without bolting or screwing to the channel easily
- Built-in slope of 0.6% and radiused bottom
- Load Classes A-C depending on grate selection
- Heavy Duty EN1433 Load Class C: 56,000 lbs - 1,162 psi
- Handles up to Load Class C pneumatic tire with the proper grate selection
- Integral rebar support



ENLARGED END VIEW



Note: The #20 channel section that is 9 1/8" deep mates to the 9935 catch basin

9930 Trench Drains with Catch Basin

Note: This trench drain system is designed for "on grade applications only" as there are no provisions for a flashing flange or flashing clamp. Please contact Jay R. Smith Trench Drain team at 800-467-6484 for assistance when flashing flange or flashing are required.

See page 73-74 for grates.

QuickLok® is a registered trademark of ACO Polymer Products, Inc.

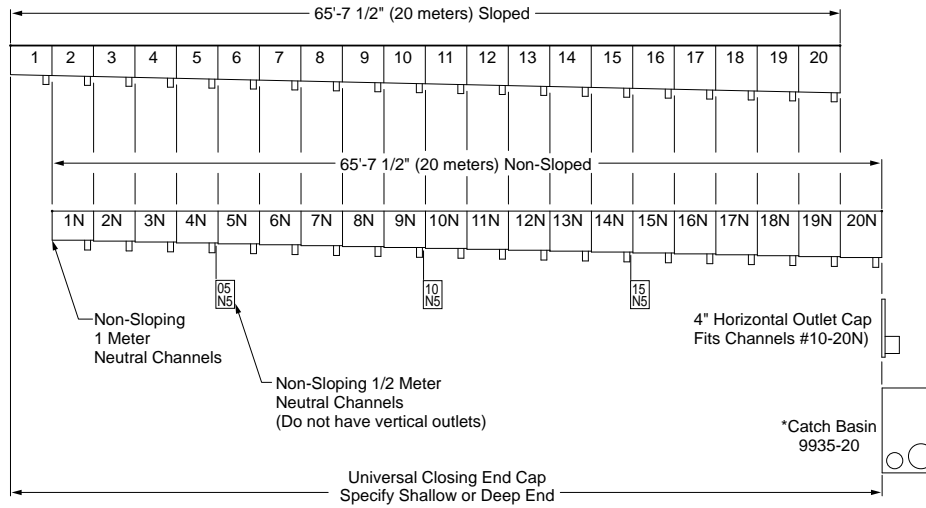


JAY R. SMITH MFG. CO. 334.277.8520 www.jrsmith.com

Patent No. 10,047,512



Enviro-Flo® II Polypropylene Trench Drains - Figure 9930



HYDRAULIC CAPACITY AND TRENCH DEPTH 9930 SYSTEM

| Channel Number | Shallow End Depth | | Deep End Depth | | Slope | Single Channel | | Weight Lbs. |
|----------------|-------------------|-----|----------------|-----|-------|----------------|----------|-------------|
| | Inch | mm | Inch | mm | | Est. CFS | Est. GPM | |
| 9930-1 | 4.00 | 102 | 4.38 | 111 | 0.6% | 0.29 | 130 | 6.50 |
| 9930-1N | 4.38 | 111 | 4.38 | 111 | 0.0% | 0.29 | 130 | 6.50 |
| 9930-2 | 4.38 | 111 | 4.62 | 117 | 0.6% | 0.31 | 139 | 6.60 |
| 9930-2N | 4.62 | 117 | 4.62 | 117 | 0.0% | 0.31 | 139 | 6.60 |
| 9930-3 | 4.62 | 117 | 4.88 | 124 | 0.6% | 0.34 | 153 | 6.80 |
| 9930-3N | 4.88 | 124 | 4.88 | 124 | 0.0% | 0.34 | 153 | 6.80 |
| 9930-4 | 4.88 | 124 | 5.12 | 130 | 0.6% | 0.36 | 162 | 6.90 |
| 9930-4N | 5.12 | 130 | 5.12 | 130 | 0.0% | 0.36 | 162 | 6.90 |
| 9930-5 | 5.12 | 130 | 5.38 | 137 | 0.6% | 0.39 | 175 | 7.00 |
| 9930-5N | 5.38 | 137 | 5.38 | 137 | 0.0% | 0.39 | 175 | 7.00 |
| 9930-6 | 5.38 | 137 | 5.63 | 143 | 0.6% | 0.42 | 189 | 7.20 |
| 9930-6N | 5.63 | 143 | 5.63 | 143 | 0.0% | 0.42 | 189 | 7.20 |
| 9930-7 | 5.63 | 143 | 5.88 | 149 | 0.6% | 0.45 | 202 | 7.40 |
| 9930-7N | 5.88 | 149 | 5.88 | 149 | 0.0% | 0.45 | 202 | 7.40 |
| 9930-8 | 5.88 | 149 | 6.12 | 155 | 0.6% | 0.47 | 211 | 7.60 |
| 9930-8N | 6.12 | 155 | 6.12 | 155 | 0.0% | 0.47 | 211 | 7.60 |
| 9930-9 | 6.12 | 155 | 6.38 | 162 | 0.6% | 0.49 | 220 | 7.60 |
| 9930-9N | 6.38 | 162 | 6.38 | 162 | 0.0% | 0.49 | 220 | 7.60 |
| 9930-10 | 6.38 | 162 | 6.62 | 168 | 0.6% | 0.53 | 238 | 7.80 |
| 9930-10N | 6.62 | 168 | 6.62 | 168 | 0.0% | 0.53 | 238 | 7.80 |
| 9930-11 | 6.62 | 168 | 6.68 | 170 | 0.6% | 0.56 | 251 | 8.00 |
| 9930-11N | 6.68 | 170 | 6.68 | 170 | 0.0% | 0.56 | 251 | 8.00 |
| 9930-12 | 6.68 | 170 | 7.12 | 181 | 0.6% | 0.58 | 261 | 8.00 |
| 9930-12N | 7.12 | 181 | 7.12 | 181 | 0.0% | 0.58 | 261 | 8.00 |
| 9930-13 | 7.12 | 181 | 7.38 | 187 | 0.6% | 0.62 | 274 | 8.40 |
| 9930-13N | 7.38 | 187 | 7.38 | 187 | 0.0% | 0.62 | 274 | 8.40 |
| 9930-14 | 7.38 | 187 | 7.62 | 194 | 0.6% | 0.64 | 287 | 8.40 |
| 9930-14N | 7.62 | 194 | 7.62 | 194 | 0.0% | 0.64 | 287 | 8.40 |
| 9930-15 | 7.62 | 194 | 7.88 | 200 | 0.6% | 0.67 | 301 | 8.60 |
| 9930-15N | 7.88 | 200 | 7.88 | 200 | 0.0% | 0.67 | 301 | 8.60 |
| 9930-16 | 7.88 | 200 | 8.12 | 206 | 0.6% | 0.7 | 314 | 8.80 |
| 9930-16N | 8.12 | 206 | 8.12 | 206 | 0.0% | 0.7 | 314 | 8.80 |
| 9930-17 | 8.12 | 206 | 8.38 | 213 | 0.6% | 0.73 | 328 | 8.80 |
| 9930-17N | 8.38 | 213 | 8.38 | 213 | 0.0% | 0.73 | 328 | 8.80 |
| 9930-18 | 8.38 | 213 | 8.62 | 219 | 0.6% | 0.76 | 341 | 9.00 |
| 9930-18N | 8.62 | 219 | 8.62 | 219 | 0.0% | 0.76 | 341 | 9.00 |
| 9930-19 | 8.62 | 219 | 8.88 | 226 | 0.6% | 0.79 | 355 | 9.20 |
| 9930-19N | 8.88 | 226 | 8.88 | 226 | 0.0% | 0.79 | 355 | 9.20 |
| 9930-20 | 8.88 | 226 | 9.12 | 232 | 0.6% | 0.82 | 368 | 9.40 |
| 9930-20N | 9.12 | 232 | 9.12 | 232 | 0.0% | 0.82 | 368 | 9.40 |

Note: Channel flow rates based on channels less grates and open ended.



POLYPROPYLENE DRAIN SYSTEM

6" Wide Enviro-Flo® II Trench Drains with Extra Heavy Duty Frame System for Extra Heavy Duty Applications - Figure 9931

- Extra heavy duty to protect against hard wheel traffic
- Lightweight, interlocking polypropylene channels are ideal for heavy duty applications
- Excellent chemical resistance
- Superior UV resistance
- Meets or Exceeds the FAA requirement for castings
- Load Class A - E
- Available in 1 meter and 1/2 meter lengths



APPLICATIONS

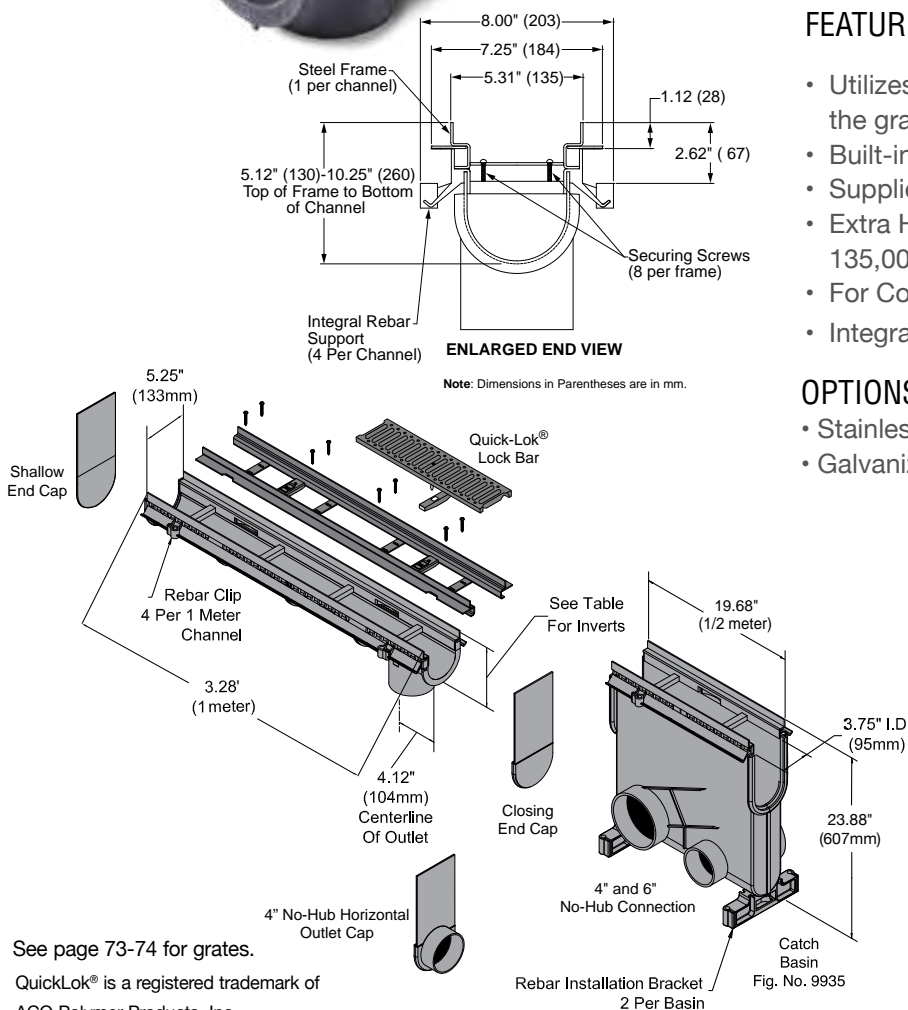
Warehousing • Commercial Buildings • Hospitals
Fire and Police Stations • Hotels • Restaurants
Airports • Greenhouses

FEATURES

- Utilizes the QuickLok® grate feature that allows the grating to be secured to the channel easily
- Built-in slope of 0.6% and radiused bottom
- Supplied with secured grate
- Extra Heavy Duty EN1433 Class E:
135,000 - 2,788 psi
- For Commercial hard tire forklifts
- Integral rebar support

OPTIONS:

- Stainless Steel Heavy Duty Frames
- Galvanized and Steel Heavy Duty Frames



Note: The #20 channel section that is 10 1/4" deep mates to the 9936 catch basin

9931-HDF Trench Drains with Catch Basin

Note: This trench drain system is designed for "on grade applications only" as there are no provisions for a flashing flange or flashing clamp. Please contact Jay R. Smith Trench Drain team at 800-467-6484 for assistance when flashing flange or flashing are required.

If a waterproof membrane is required please contact Jay R. Smith Mfg. Co. for details or an alternative.

See page 73-74 for grates.

QuickLok® is a registered trademark of ACO Polymer Products, Inc.

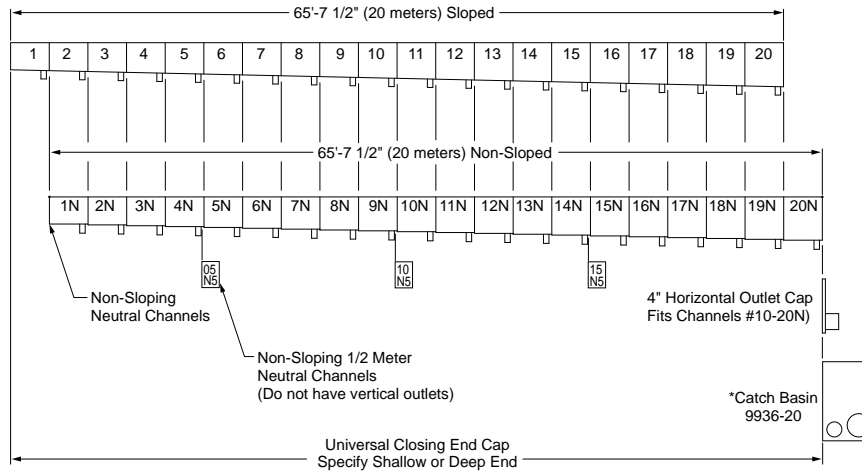


JAY R. SMITH MFG. CO. 334.277.8520 www.jrsmith.com

Patent No. 10,047,512



6" Wide Enviro-Flo® II Polypropylene Trench Drains with Extra Heavy Duty Frame System - Figure 9931



HYDRAULIC CAPACITY AND DEEP END DEPTHS 9931-HDF SYSTEM

| Channel Number | Shallow End Invert | | Deep End Invert | | Slope | Single Channel | | Weight Lbs. |
|----------------|--------------------|-----|-----------------|-----|-------|----------------|----------|-------------|
| | Inch | mm | Inch | mm | | Est. CFS | Est. GPM | |
| 9931-1 | 5.12 | 130 | 5.50 | 140 | 0.6% | 0.29 | 130 | 23.02 |
| 9931-1N | 5.50 | 140 | 5.50 | 140 | 0.0% | 0.29 | 130 | 23.02 |
| 9931-2 | 5.50 | 140 | 5.75 | 146 | 0.6% | 0.31 | 139 | 23.12 |
| 9931-2N | 5.75 | 146 | 5.75 | 146 | 0.0% | 0.31 | 139 | 23.12 |
| 9931-3 | 5.75 | 146 | 6.00 | 152 | 0.6% | 0.34 | 153 | 23.32 |
| 9931-3N | 6.00 | 152 | 6.00 | 152 | 0.0% | 0.34 | 153 | 23.32 |
| 9931-4 | 6.00 | 152 | 6.25 | 159 | 0.6% | 0.36 | 162 | 23.42 |
| 9931-4N | 6.25 | 159 | 6.25 | 159 | 0.0% | 0.36 | 162 | 23.42 |
| 9931-5 | 6.25 | 159 | 6.50 | 165 | 0.6% | 0.39 | 175 | 23.52 |
| 9931-5N | 6.50 | 165 | 6.50 | 165 | 0.0% | 0.39 | 175 | 23.52 |
| 9931-6 | 6.50 | 165 | 6.75 | 171 | 0.6% | 0.42 | 189 | 23.72 |
| 9931-6N | 6.75 | 171 | 6.75 | 171 | 0.0% | 0.42 | 189 | 23.72 |
| 9931-7 | 6.75 | 171 | 7.00 | 178 | 0.6% | 0.45 | 202 | 23.92 |
| 9931-7N | 7.00 | 178 | 7.00 | 178 | 0.0% | 0.45 | 202 | 23.92 |
| 9931-8 | 7.00 | 178 | 7.25 | 184 | 0.6% | 0.47 | 211 | 24.32 |
| 9931-8N | 7.25 | 184 | 7.25 | 184 | 0.0% | 0.47 | 211 | 24.32 |
| 9931-9 | 7.25 | 184 | 7.50 | 191 | 0.6% | 0.49 | 220 | 24.32 |
| 9931-9N | 7.50 | 191 | 7.50 | 191 | 0.0% | 0.49 | 220 | 24.32 |
| 9931-10 | 7.50 | 191 | 7.75 | 197 | 0.6% | 0.53 | 238 | 24.32 |
| 9931-10N | 7.75 | 197 | 7.75 | 197 | 0.0% | 0.53 | 238 | 24.32 |
| 9931-11 | 7.75 | 197 | 8.00 | 203 | 0.6% | 0.56 | 251 | 24.52 |
| 9931-11N | 8.00 | 203 | 8.00 | 203 | 0.0% | 0.56 | 251 | 24.52 |
| 9931-12 | 8.00 | 203 | 8.25 | 210 | 0.6% | 0.58 | 261 | 24.52 |
| 9931-12N | 8.25 | 210 | 8.25 | 210 | 0.0% | 0.58 | 261 | 24.52 |
| 9931-13 | 8.25 | 210 | 8.50 | 216 | 0.6% | 0.62 | 274 | 24.92 |
| 9931-13N | 8.50 | 216 | 8.50 | 216 | 0.0% | 0.62 | 274 | 24.92 |
| 9931-14 | 8.50 | 216 | 8.75 | 222 | 0.6% | 0.64 | 287 | 24.92 |
| 9931-14N | 8.75 | 222 | 8.75 | 222 | 0.0% | 0.64 | 287 | 24.92 |
| 9931-15 | 8.75 | 222 | 9.00 | 229 | 0.6% | 0.67 | 301 | 25.12 |
| 9931-15N | 9.00 | 229 | 9.00 | 229 | 0.0% | 0.67 | 301 | 25.12 |
| 9931-16 | 9.00 | 229 | 9.25 | 235 | 0.6% | 0.7 | 314 | 25.32 |
| 9931-16N | 9.25 | 235 | 9.25 | 235 | 0.0% | 0.7 | 314 | 25.32 |
| 9931-17 | 9.25 | 235 | 9.50 | 241 | 0.6% | 0.73 | 328 | 25.32 |
| 9931-17N | 9.50 | 241 | 9.50 | 241 | 0.0% | 0.73 | 328 | 25.32 |
| 9931-18 | 9.50 | 241 | 9.75 | 248 | 0.6% | 0.76 | 341 | 25.52 |
| 9931-18N | 9.75 | 248 | 9.75 | 248 | 0.0% | 0.76 | 341 | 25.52 |
| 9931-19 | 9.75 | 248 | 10.00 | 254 | 0.6% | 0.79 | 355 | 25.72 |
| 9931-19N | 10.00 | 254 | 10.00 | 254 | 0.0% | 0.79 | 355 | 25.72 |
| 9931-20 | 10.00 | 254 | 10.25 | 260 | 0.6% | 0.82 | 368 | 25.92 |
| 9931-20N | 10.25 | 260 | 10.25 | 260 | 0.0% | 0.82 | 368 | 25.92 |

Note: Channel flow rates based on channels less grates and open ended.



Enviro-Flo® II Trench Drains

Features and Benefits

Figure Number 9930 and 9931

Enviro-Flo® II – The Contractor Friendly System that Replaces Cast-in-Place Trench Drains

System Features

- Each section has a 4" molded no-hub bottom outlet connection
- Each channel is identified with flow arrow and sequence numbers
- Each channel has angular full length anchoring ribs
- Each channel is shipped with a removable factory insert board constructed from post-industrial recycled material that functions as a stabilizer and debris guard
- Horizontal outlet cap available
- Mechanical interlocking end caps

Lightweight–Easy to Handle

- 98% recycled polypropylene with 2% carbon black
- Reduces installation costs in every aspect
- Easy field modification: cut, drill, machine, weld
- Superior chemical resistance
- Durable—non-breakable
- Handles up to 180° F

Enviro-Loc®

- Mechanical interlocking joint
- Alignment integrity maintained
- With proper sealant, provides a watertight connection



Integral Rebar Mount



Vertical Outlet

The vertical outlet attaches to the Enviro-Flo® II accessory rail to create an outlet anywhere on the channel.



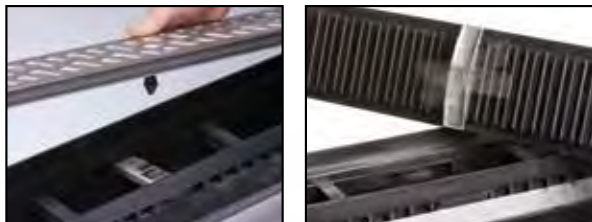
Enviro-Flo® II Trench Drains

Features and Benefits

Figure Number 9930 and 9931

Locking Grates

- Complete selection to meet all requirements
- Positive lockdown function means grates won't wobble
- No frames required to meet Load Class C Heavy Duty EN1433 up to 56,000 lbs. 1,162 psi
- Ease of Maintenance



Features for Enviro-Flo® II

- 20 sloping and 20 neutral channels
- Mounting System: Integral rebar clips or the Rante Arrow offer flexible installation options
- Secure Tongue & Groove Connections: Tongue and groove connectors retain more sealant for a more uniform joint
- Flexible Installation: Choose outlet location, create miter and tee connections with adapters, and shorten channels in the field



Numbered

The sequence number is molded on the hub

Presloped Channels

- 1 meter (3.28 feet) channel sections speed installation
- Presloped (.6%) radius channels
- Smooth, uniform interior delivers best hydraulic performance

Flow Direction Arrow

Rante Arrow Mount

Provides vertical and horizontal adjustments for quick and easy elevation set.

Patent No. 10,047,512



ENVIRO-FLO® II INSTALLATION TIPS

Integral Rebar Mounting System



1. If 9935 catch basin is required, insert channel on one end as shown above.



2. Align male and female ends of the channels.



3. Slide channels together. Ensure that channels are securely connected and correctly aligned.



4. Secure channel into the ground with rebar using integral rebar clips.

The Jay R. Smith Mfg. Co.® Enviro-Flo® II Systems with Enviro-Loc® joints are easy to install using the Integral Rebar Clips or Rante Arrow.

Always begin install at the outlet end.

See structural drawings for reinforcing of the concrete and location of expansion joints

For rebar installation, simply align male and female ends of channels and slide together as illustrated in photos 2 and 3.

After making the Enviro-Loc® connection, ensure that the channels are securely connected and aligned correctly, then insert rebar into the integral rebar clips and secure into the ground.

After securing the channel with rebar, span the channel joint with the factory furnished recycled board insert to protect channel grate recess, prevent debris from entering channel section and maintain proper channel and grate alignment.



ENVIRO-FLO® II INSTALLATION TIPS

Rante Arrow™ Mounting System

Figure Number 9849NS



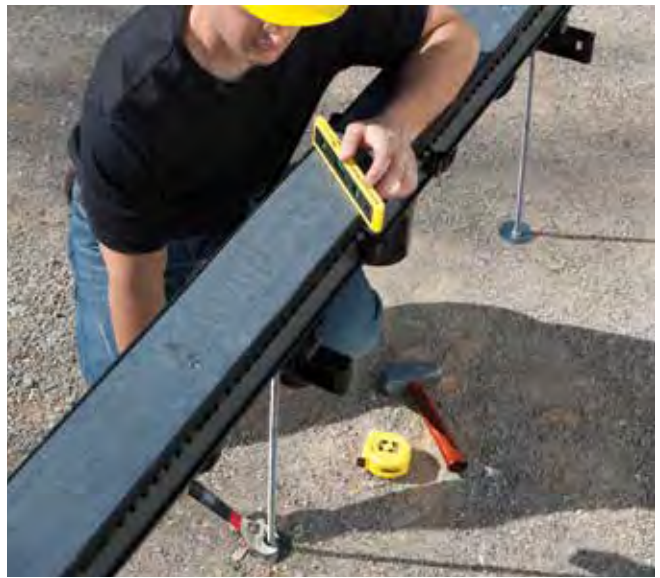
1. Align male and female ends of the channels.



2. Slide channels together.



3. Ensure that channels are securely connected and properly seated in the Rante Arrow™ - Figure Number 9849NS.

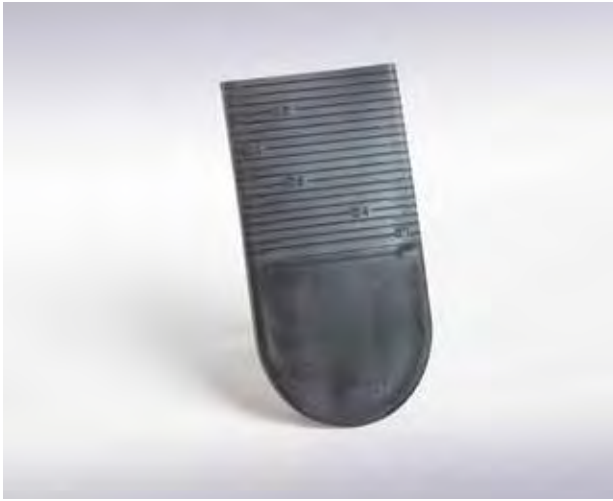


4. Check for level to ensure that channels are installed properly.

For Rante Arrow™ installation, simply align male and female ends of channels and slide together as illustrated in photos 1 and 2.

After making the Enviro-Loc® connection, span the channel joint with the factory furnished recycled board insert (photo 3) to protect channel grate recess, prevent debris from entering channel section and to maintain proper channel and grate alignment.

Enviro-Flo® II Accessories



Shallow End-Cap

Shallow end caps accommodate the shallow end of the channel and feature a cutting guide for a perfect fit.



Deep End-Cap

Deep end caps accommodate the deep end of the channel and feature a cutting guide for a perfect fit.



Horizontal Outlet Cap

This end cap fits channels #10-20N and creates a horizontal outlet.



No-Hub Outlet

The vertical outlet attaches to the Enviro-Flo II accessory rail to create an outlet anywhere on the channel.

Enviro-Flo® II Accessories



9854 Strainer

Designed to fit a 4" diameter channel outlet hole, the strainer prevents debris from entering underground piping systems.



Chem-Calk 915 Sealant

Used to seal end caps and between channel sections. Can also be used as a sealant for custom miter or tee fabrications on the job site.



9931-EF Series Closing End Frame

The 9931 Frame attaches to the 9930 Enviro-Flo channel for Extra Heavy Duty Load Class E loads.

Available in Extra Heavy Duty Steel Frame (Painted Black), Extra Heavy Duty Stainless Steel, Extra Heavy Duty Galvanized Frame.

Utilizes QuickLok®. See page 63.



9853 Shovel Head

Shaped to match the inside diameter of all 4" I.D. channels, the 9853 Shovel Head is a convenient tool for channel cleaning.



9930-SSR Stainless Steel Rail

For aesthetic purposes only.

1 meter, 1/2 meter lengths. (Load Class "A" Grates)

When Load Class C or E are required, specify SSRHD.



9849NS Rante-Arrow

The 9849NS Rante-Arrow is designed for use with the 9930 and 9931 systems. The 9849NS Rante-Arrow firmly anchors the channel system in most sub-base conditions, eliminating flotation and allowing for a monolithic pour. Provides vertical and horizontal adjustments for quick and accurate elevation set.

Enviro-Flo® II Systems Customizations



Male Coupling

The male coupling allows two male channel ends to be joined together, offering contractors greater flexibility to make adjustments in the field.

Allows for a design that incorporates the high point in the middle of run.



Tee Connection

The tee connection allows contractors to make quick and easy tee connections in the field.



Custom Factory Fabrications

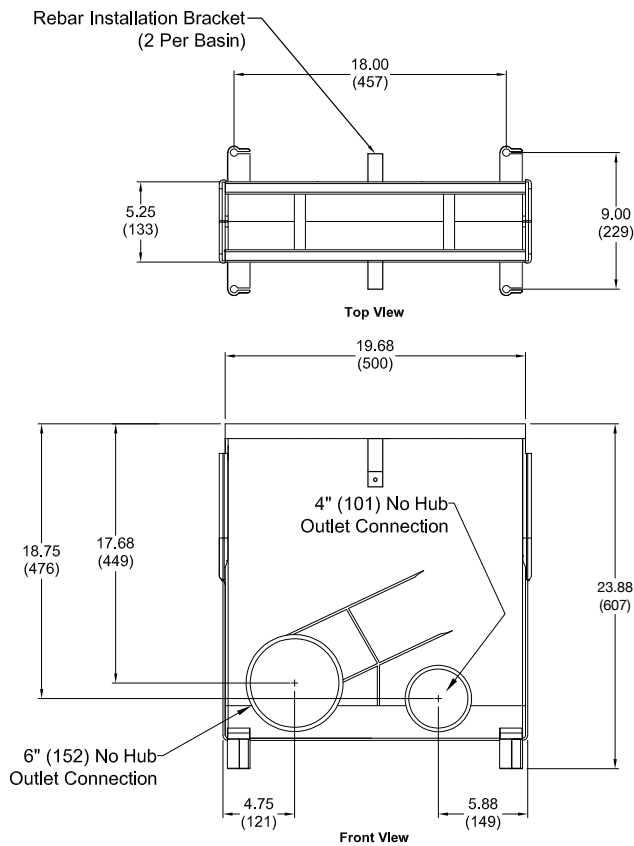
Factory fabrications are available upon request and are designed and manufactured to meet your specific requirements.

Catch Basins

9935/9936 Catch Basins with Trash Bucket



The 9935 and 9936 Series Catch Basins are the same width as the 9930 or 9931 Channels. They can be used with any style 9930 or 9931 frame and grate options. Trash bucket in plastic material is available for easy removal of debris. Reference pages 73 and 74 for complete grate information.



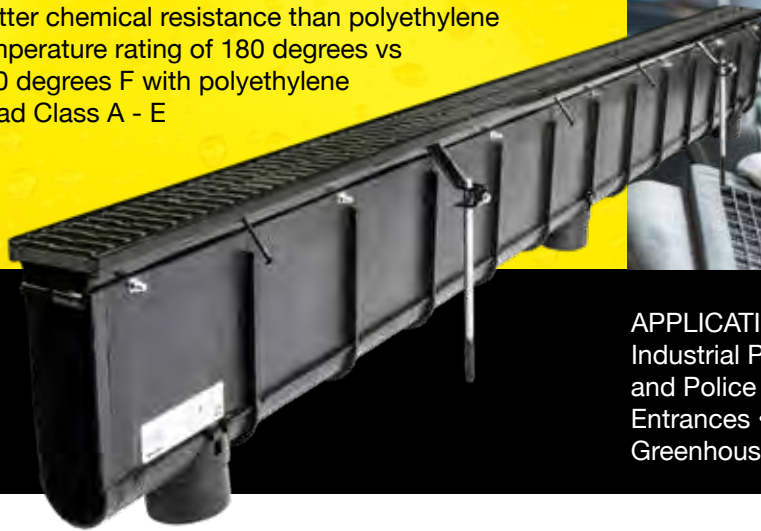
When 9936 is specified, add 1.12" (28) to overall height of catch basin shown

POLYPROPYLENE DRAIN SYSTEM



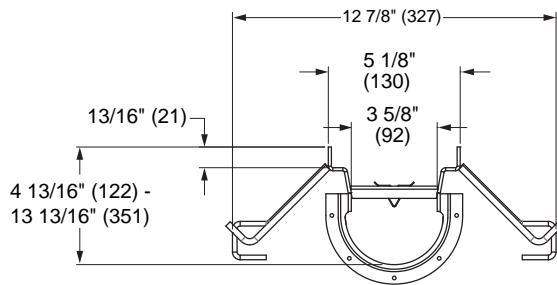
6" Wide Trench with Drains Extra Heavy Duty Frame- Figure 9940

- 0-60 feet in 6 sections
- Lighter weight and faster to install than polymer concrete
- Better chemical resistance than polyethylene
- Temperature rating of 180 degrees vs 140 degrees F with polyethylene
- Load Class A - E



APPLICATIONS

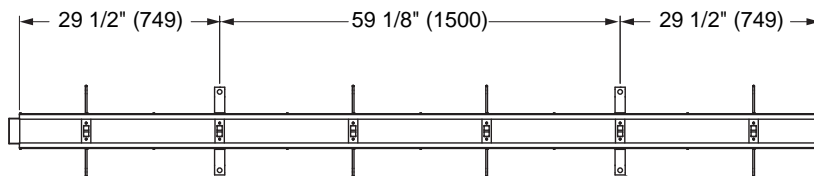
Industrial Plants • Warehousing • Pedestrian Walkways Fire and Police Stations • Commercial and Industrial Driveway Entrances • Petrochemical Processing Plants Greenhouses



ENLARGED END VIEW

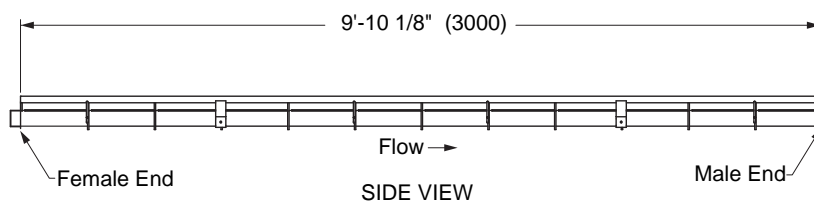
ZIP TRENCH™ FEATURES:

- **Fast, long, pre-assembled runs shipped from factory:**
9'-10" (3 meter) long channels
- 18 Channels - 12 sloping channels and 6 neutral channels from a depth of 4.81" to 13.81"
- Built-in slope .6%
- See grates on pages 73-74



TOP VIEW

Welded Installation Device For Rebar Support (4 Per Frame) (Rebar Posts By Others)

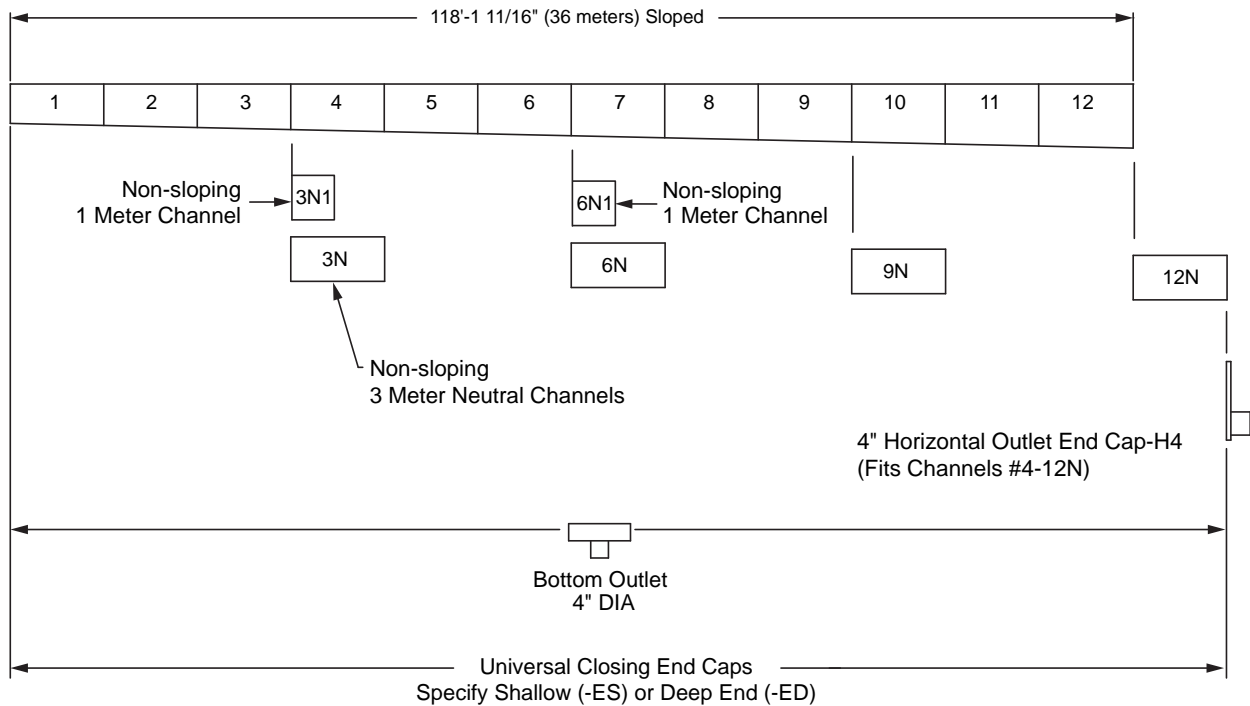


SIDE VIEW



JAY R. SMITH MFG. CO. 334.277.8520 www.jrsmith.com

6" Wide Trench Drain System Figure 9940



| Channel Number | Shallow End Invert | | Deep End Invert | | Slope | Single Channel | | Weight Lbs. Frame + Channel |
|----------------|--------------------|-----|-----------------|-----|-------|----------------|----------|--------------------------------|
| | Inch | mm | Inch | mm | | Est. CFS | Est. GPM | |
| 9940-1 | 4.81 | 122 | 5.56 | 141 | 0.6% | .29 | 130 | 38.00 |
| 9940-2 | 5.56 | 141 | 6.31 | 160 | 0.6% | .31 | 139 | 39.00 |
| 9940-3 | 6.31 | 160 | 7.06 | 179 | 0.6% | .34 | 153 | 40.00 |
| 9940-3N1 | 7.06 | 179 | 7.06 | 179 | 0.0% | | | 13.00 |
| 9940-3N | 7.06 | 179 | 7.06 | 179 | 0.0% | | | 40.00 |
| 9940-4 | 7.06 | 179 | 7.81 | 198 | 0.6% | .36 | 162 | 41.00 |
| 9940-5 | 7.81 | 198 | 8.56 | 267 | 0.6% | .39 | 175 | 42.00 |
| 9940-6 | 8.56 | 267 | 9.31 | 236 | 0.6% | .42 | 189 | 44.00 |
| 9940-6N1 | 9.31 | 236 | 9.31 | 236 | 0.0% | | | 15.00 |
| 9940-6N | 9.31 | 236 | 9.31 | 236 | 0.0% | | | 44.00 |
| 9940-7 | 9.31 | 236 | 10.06 | 256 | 0.6% | .45 | 202 | 45.00 |
| 9940-8 | 10.06 | 256 | 10.81 | 275 | 0.6% | .47 | 211 | 47.00 |
| 9940-9 | 10.81 | 275 | 11.56 | 294 | 0.6% | .49 | 220 | 49.00 |
| 9940-9N | 11.56 | 294 | 11.56 | 294 | 0.0% | | | 51.00 |
| 9940-10 | 11.56 | 294 | 12.31 | 313 | 0.6% | .53 | 238 | 51.50 |
| 9940-11 | 12.31 | 313 | 13.06 | 332 | 0.6% | .56 | 251 | 51.00 |
| 9940-12 | 13.06 | 332 | 13.81 | 351 | 0.6% | .58 | 261 | 51.00 |
| 9940-12N | 13.81 | 351 | 13.81 | 351 | 0.0% | | | 51.00 |

Note: Channel flow rates based on channels less grates and open ended.

Note: This trench drain system is designed for "on grade applications only" as there are no provisions for a flashing flange or flashing clamp. Please contact Jay R. Smith Trench Drain team at 800-467-6484 for assistance when flashing flange or flashing are required.

If a waterproof membrane is required please contact Jay R. Smith Mfg. Co. for details or an alternative.



Male/Female lap joints for speed

Welded rebar mounts on every 5' center

Polypropylene Material:

- Max temp of 180°F vs. 140°F for polyethylene
- Lighter weight and faster to install than cast-in-place.
- Better chemical resistance than polyethylene.
- Includes UV inhibitors.

Weight:

- Average weight—channel and frame without grates is 45 lbs.
- Grate weight is listed on pages 73-74.

Frames:

- One piece - 9.84' (3 meters) long.
- Ships assembled to channel
- 11 gauge
- *Extra heavy-duty painted steel frame is standard; also available in galvanized or stainless steel.*
- Channels have features that transfer the traffic load to encasement concrete, including:
 - Extra heavy-duty frames
 - 5 3/4" (3/8" diameter) anchoring lugs (8 per frame)
 - Welded-on rebar mounts



Anchoring lugs

Heavy polypropylene ribbing throughout to reinforce during concrete pour

Outlets

- Snap on 4" no-hub vertical outlet can be located virtually anywhere on the channel
- End outlets and end caps available. (see page 22)

Other Views:



Grate types:

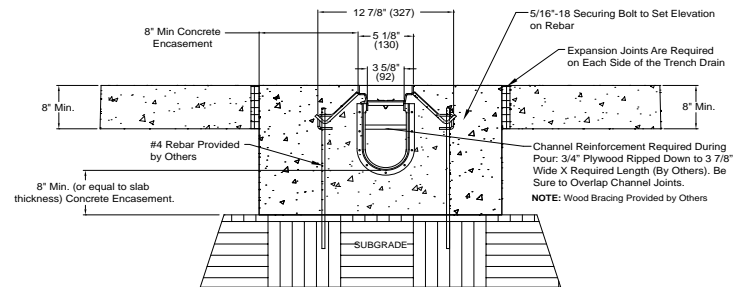
- Class A** - Stainless steel perforated and slotted
 - Galvanized steel perforated and slotted
 - Black polypropylene slotted and ADA
- Class B** - Stainless steel mesh
- Class C** - Stainless steel perforated, mesh and slotted
 - Galvanized steel perforated, mesh, slotted and brickslot
 - Ductile iron mosaic and decorative
 - Plastic resin slotted
- Class E** - Stainless steel slotted
 - Galvanized steel slotted
 - Ductile iron slotted and AD

See page 73-74 for grates.



LOAD CLASS E

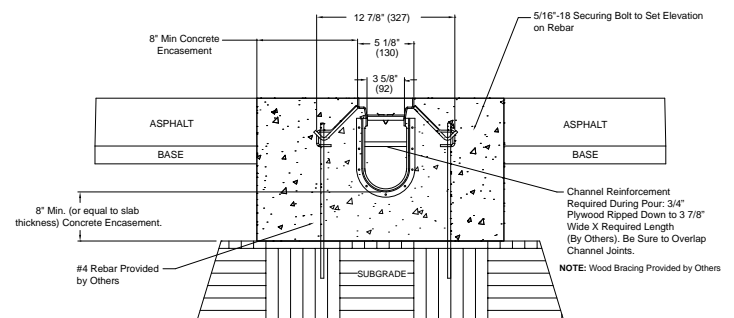
9940



INSTALLATION IN CONCRETE

LOAD CLASS E

9940



INSTALLATION IN ASPHALT

The ZIP Trench® Drain System must have an excavation with a minimum of 4 inches of bedding concrete on ALL sides. The bedding concrete should be equal to slab thickness. Deeper and wider excavations will be needed for catch basins. Each channel displays a number on the outside identifying its sequential location in the system. Arrows on both sides of the channel indicate flow direction. Channels should be laid out in numerical order alongside the completed excavation. For full installation details, please reference the 9940/9960 ZIP Trench™ Technical Installation Guide in the Resources section of our website, www.jrsmith.com

9940 SERIES ACCESSORIES



Horizontal Cap

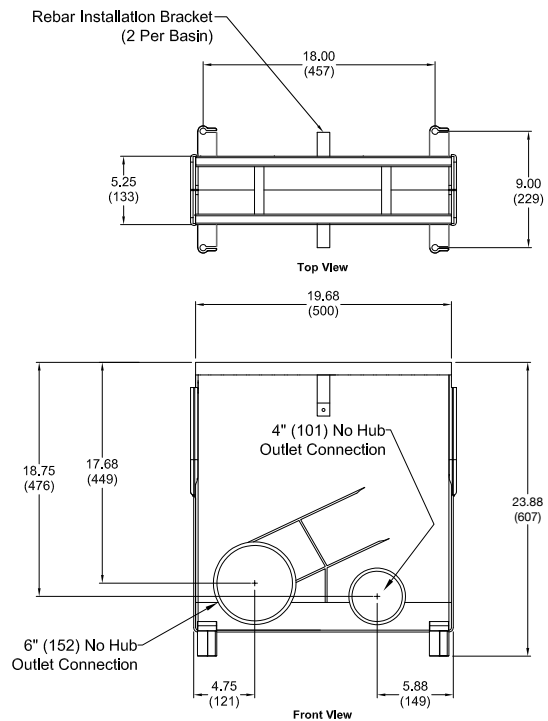


End Cap



4" No-Hub Vertical Outlet Fitting
(Snaps on anywhere on the channel)

9940-CB Catch Basin:

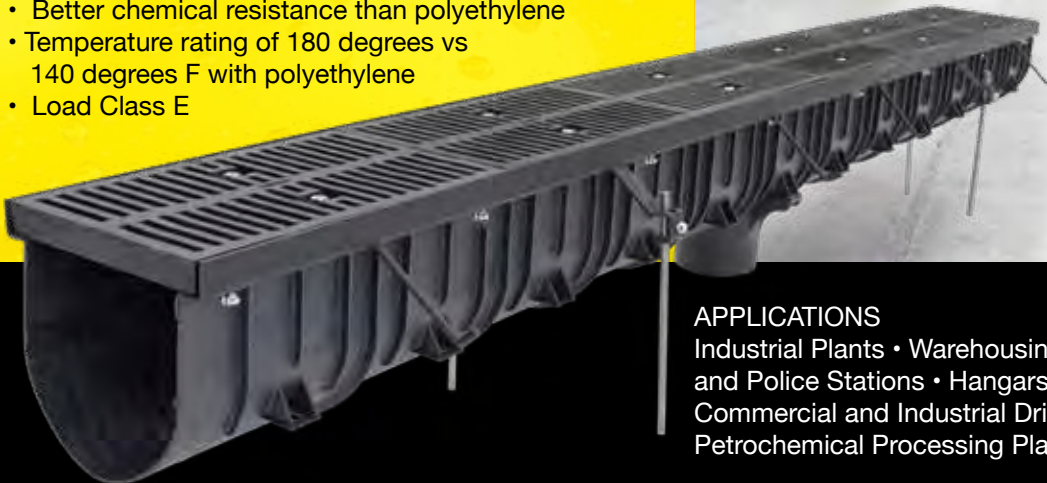


POLYPROPYLENE DRAIN SYSTEM



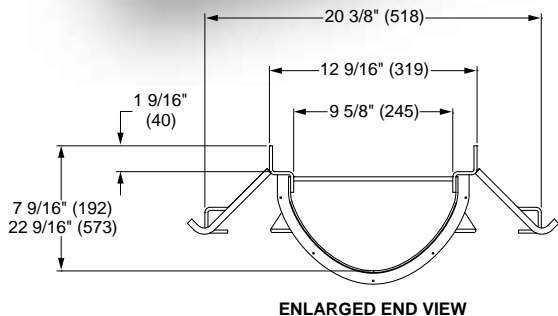
12" Wide Trench Drains - Figure 9960

- 0-60 feet in 6 sections
- Lighter weight and faster to install than polymer concrete
- Better chemical resistance than polyethylene
- Temperature rating of 180 degrees vs 140 degrees F with polyethylene
- Load Class E

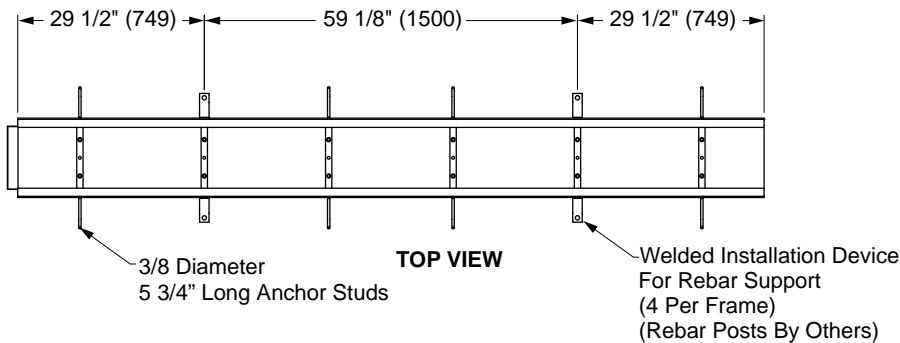


APPLICATIONS

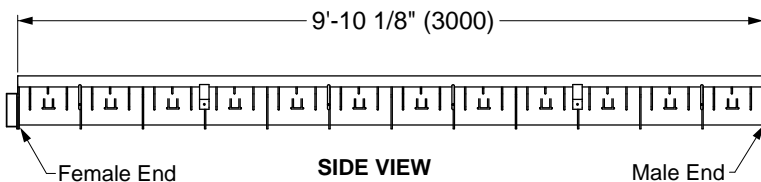
Industrial Plants • Warehousing • Pedestrian Walkways Fire and Police Stations • Hangars • Airports
Commercial and Industrial Driveway Entrances
Petrochemical Processing Plants • Greenhouses



ENLARGED END VIEW



TOP VIEW



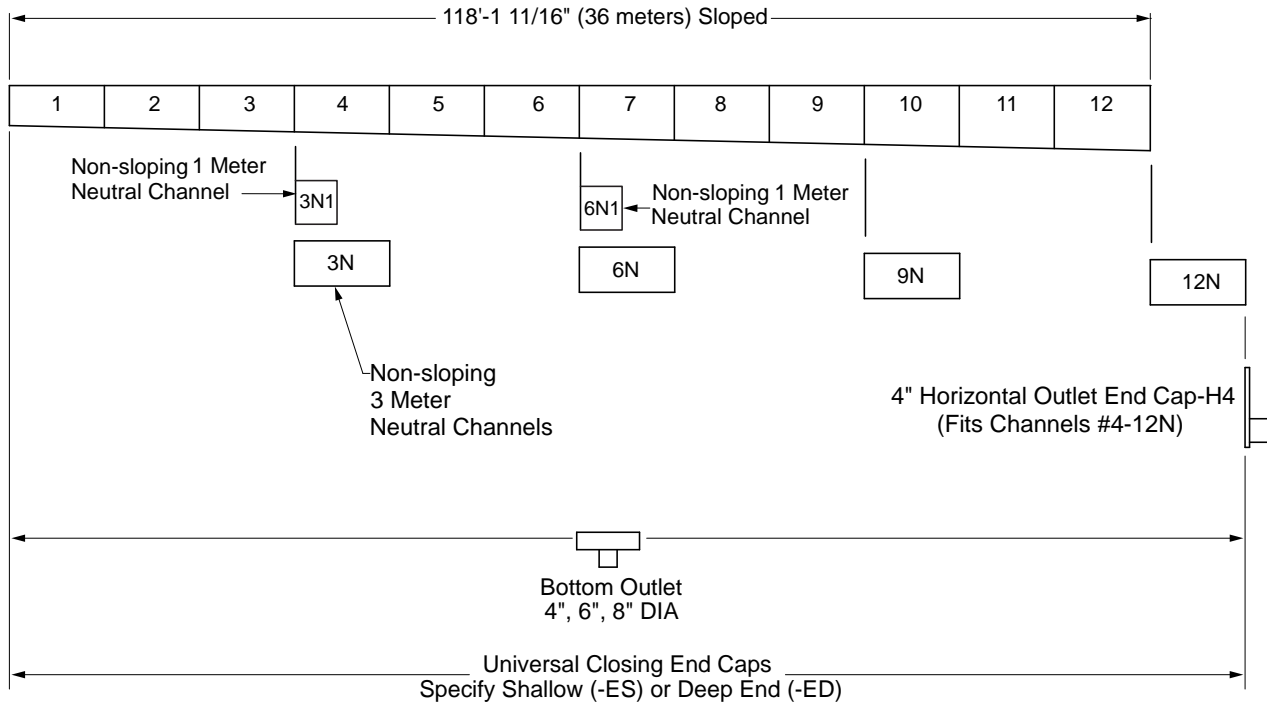
SIDE VIEW

ZIP TRENCH™ FEATURES:

- Fast, long, pre-assembled runs: 9'-10" (3 meter) long channels
- 18 channels—12 sloping and 6 neutral from a depth of 7-9/16" - 22-9/16"
- Built-in slope 1.07%
- 4 grate types:
 - Class C** - Stainless steel perforated and mesh
 - Galvanized steel perforated and mesh
 - Class E** - Ductile Iron ADA
 - Ductile Iron Slotted

FRONT & SIDE VIEWS:



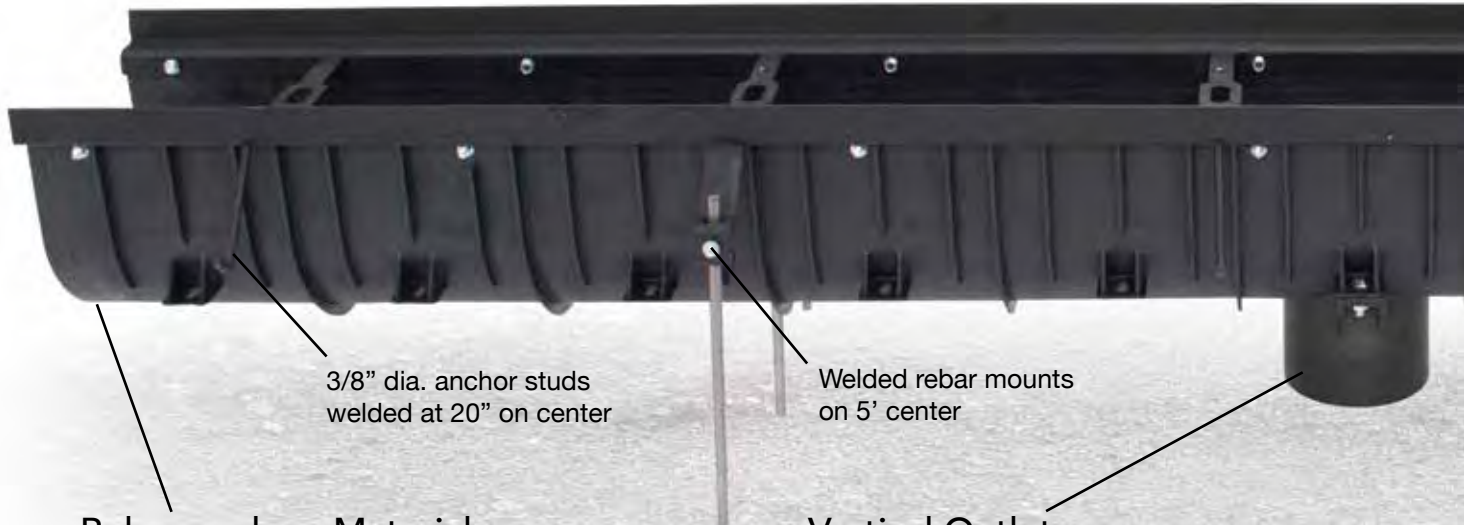


| HYDRAULIC CAPACITY AND DEEP END DEPTHS 9960 SYSTEM | | | | | | | | | |
|--|--------------------|-----|-------|-----------------|-----|-------|----------------|----------|-------------|
| Channel Number | Shallow End Invert | | Slope | Deep End Invert | | Slope | Single Channel | | Weight Lbs. |
| | Inch | mm | | Inch | mm | | Est. CFS | Est. GPM | |
| 9660-1 | 7.56 | 192 | 1.07% | 8.81 | 224 | 1.07% | 1.85 | 830 | 76.00 |
| 9660-2 | 8.81 | 224 | 1.07% | 10.06 | 256 | 1.07% | 2.68 | 1205 | 79.00 |
| 9660-3 | 10.06 | 256 | 1.07% | 11.31 | 287 | 1.07% | 3.13 | 1407 | 81.00 |
| 9660-3N1 | 11.31 | 287 | 0.0% | 11.31 | 287 | 0.0% | 1.04 | 469 | 30.00 |
| 9660-3N | 11.31 | 287 | 0.0% | 11.31 | 287 | 0.0% | 3.13 | 1407 | 81.00 |
| 9660-4 | 11.31 | 287 | 1.07% | 12.56 | 319 | 1.07% | 3.92 | 1760 | 83.00 |
| 9660-5 | 12.56 | 319 | 1.07% | 13.81 | 351 | 1.07% | 4.43 | 1990 | 86.00 |
| 9660-6 | 13.81 | 351 | 1.07% | 15.06 | 383 | 1.07% | 4.94 | 2220 | 89.00 |
| 9660-6N1 | 15.06 | 383 | 0.0% | 15.06 | 383 | 0.0% | 1.65 | 740 | 31.00 |
| 9660-6N | 15.06 | 383 | 0.0% | 15.06 | 383 | 0.0% | 4.94 | 2220 | 89.00 |
| 9660-7 | 15.06 | 383 | 1.07% | 16.31 | 414 | 1.07% | 5.46 | 2450 | 92.00 |
| 9660-8 | 16.31 | 414 | 1.07% | 17.56 | 446 | 1.07% | 5.97 | 2680 | 94.00 |
| 9660-9 | 17.56 | 446 | 1.07% | 18.81 | 478 | 1.07% | 6.48 | 2910 | 97.00 |
| 9660-9N | 18.81 | 478 | 0.0% | 18.81 | 478 | 0.0% | 6.48 | 2910 | 97.00 |
| 9660-10 | 18.81 | 478 | 1.07% | 20.06 | 510 | 1.07% | 7.00 | 3140 | 99.00 |
| 9660-11 | 20.06 | 510 | 1.07% | 21.31 | 541 | 1.07% | 7.51 | 3370 | 103.00 |
| 9660-12 | 21.31 | 541 | 1.07% | 22.56 | 573 | 1.07% | 8.00 | 3600 | 106.00 |
| 9660-12N | 22.56 | 573 | 0.0% | 22.56 | 573 | 0.0% | 8.00 | 3600 | 106.00 |

Note: Channel flow rates based on channels less grates and open ended.

Note: This trench drain system is designed for "on grade applications only" as there are no provisions for a flashing flange or flashing clamp.

If a waterproof membrane is required please contact Jay R. Smith Mfg. Co. for details or an alternative.



Polypropylene Material:

- Max temp of 180°F vs. 140°F for polyethylene
- Lighter weight and faster to install than cast-in-place
- Better chemical resistance than polyethylene
- Includes UV inhibitors

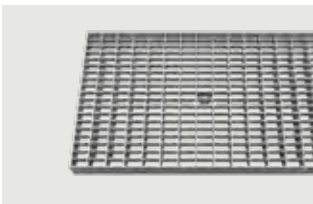
Vertical Outlets

- 4", 6", and 8" no-hub vertical outlets
- Mounting lugs on every 9-13/16" centers
- End outlets and end caps available

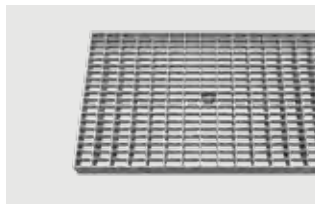
ZIP TRENCH™ GRATES

Heavy Duty

EN1433 **Load Class C**: 56,000 lbs - 1,162 psi. For commercial pneumatic tire traffic patterns, HS20 rated and tractor trailers.



Stainless Steel Mesh Grate -SSM
Lengths: 1 meter, ½ meter



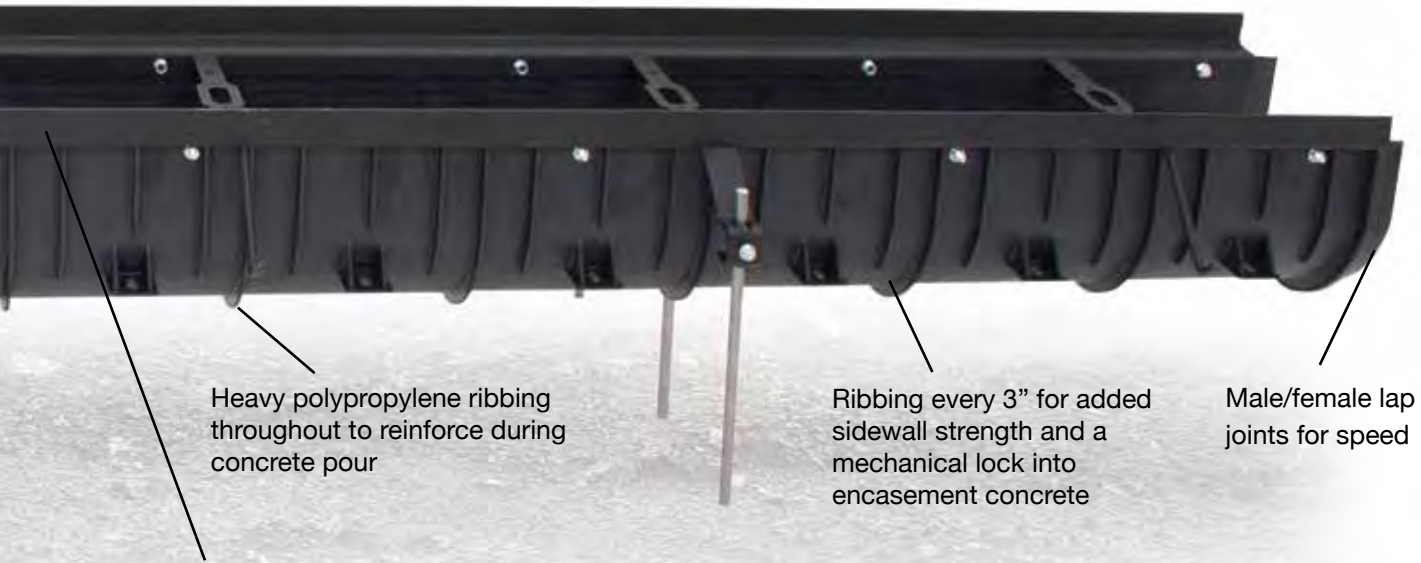
Galvanized Steel Mesh grate -GM
Lengths: 1 meter, ½ meter



Perforated Galv. Steel Grate -GP
Lengths: 1 meter, ½ meter



Perforated Stainless Steel Grate - SSP
Lengths: 1 meter, ½ meter



Heavy polypropylene ribbing throughout to reinforce during concrete pour

Ribbing every 3" for added sidewall strength and a mechanical lock into encasement concrete

Male/female lap joints for speed

Frames:

- One piece - 9'-10" (3 meters) long. Frame Ships assembled to channel
- 7 gauge
- Extra heavy-duty painted steel frame is standard
- Transfers traffic load to surrounding concrete
- Optional Galvanized or Stainless Steel Frames

Weight:

- Average weight—channel and frame without grates is 91 lbs

Extra Heavy Duty

EN1433 **Class E**: 135,000 lbs - 2,788 psi. For commercial solid tire traffic patterns, forklifts and impacts from steel struts or metal wheels.



Ductile Iron ADA Grate -MADA
Length: ½ meter



Ductile Iron ADA Grate -MADAC
Length: ½ meter



Ductile Iron Slotted Grate -M
Length: ½ meter

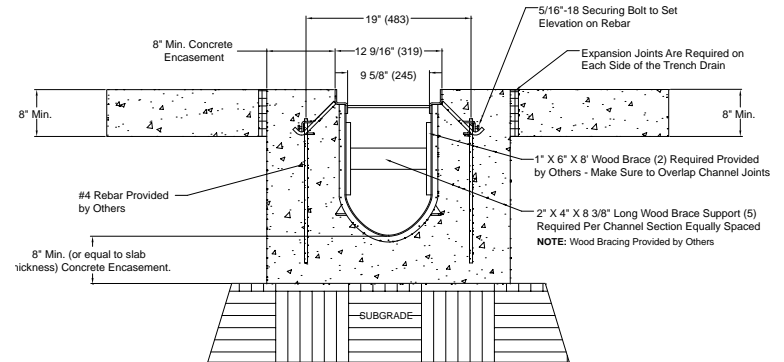


Ductile Iron Slotted Grate -MC
Length: ½ meter



LOAD CLASS C

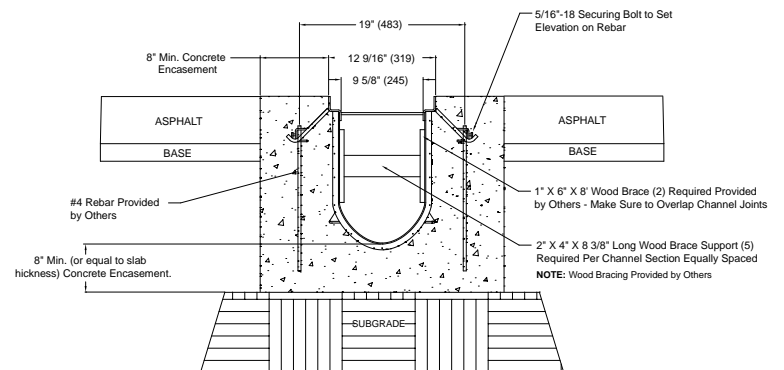
9960



INSTALLATION IN CONCRETE

LOAD CLASS C

9960



INSTALLATION IN ASPHALT

The ZIP Trench® Drain System must have an excavation with a minimum of 4 inches of bedding concrete on ALL sides. The bedding concrete should be equal to slab thickness. Deeper and wider excavations will be needed for catch basins. Each channel displays a number on the outside identifying its sequential location in the system. Arrows on both sides of the channel indicate flow direction. Channels should be laid out in numerical order alongside the completed excavation. For full installation details, please reference the 9940/9960 ZIP Trench™ Technical Installation Guide in the Resources section of our website, www.jrsmith.com

Zip Trench™ Accessories



4", 6" and 8
 Universal
 Horizontal Cap

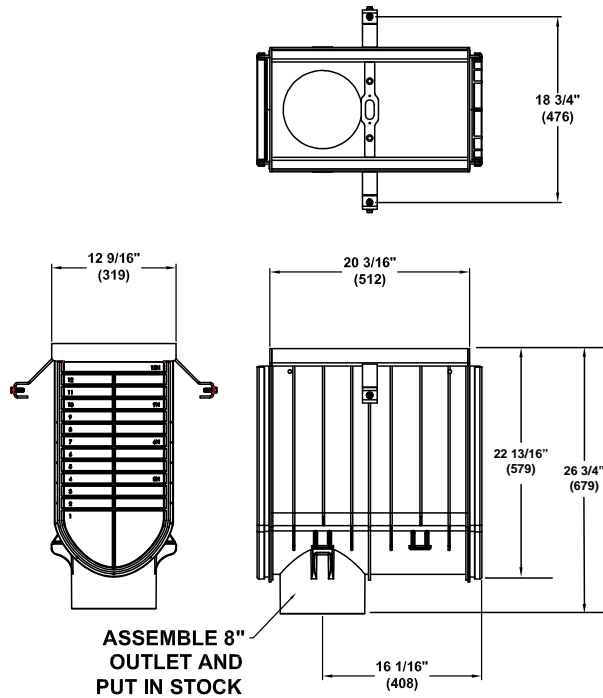


End Cap



4", 6", and 8" No-Hub
 Vertical Outlet Fitting

9960-CB Catch Basin:



STAINLESS STEEL TRENCH DRAINS

MODULAR • SLOPED • NON-SLOPING • SHALLOW
SHOWER TROUGH • THRESHOLD • SLOT



9660 with flashing clamp/clamping collar



Figure Number 9660



Figure Number 9660-10N

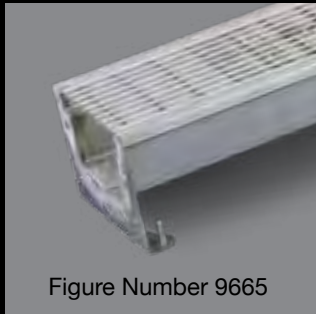


Figure Number 9665



Figure Number 9666

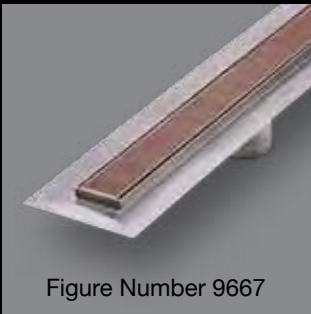


Figure Number 9667



Figure Number 9675

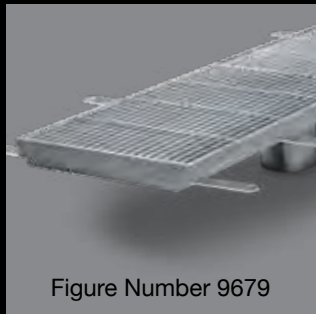


Figure Number 9679

- Figure Number 9660-10N - 6" Wide Stainless Steel Neutral Modular Trench Drains
- Figure Number 9660 - 6" Wide Stainless Steel Modular Trench Drains
- Figure Number 9665 - 6" Wide Shallow Stainless Steel Modular Trench Drains
- Figure Number 9666 - 2" Wide Stainless Steel ADA Shower Drain with Flashing Flange, Clamp and Slope
- Figure Number 9667 - 2" Fine-Line® Stainless Steel ADA Shower Drains
- Figure Number 9675 - Trough/Kettle Stainless Steel Drains
- Figure Number 9679 - Threshold Stainless Steel Drains

- All drains constructed from type 304 Stainless Steel, type 316 Stainless Steel is optional
- Sanitary Food Service, Pharmaceutical Plants, Food and Beverage, Breweries, Chemical Resistance, Aesthetics
- Pre-engineered with a .6% built in slope
- 1 meter lengths (39.36"), flanged bolt together ends with gaskets or sealant



Figure Number 9671 Slot Trench Drain

Figure Number-9671 Slot Trench Drain

See our 9671 'Slot' Stainless Steel Trench Drain on our website!

REGULARLY FURNISHED:

- 16 Ga, type 304 Stainless Steel
- 3/4" wide slot and 2 5/8" wide throat with 1% slope
- Channels available with inverts ranging from 4" to 16 1/2"



STAINLESS STEEL DRAINS

6" Wide Neutral Modular Trench Drains Figure 9660-10N-Y

- Ideal for use in kitchens and other areas where trough drains are required
- Excellent for sanitation purposes
- "Best In Class" heavy duty type 304 stainless steel construction
- Corrosion and vandal-resistant
- Modular trench drain body sections
- Load Class A - E



APPLICATIONS

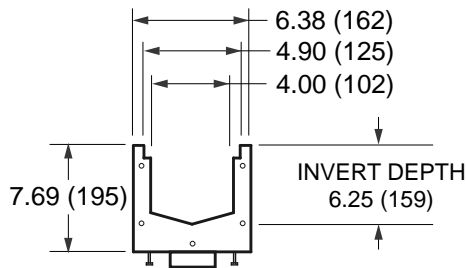
Commercial Kitchens • Bars • Hotels • Restaurants
Pharmaceutical Cleanrooms • Chemical Plants
Chemical Storage Areas • Double Containment

FEATURES:

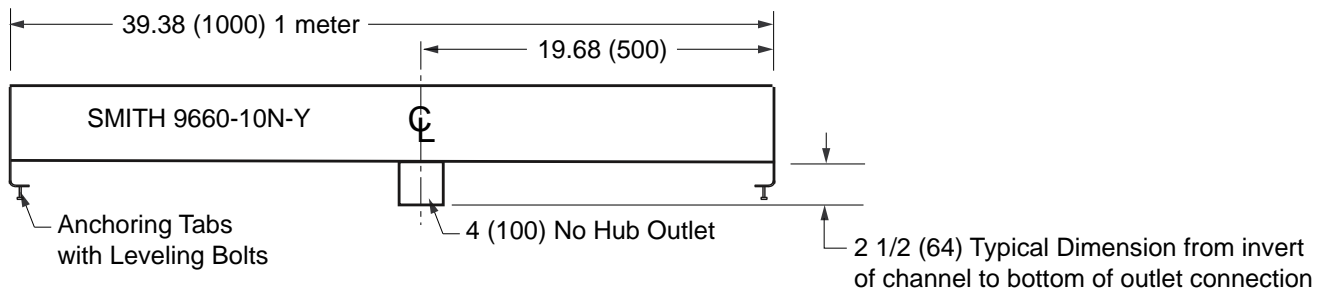
- Stainless steel trench drain is 39.38" long (1m), 6.38" wide and has a 4" wide throat with bolting end plates
- Complete with dome bottom strainer, leveling studs and stainless steel 9870-466-SBG bar grate
- Available with 4" center outlet for trough drain configuration

OPTIONS:

- Grating Load Classes A-E
- 316 Stainless Steel
- Flashing Flange and Collar



END VIEW OF CHANNEL



SIDE VIEW OF CHANNEL



See page 69-70 for grates.

JAY R. SMITH MFG. CO. 334.277.8520 www.jrsmith.com



STAINLESS STEEL DRAINS

6" Wide Modular Trench Drains Figure 9660

- "Best In Class" heavy duty type 304 stainless steel construction
- Corrosion and vandal-resistant
- Pre-sloped modular trench drain body sections
- Option: 316 Stainless Steel
- Load Class A - E

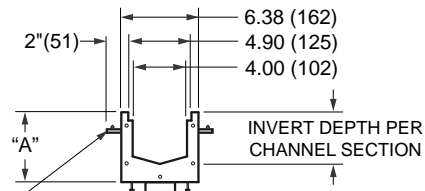


APPLICATIONS

Food Processing • Bottling Plants • Hospitals
Commercial Kitchens • Pharmaceutical cleanrooms
Chemical Plants • Chemical Storage Areas
Double Containment

FEATURES

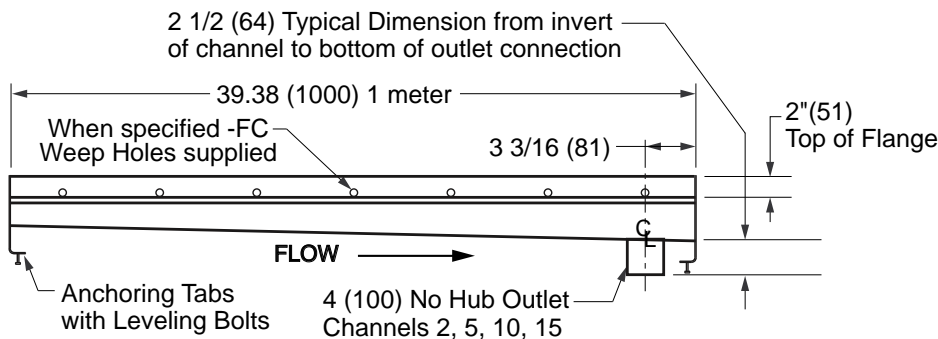
- Stainless steel trench drain channels are 39.38" long (1m), 6.38" wide, and have a 4" wide throat with bolting end plates
- Ideal for facilities where hygiene, corrosion resistance, and visibility are imperative
- Available with inverts ranging from 3.75" to 7.50"
- There are 15, 1-meter long sloping, 4, 1-meter non-sloping and 2, 1/2-meter non-sloping channels and catch basins available
- Supplied with secured stainless steel 9870-450-SS slotted grate



| | | | |
|---------|------------|-----|------------|
| Channel | 1 thru 6 | "A" | 6.44 (164) |
| Channel | 7 thru 11 | "A" | 7.69 (195) |
| Channel | 12 thru 15 | "A" | 8.94 (227) |

END VIEW OF CHANNEL

Flashing Flange and Collar (When Specified)



SIDE VIEW OF CHANNEL

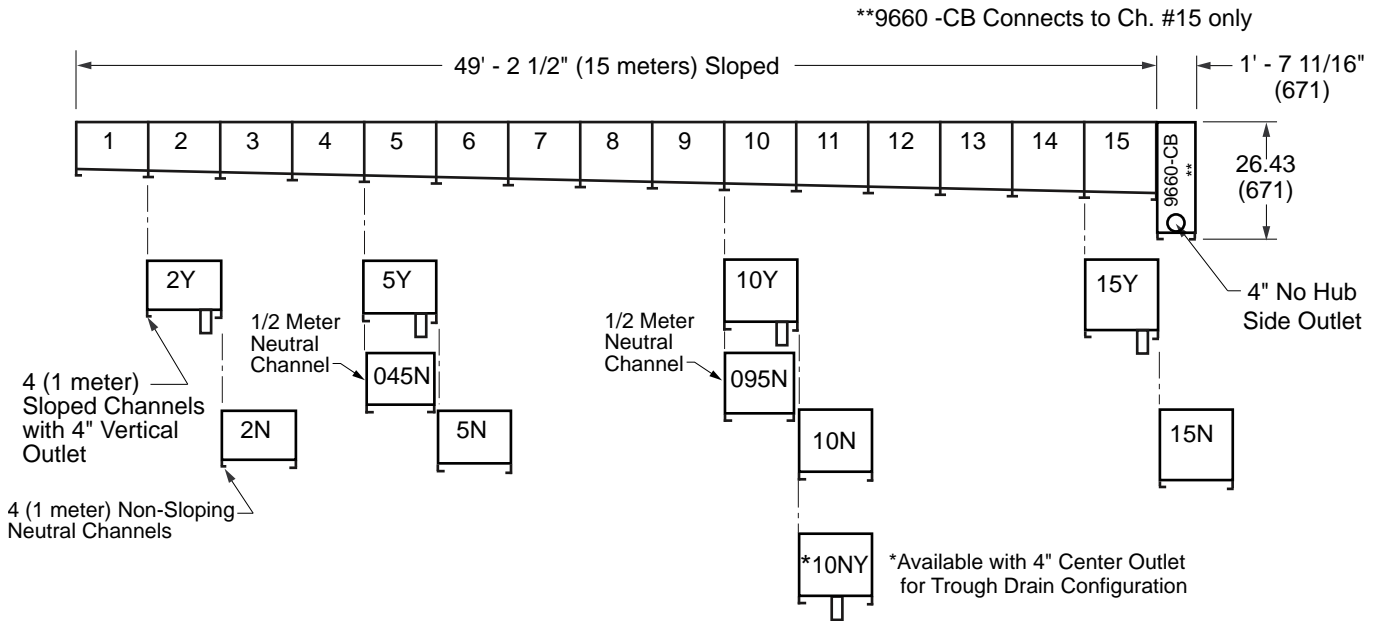
OPTIONS:

- Grating Load Classes A-E
- 316 Stainless Steel
- Flashing Flange and Collar

See page 73-74 for grates.



6" Wide Modular Stainless Steel Trench Drains - Figure 9660



STAINLESS STEEL TRENCH DRAIN - AVAILABLE SECTIONS

| Channel Number | Shallow Invert Depth | Deep Invert Depth | "A" Body Height Deep End | Bottom Outlet Size Avail. | End Outlet Size Avail. | Max Flow Rate* | |
|----------------------|----------------------|-------------------|--------------------------|---------------------------|------------------------|----------------|-----|
| | | | | | | GPM | CFS |
| 9660-1 | 3.75 (95) | 4.00 (102) | 6.44 (164) | - | | 102 | .23 |
| 9660-2 | 4.00 (102) | 4.25 (108) | 6.44 (164) | - | 2" | 115 | .26 |
| 9660-2 Outlet -Y | 4.00 (102) | 4.25 (108) | 6.44 (164) | 4" | | 115 | .26 |
| 9660-2 Neutral | 4.25 (108) | 4.25 (108) | 6.44 (164) | - | 2" | 115 | .26 |
| 9660-3 | 4.25 (108) | 4.50 (114) | 6.44 (164) | - | | 128 | .29 |
| 9660-4 | 4.50 (114) | 4.75 (121) | 6.44 (164) | - | | 141 | .31 |
| 9660-045 1/2 Neutral | 4.75 (121) | 4.75 (121) | 6.44 (164) | - | | 141 | .31 |
| 9660-5 | 4.75 (121) | 5.00 (127) | 6.44 (164) | - | 2", 3" | 154 | .34 |
| 9660-5 Outlet -Y | 4.75 (121) | 5.00 (127) | 6.44 (164) | 4" | | 154 | .34 |
| 9660-5 Neutral | 5.00 (127) | 5.00 (127) | 6.44 (164) | - | 2", 3" | 154 | .34 |
| 9660-6 | 5.00 (127) | 5.25 (133) | 6.44 (164) | - | 2", 3" | 167 | .37 |
| 9660-7 | 5.25 (133) | 5.50 (140) | 7.69 (195) | - | | 183 | .41 |
| 9660-8 | 5.50 (140) | 5.75 (146) | 7.69 (195) | - | | 196 | .44 |
| 9660-9 | 5.75 (146) | 6.00 (152) | 7.69 (195) | - | | 209 | .47 |
| 9660-095 1/2 Neutral | 6.00 (152) | 6.00 (152) | 7.69 (195) | - | | 209 | .47 |
| 9660-10 | 6.00 (152) | 6.25 (159) | 7.69 (195) | - | 2", 3", 4" | 222 | .50 |
| 9660-10 Outlet -Y | 6.00 (152) | 6.25 (159) | 7.69 (195) | 4" | | 222 | .50 |
| 9660-10 Neutral | 6.25 (159) | 6.25 (159) | 7.69 (195) | - | 2", 3", 4" | 222 | .50 |
| 9660-10 N-Outlet -Y | 6.25 (159) | 6.25 (159) | 7.69 (195) | 4" | | 222 | .50 |
| 9660-11 | 6.25 (159) | 6.50 (165) | 7.69 (195) | - | | 235 | .52 |
| 9660-12 | 6.50 (165) | 6.75 (171) | 8.94 (227) | - | | 248 | .55 |
| 9660-13 | 6.75 (171) | 7.00 (178) | 8.94 (227) | - | | 261 | .58 |
| 9660-14 | 7.00 (178) | 7.25 (184) | 8.94 (227) | - | | 274 | .61 |
| 9660-15 | 7.25 (184) | 7.50 (190) | 8.94 (227) | - | 2", 3", 4" | 287 | .64 |
| 9660-15 Outlet -Y | 7.25 (184) | 7.50 (190) | 8.94 (227) | 4" | | 287 | .64 |
| 9660-15 Neutral | 7.50 (190) | 7.50 (190) | 8.94 (227) | - | 2", 3", 4" | 287 | .64 |

*Based on open-ended channel less grate with no outlet cap

STAINLESS STEEL TRENCH DRAINS

6" Wide Shallow Modular Trench Drains Figure 9665

- "Best In Class" heavy duty type 304 stainless steel construction
- Corrosion and vandal-resistant
- Non-sloped modular trench drain body sections
- Load Class A - E

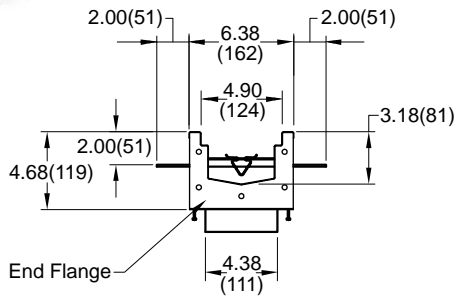


APPLICATIONS

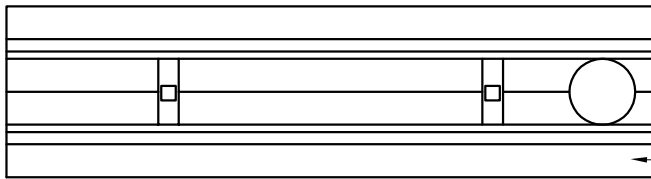
Bottling Plants • Hotels • Restaurants • Chemical Plants
Chemical Storage Areas • Double Containment

FEATURES

- Stainless steel trench drain channels are 39.38" long (1m), 6.38" wide, and have a 4" wide throat with bolting end plates
- Channel invert 3.18"
- Regularly furnished with secured light duty 9870-450-SS slotted stainless steel grate

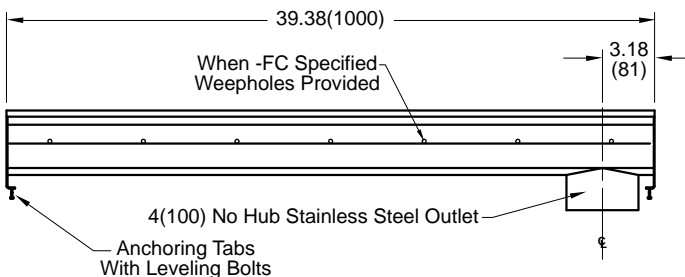


End View of Channel



Anchor Flange or
Flashing Flange/Clamp
(When Specified)

Top View of Channel



Side View of Channel

NOTE: Dimensions shown in parentheses are in millimeters.

OPTIONS:

- Grating Load Classes A-E
- 316 Stainless Steel
- Flashing Flange and Collar

See page 69-70 for grates.



STAINLESS STEEL SHOWER DRAINS

2" Wide ADA Shower Drains with Flashing Flange, Clamp and Slope
Figure 9666

- Durable stainless drain construction
- Vandal-proof
- ADA compliant perforated grating
- Engineered System



APPLICATIONS

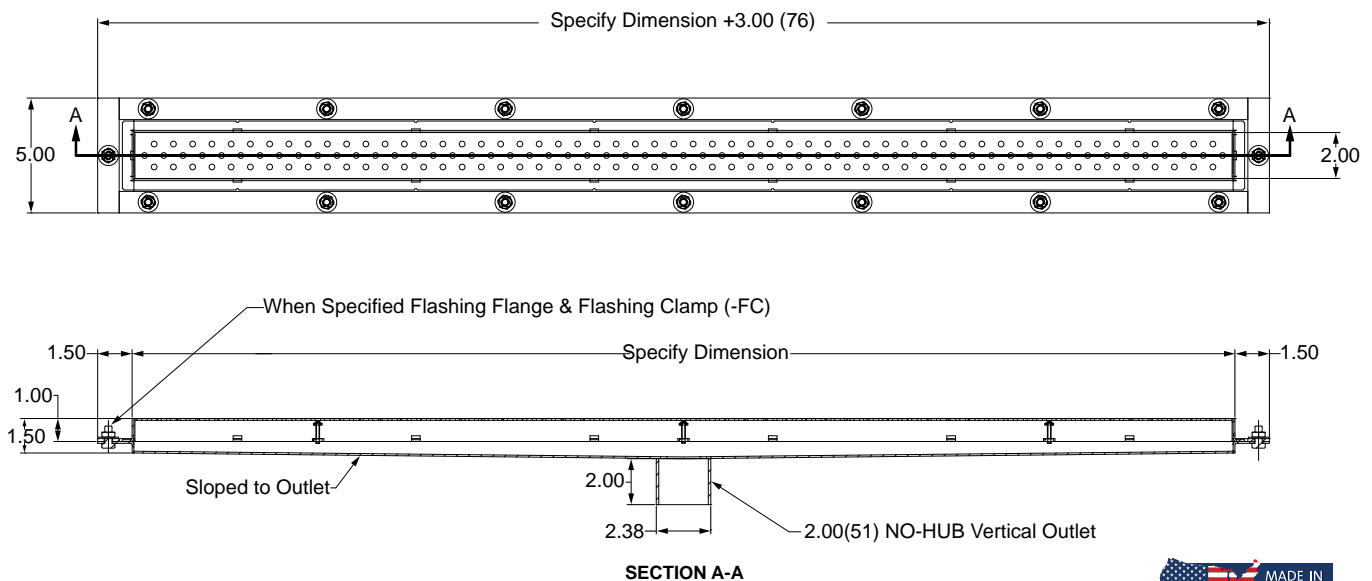
Hospitals • Rehabilitation Facilities
Behavioral Healthcare • Nursing Homes

FEATURES:

- Fabricated 14-gauge type 304 stainless steel body
 - Vandal-resistant stainless steel perforated grate
 - 2" No-Hub bottom outlet
 - Standard grate has .25" diameter perforations
 - Optional decorative grating available: tile inlay, slotted, wave and solid rim flow
- See submittal for details

OPTIONS:

- Vandal-resistant
- 316 Stainless Steel



STAINLESS STEEL SHOWER DRAINS

2" Fine-Line® ADA Shower Drains Figure 9667

- Add artful design to your shower stall
- Pairs perfectly with natural stone, marble, ceramic tile, porcelain and solid surface
- ADA compliant



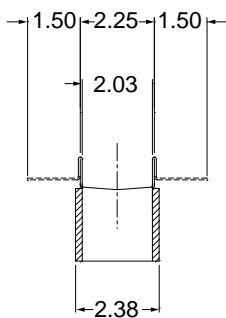
APPLICATIONS

Residential Designer Showers • Homes • Apartments
Condominiums • Luxury Hotels • Country Clubs

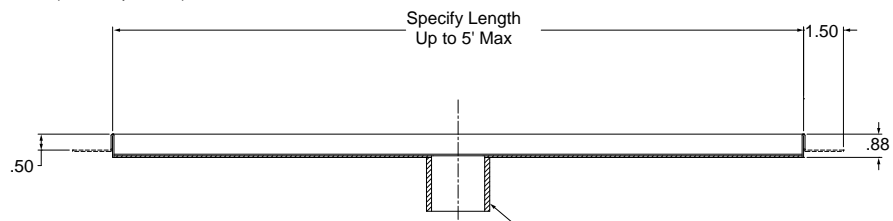
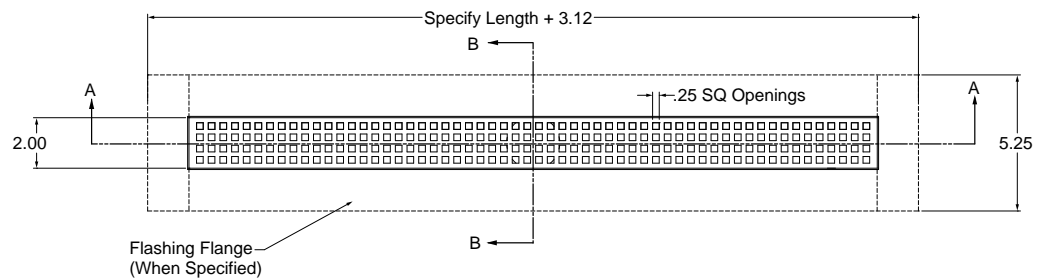
FEATURES:

- Stainless steel drain body with satin finish grates
- Customize your drain with designer grate options for a soothing, artistic, or clean and elegant look

Fine[®] Line | Linear Shower Drains



SECTION B-B

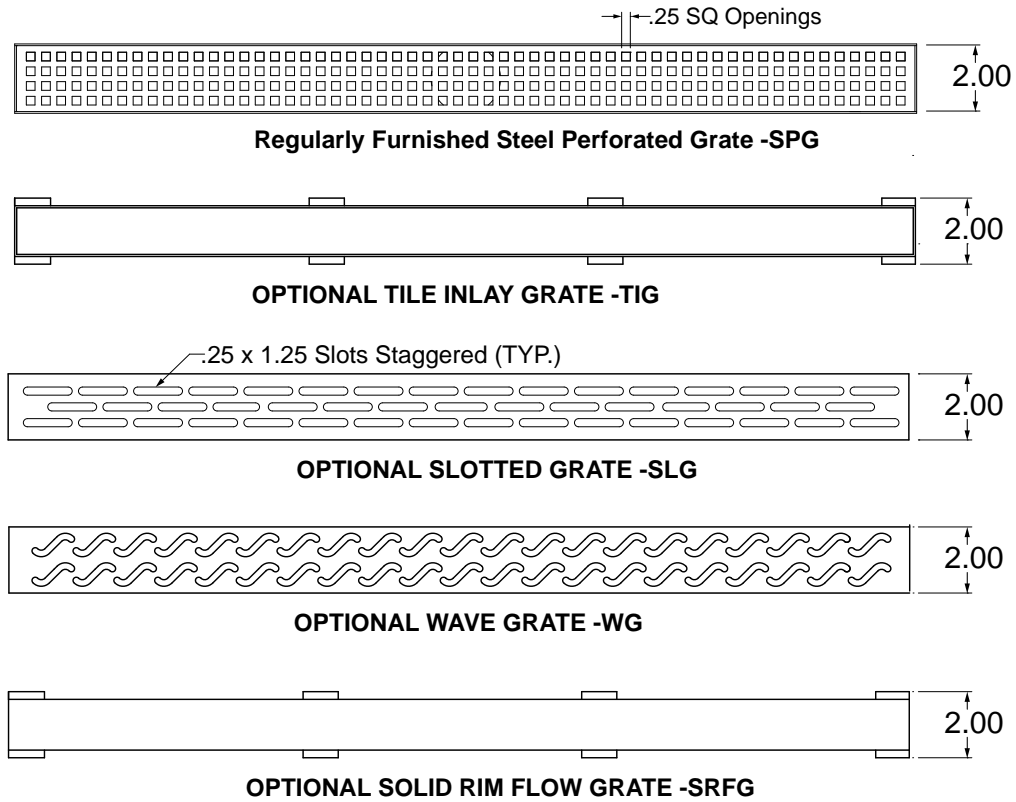


SECTION A-A

2" NO-HUB Outlet



2" Fine-Line® Stainless Steel ADA
Shower Drains - Figure 9667



Fine-Line® Linear Shower Drains

OPTIONS

- Type 316 stainless steel
- Vandal-Proof grates
- Custom lengths/Multiple outlets
- Flashing Flange



Fine-Line® Grates



Tile Inlay Grate -TIG



Slotted Grate -SLG



Wave Grate -WG



Solid Rim Flow Grate -SRFG



Regularly Furnished SS Perforated Grate -SPG



STAINLESS STEEL DRAINS

'Trough/Kettle' Drains Figure 9675

- Ideal for large commercial kitchens
- Durable and versatile
- Used as kettle drains, floor drains or trough drains
- Load Class A and B



APPLICATIONS

Commercial Kitchens • Food Processing Areas

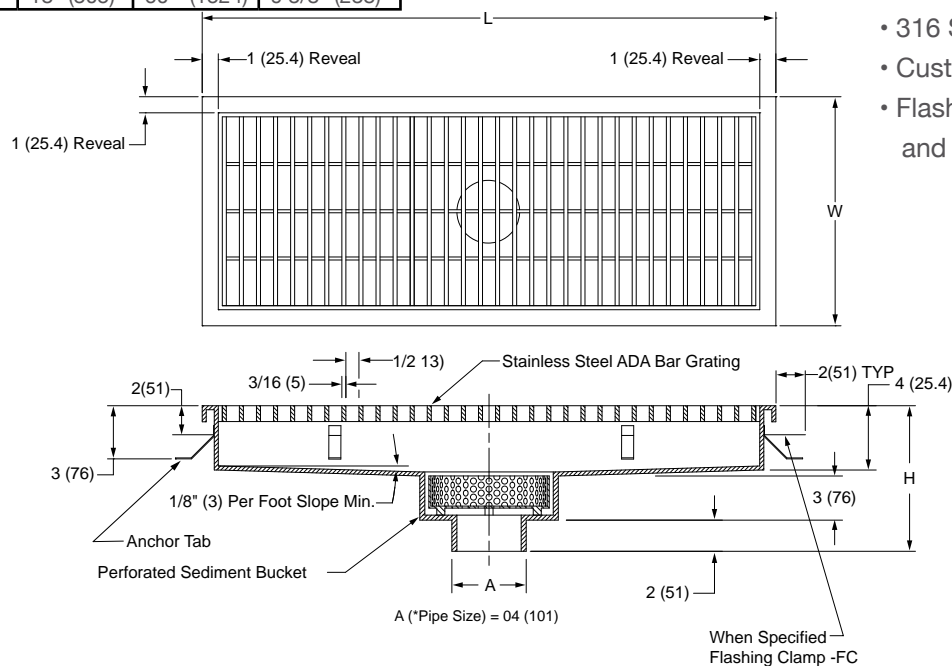
| AVAILABLE SIZES | W | L | H |
|-----------------|-----------|------------|---------------|
| 9675-1224 | 12" (305) | 24" (610) | 9 1/8" (232) |
| 9675-1236 | 12" (305) | 36" (914) | 9 3/16" (233) |
| 9675-1248 | 12" (305) | 48" (1219) | 9 1/4" (235) |
| 9675-1260 | 12" (305) | 60" (1524) | 9 3/8" (238) |
| 9675-1824 | 18" (305) | 24" (1524) | 9 1/8" (232) |
| 9675-1836 | 18" (305) | 36" (1524) | 9 3/16" (233) |
| 9675-1848 | 18" (305) | 48" (1524) | 9 1/4" (235) |
| 9675-1860 | 18" (305) | 60" (1524) | 9 3/8" (238) |

FEATURES:

- Fabricated 14-gauge type 304 stainless steel body
- Sediment bucket
- 4" No-Hub bottom outlet
- Anchor tabs and stainless steel light duty bar grating
- Subway style grate

OPTIONS:

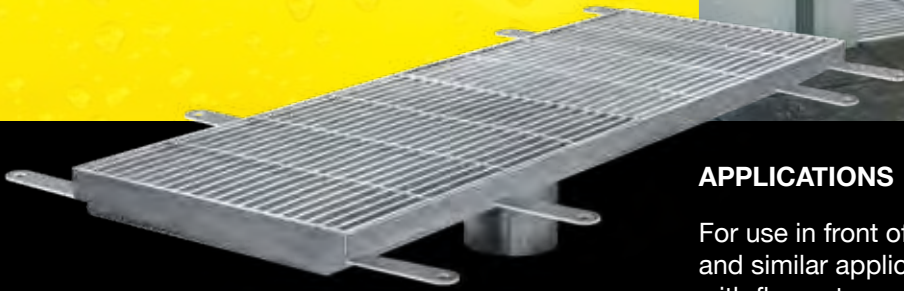
- 316 Stainless Steel
- Custom Grating
- Flashing Flange and Collar



STAINLESS STEEL DRAINS

Threshold Drains™ Figure 9679

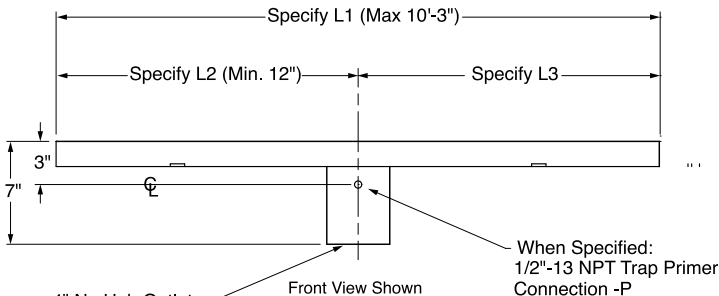
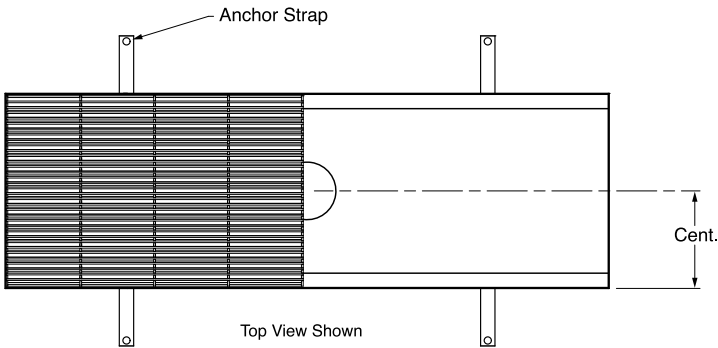
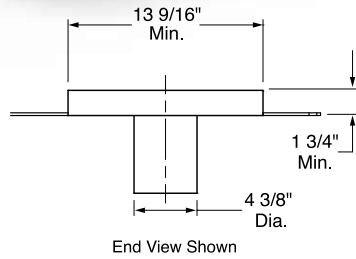
- Heel-proof grate prevents injury
- Customizable to work with all building structure conditions
- Easily removable grating for fast cleaning and maintenance
- Complies with nationwide Building/Fire Codes
- ADA compliant
- 1.75" deep for post tension slabs
- Load Class C



APPLICATIONS

For use in front of elevators, doorways, stairways and similar applications to receive and drain water with flow rates up to 100 GPM with no bypass.

Specify from 42" to
Max 10'3"



Specify Length L1 In Inches
Minimum Length To Meet 100 GPM Requirement = 3'-6"
Maximum Length To Meet 100 GPM Requirement = 10'-3"

FEATURES:

- Complies with 2013 California Building Code 403.6.1, 403.6.2, 3007.4, 3008.4
- Complies with San Francisco Fire Code, Section 511.1.4
- IBC Code 3007.3 Water protection. The occupant evacuation elevator hoistway and associated elevator landings shall be designed by an approved method to prevent water from infiltrating into the shaft enclosure
- For use in front of elevator doors and similar applications
- Third party certified to 100 gpm flow rate with no bypass
- ADA compliant
- Heel-proof
- 1 3/4" deep; does not disturb post-tension slabs
- 304 Stainless Steel
- Removable grating

OPTIONS

- 316 Stainless Steel
- Tile Inlay Grate
- Anchor Straps
- Trap Primer Connection



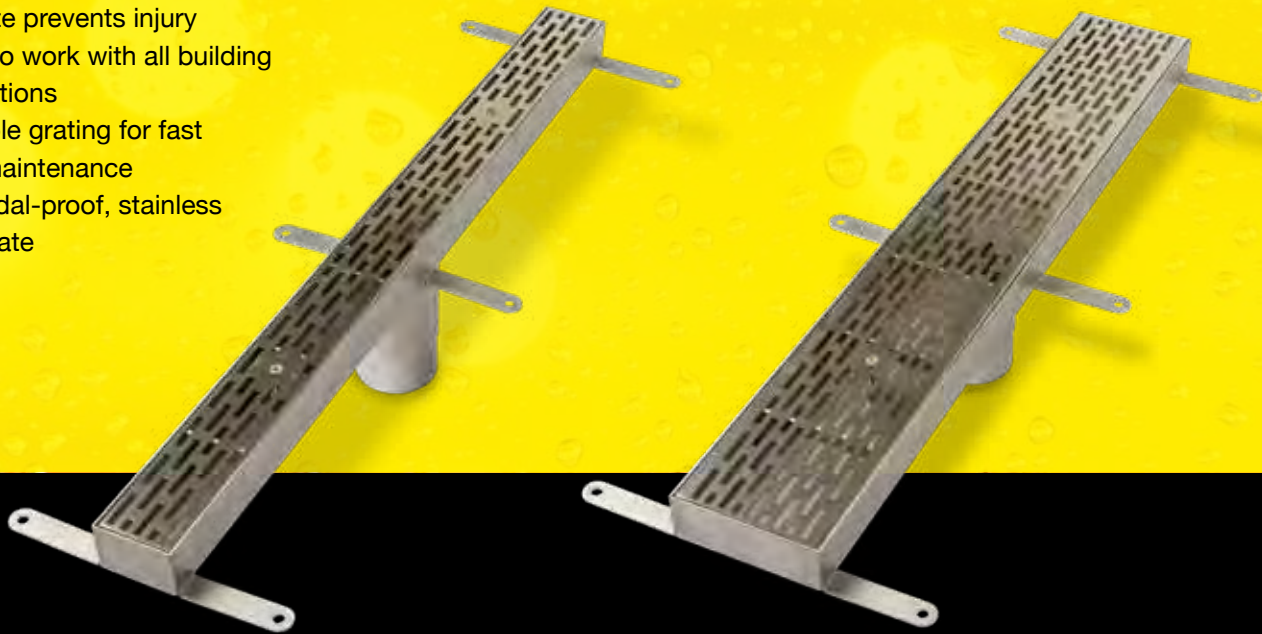
Patent #10,167,621



STAINLESS STEEL DRAINS

Threshold Drains™ Figures 9678-25, 9678-50, 9678-75, and 9678-100

- Heel-proof grate prevents injury
- Customizable to work with all building structure conditions
- Easily removable grating for fast cleaning and maintenance
- Light duty, vandal-proof, stainless steel slotted grate
- ADA compliant

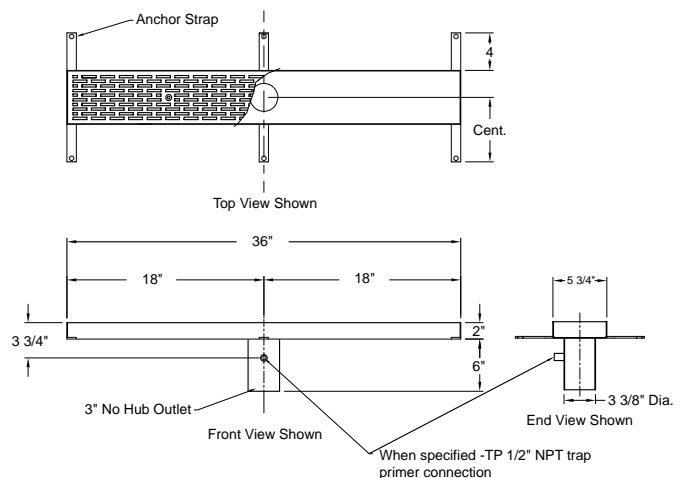
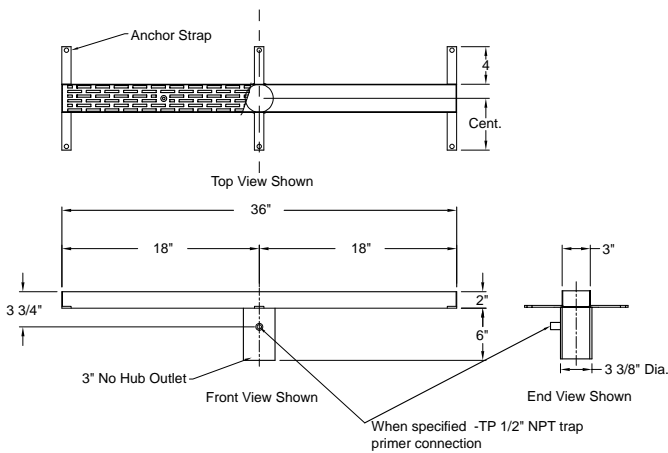


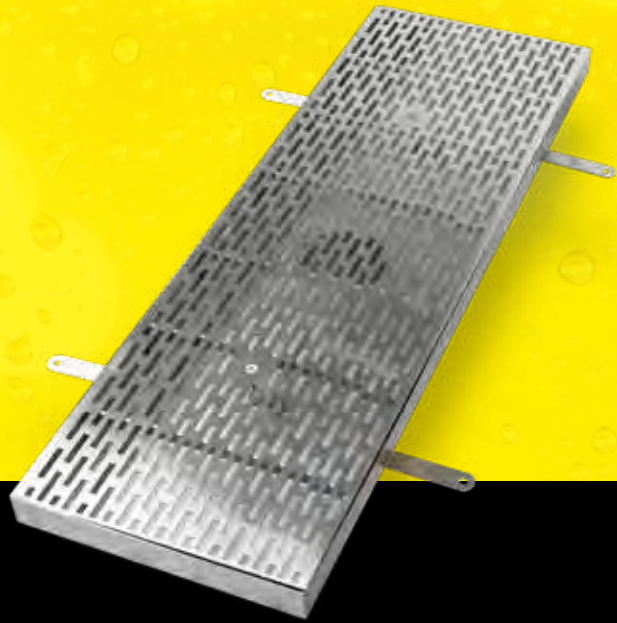
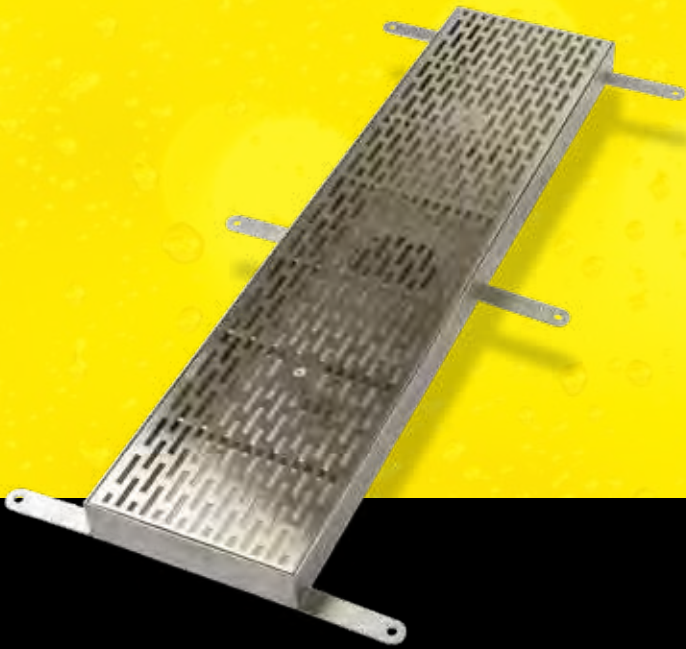
9678-25 FEATURES:

- 25 gpm flow rate
- Customizable to work with all building structure conditions
- Easily removable grating for fast cleaning and maintenance
- Light duty, vandal-proof, stainless steel slotted grate
- ADA compliant

9678-50 FEATURES:

- 50 gpm flow rate
- 5 3/4" wide, 2" deep
- 14 gage, type 304 stainless steel
- 3" no hub vertical outlet
- Grate has an open area of 28.00 sq in. per linear foot with 1/4" wide slot openings.



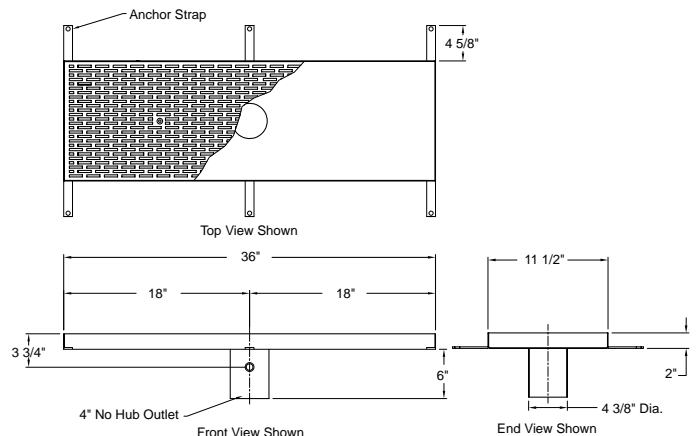
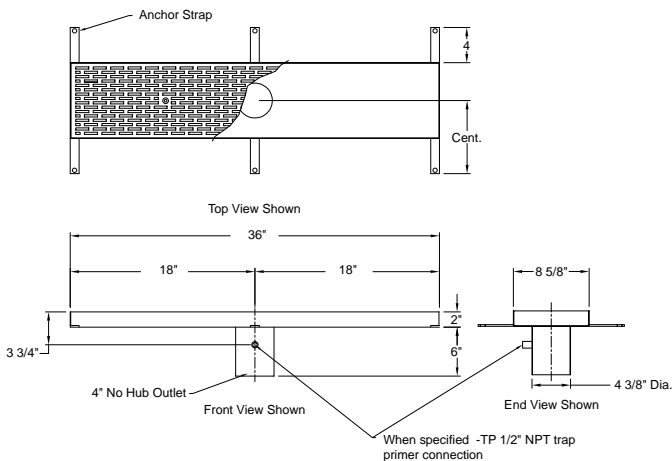


9678-75 FEATURES:

- 75 gpm flow rate
- 8 5/8" wide, 2" deep
- 14 gage, type 304 stainless steel
- 4" no hub vertical outlet
- Grate has an open area of 42.00 sq in. per linear foot with 1/4" slot openings

9678-100 FEATURES:

- 100 GPM flow rate
- 11 1/2" wide, 2" deep
- 14 gage, type 304 stainless steel
- 4" no hub vertical outlet
- Grate has open area of 46.30 sq in. per linear foot with 1/4" wide slots
- Complies with 2013 California Building Code 403.6.1, 403.6.2, 3007.4, 3008.4
- Complies with 2013 San Francisco Fire Code, Section 511.1.4





POLYMER CONCRETE TRENCH DRAINS

3" TO 14" WIDE - 9800 SERIES

- Figure Number 9895 - 6" Wide 'Pre-Sloped' Polymer Concrete Trench Drains with Integral Metal Rail - KlassikDrain®
- Figure Number 9877 - 6" Wide 'Pre-Sloped' Polymer Concrete Trench Drains with Ductile Iron Edge Rail for Extra Heavy Applications- PowerDrain®
- Figure Number 9832 - 6" Wide 'Non-Sloped' 'Shallow' Polymer Concrete Trench Drains
- Figure Number 9805 - 6" Wide 'Non-Sloped' Polymer Concrete Trench Drains with Ductile Iron Edge Rail for Extra Heavy Applications PowerDrain®
- Figure Number 9878 - 10" Wide 'Pre-Sloped' Polymer Concrete Trench Drains with Ductile Iron Edge Rail for Extra Heavy Applications PowerDrain®
- Figure Number 9806 - 10" Wide 'Non-Sloped' Polymer Concrete Trench Drains with Ductile Iron Edge Rail for Extra Heavy Applications
- Figure Number 9898 - 10" Wide 'Shallow' Polymer Concrete Trench Drains with Integral Metal Rail - SlabDrain®
- Figure Number 9896 - 10" Wide 'Pre-Sloped' Polymer Concrete Trench Drains with Integral Metal Rail - KlassikDrain®
- Figure Number 9807 - 14" Wide 'Shallow' Polymer Concrete Trench Drains with Ductile Iron Edge Rail for Extra Heavy Applications - PowerDrain®
- Figure Number 9899 - 14" Wide 'Non-Sloped' Polymer Concrete Trench Drains with Integral Metal Rail - SlabDrain®
- Figure Number 9879 - 14" Wide 'Pre-Sloped' Polymer Concrete Trench Drains with Ductile Iron Edge Rail for Extra Heavy Applications - PowerLok®
- Figure Number 9897 - 14" Wide Polymer Concrete Trench Drains with Integral Metal Rail - KlassikDrain®
- Figure Number 9836 - 6" Wide 'Non-Sloped' Polymer Concrete Shallow Trench Drains with Integral Galvanized Edge Rail
- Figure Number 9833 - 3" Wide 'No Grade' 'Narrow' Polymer Concrete Trench Drains

POLYMER CONCRETE TRENCH DRAINS

3" WIDE • 6" WIDE • 10" WIDE • 14" WIDE
SHALLOW DEPTH • NARROW WIDTH • SLOPED • NON SLOPING



Figure Number 9895



Figure Number 9877



Figure Number 9832



Figure Number 9805



Figure Number 9878

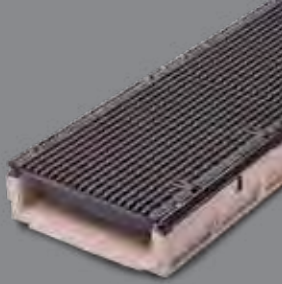


Figure Number 9806



Figure Number 9898

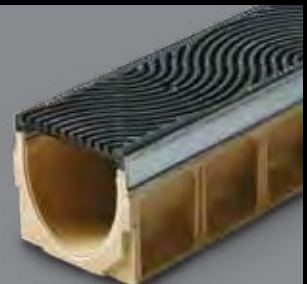


Figure Number 9896



Figure Number 9807



Figure Number 9899



Figure Number 9879



Figure Number 9897



Figure Number 9836



Figure Number 9833

- Varying widths and depths to meet all application needs.
- Integral cast-in metal rail edge, ductile iron frame and grate, large variety of grates, shallow, narrow, brickslot, non-sloped—this category has it all.

6" WIDE POLYMER CONCRETE DRAINS

6" Wide 'Pre-Sloped' Trench Drains with Integral Metal Rail - KlassikDrain® Figure 9895

- Integral galvanized steel rails allow for heavy duty hard wheel traffic
- May be assembled in any length
- Versatile for use in all surface drainage applications
- Available in pre-sloped and non-sloped channels
- Forklift traffic
- Load Class A - E depending on grate selection

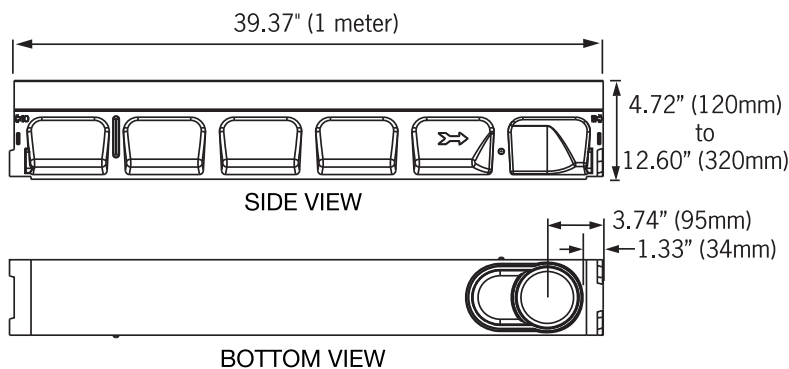
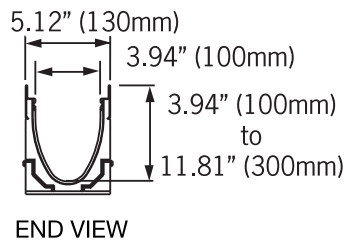


APPLICATIONS

Food Service • Sidewalks • Fire Stations • Gas Stations
 Parking Lots • Shopping Malls • Fountains
 Industrial and Manufacturing Plants

FEATURES

- Integral galvanized steel rail
- Optional stainless steel rail
- .5% pre-sloped and neutral channels (see chart next page for invert depths)
- Load ratings up to and including E (135,000 lbs.)
- Concrete finisher friendly with straight edge
- QuickLok® feature - no bolts to remove when cleaning out trench drain
- Built-in knockouts for outlets every 5 channel sections (see diagram next page)



Note: This trench drain system is designed for "on grade applications only" as there are no provisions for a flashing flange or flashing clamp.

Catch Basins



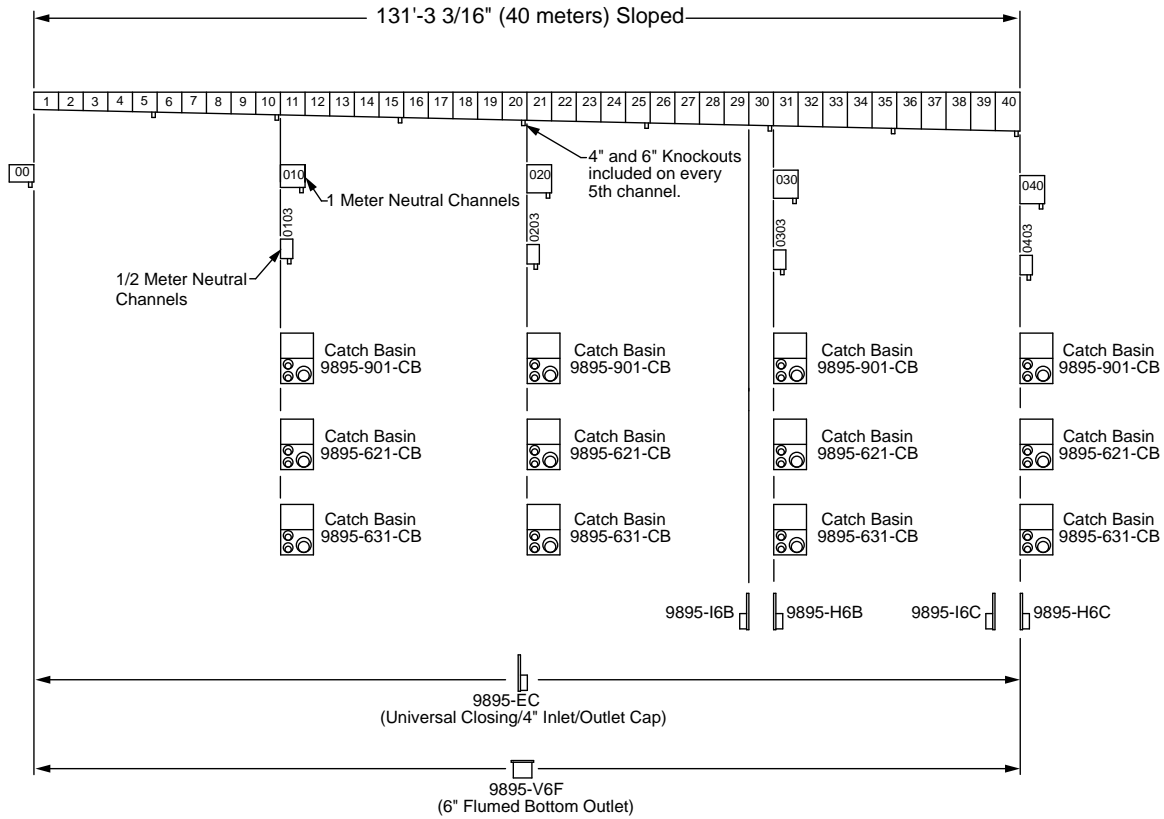
9895-901
 In-Line Catch Basin



9895-621 Catch Basin
 (9895-631 shown with optional riser)

See page 65-66 for grates.

6" Wide 'Pre-Sloped' Polymer Concrete Trench Drains with Integral Metal Rail KlassikDrain® - Figure 9895



| TRENCH DEPTH 9895 SYSTEM | | | | | | |
|--------------------------|--------------------|-----|-----------------|------|-------|-------------|
| Channel Number | Shallow End Invert | | Deep End Invert | | Slope | Weight Lbs. |
| | Inch | mm | Inch | mm | | |
| 9895-00 | 3.94 | 100 | 3.94 | 100 | 0.0% | 28.1 |
| 9895-1 | 3.94 | 100 | 4.13 | 105 | 0.5% | 28.1 |
| 9895-2 | 4.13 | 105 | 4.33 | 110 | 0.5% | 28.9 |
| 9895-3 | 4.33 | 110 | 4.53 | 115 | 0.5% | 29.7 |
| 9895-4 | 4.53 | 115 | 4.72 | 120 | 0.5% | 30.5 |
| 9895-5 | 4.72 | 120 | 4.92 | 125 | 0.5% | 31.3 |
| 9895-6 | 4.92 | 125 | 5.12 | 130 | 0.5% | 32.1 |
| 9895-7 | 5.12 | 130 | 5.31 | 135 | 0.5% | 32.9 |
| 9895-8 | 5.31 | 135 | 5.51 | 140 | 0.5% | 33.7 |
| 9895-9 | 5.51 | 140 | 5.71 | 145 | 0.5% | 34.5 |
| 9895-10 | 5.71 | 145 | 5.91 | 150 | 0.5% | 35.3 |
| 9895-010 | 5.91 | 150 | 5.91 | 150 | 0.0% | 35.3 |
| 9895-103 | 5.91 | 150 | 5.91 | 1150 | 0.0% | 17.0 |
| 9895-11 | 5.91 | 150 | 6.10 | 155 | 0.5% | 36.1 |
| 9895-12 | 6.10 | 155 | 6.30 | 160 | 0.5% | 36.9 |
| 9895-13 | 6.30 | 160 | 6.50 | 165 | 0.5% | 37.7 |
| 9895-14 | 6.50 | 165 | 6.69 | 170 | 0.5% | 38.5 |
| 9895-15 | 6.69 | 170 | 6.89 | 175 | 0.5% | 39.3 |
| 9895-16 | 6.89 | 175 | 7.09 | 180 | 0.5% | 40.1 |
| 9895-17 | 7.09 | 180 | 7.28 | 185 | 0.5% | 40.9 |
| 9895-18 | 7.28 | 185 | 7.48 | 190 | 0.5% | 41.7 |
| 9895-19 | 7.48 | 190 | 7.68 | 195 | 0.5% | 42.5 |
| 9895-20 | 7.68 | 195 | 7.88 | 200 | 0.5% | 43.4 |
| 9895-020 | 7.88 | 200 | 7.88 | 200 | 0.0% | 43.4 |
| 9895-203 | 7.88 | 200 | 7.88 | 200 | 0.0% | 20.5 |

| TRENCH DEPTH 9895 SYSTEM | | | | | | |
|--------------------------|--------------------|-----|-----------------|-----|-------|-------------|
| Channel Number | Shallow End Invert | | Deep End Invert | | Slope | Weight Lbs. |
| | Inch | mm | Inch | mm | | |
| 9895-21 | 7.88 | 200 | 8.07 | 205 | 0.5% | 44.2 |
| 9895-22 | 8.07 | 205 | 8.27 | 210 | 0.5% | 45.0 |
| 9895-23 | 8.27 | 210 | 8.46 | 215 | 0.5% | 45.8 |
| 9895-24 | 8.46 | 215 | 8.66 | 220 | 0.5% | 46.8 |
| 9895-25 | 8.66 | 220 | 8.86 | 225 | 0.5% | 47.4 |
| 9895-26 | 8.86 | 225 | 9.06 | 230 | 0.5% | 48.2 |
| 9895-27 | 9.06 | 230 | 9.25 | 235 | 0.5% | 49.0 |
| 9895-28 | 9.25 | 235 | 9.45 | 240 | 0.5% | 49.8 |
| 9895-29 | 9.45 | 240 | 9.65 | 245 | 0.5% | 50.6 |
| 9895-30 | 9.65 | 245 | 9.84 | 250 | 0.5% | 51.4 |
| 9895-030 | 9.84 | 250 | 9.84 | 250 | 0.0% | 51.4 |
| 9895-303 | 9.84 | 250 | 9.84 | 250 | 0.0% | 24.0 |
| 9895-31 | 9.84 | 250 | 10.04 | 266 | 0.5% | 52.2 |
| 9895-32 | 10.04 | 255 | 10.24 | 260 | 0.5% | 53.0 |
| 9895-33 | 10.24 | 260 | 10.43 | 265 | 0.5% | 53.8 |
| 9895-34 | 10.43 | 265 | 10.63 | 270 | 0.5% | 54.6 |
| 9895-35 | 10.63 | 270 | 10.83 | 275 | 0.5% | 55.4 |
| 9895-36 | 10.83 | 275 | 11.02 | 280 | 0.5% | 56.2 |
| 9895-37 | 11.02 | 280 | 11.22 | 285 | 0.5% | 57.0 |
| 9895-38 | 11.22 | 285 | 11.42 | 290 | 0.5% | 57.9 |
| 9895-39 | 11.42 | 290 | 11.61 | 295 | 0.5% | 58.7 |
| 9895-40 | 11.61 | 295 | 11.81 | 300 | 0.5% | 59.5 |
| 9895-040 | 11.81 | 300 | 11.81 | 300 | 0.0% | 59.5 |
| 9895-403 | 11.81 | 300 | 11.81 | 300 | 0.0% | 27.5 |

Note: For overall depth of channel add .80" to invert depth shown.

6" WIDE POLYMER CONCRETE DRAINS

6" Wide 'Pre-Sloped' Trench Drains with Ductile Iron Edge Rail for Extra Heavy Applications - PowerDrain® Figure 9877

- Extra heavy duty integral ductile iron rails allow for heavy duty hard wheel traffic
- May be assembled in any length
- Versatile for use in all surface drainage applications
- Convenient interlocking design
- Load Class F

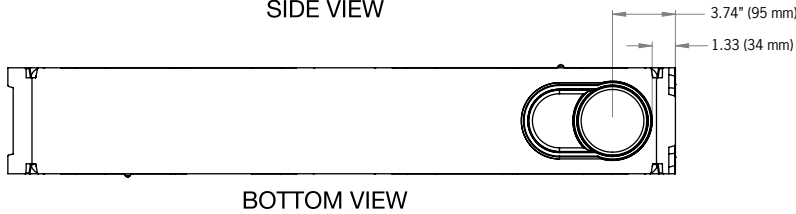
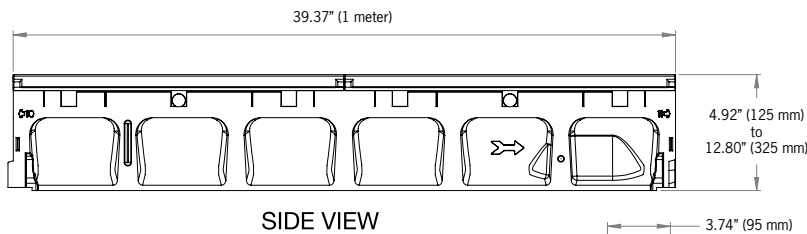
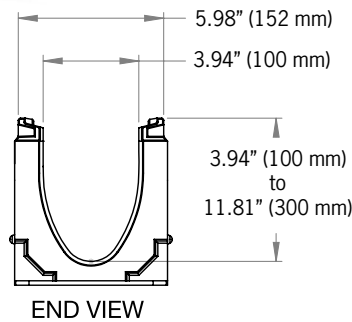


APPLICATIONS

Warehousing • Bottling Plants • Industrial Plants
Loading Docks • Fire Stations • Military Bases
Highways • Airports • Hangars • Frequent Traffic Areas

FEATURES

- The 9877 is the extra heavy duty version of the 9895
- .5% pre-sloped channels and non-sloping channels
- Includes ductile iron frame and grate
- Grating options include ADA and bicycle safe
- Frame and grate designed to prevent longitudinal and lateral movement
- End frames terminate the ends of each run for superior structural integrity



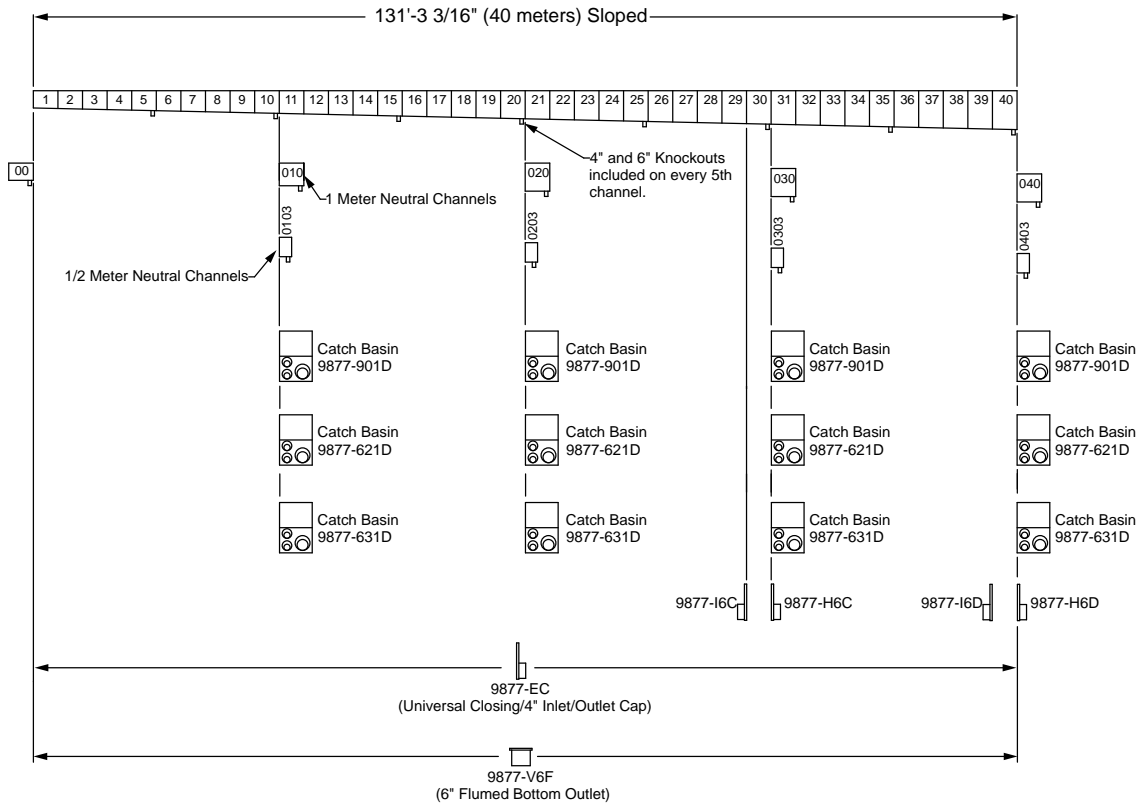
Regularly furnished with boltless PowerLok® securing device.

Note: This trench drain system is designed for "on grade applications only" as there are no provisions for a flashing flange or flashing clamp.

Catch Basins



6" Wide 'Pre-Sloped' Polymer Concrete Trench Drains with Ductile Iron Edge Rail PowerDrain® - Figure 9877



| TRENCH DEPTH 9877 SYSTEM | | | | | | | |
|--------------------------|--------------------|-----|-----------------|------|-------|---------------------|-----------------|
| Channel Number | Shallow End Invert | | Deep End Invert | | Slope | Slotted Weight Lbs. | ADA Weight Lbs. |
| | Inch | mm | Inch | mm | | | |
| 9877-00 | 3.94 | 100 | 3.94 | 100 | 0.0% | 74.1 | 76.7 |
| 9877-1 | 3.94 | 100 | 4.13 | 105 | 0.5% | 74.1 | 76.7 |
| 9877-2 | 4.13 | 105 | 4.33 | 110 | 0.5% | 75.1 | 77.7 |
| 9877-3 | 4.33 | 110 | 4.53 | 115 | 0.5% | 76.1 | 78.7 |
| 9877-4 | 4.53 | 115 | 4.72 | 120 | 0.5% | 77.1 | 79.7 |
| 9877-5 | 4.72 | 120 | 4.92 | 125 | 0.5% | 78.1 | 80.7 |
| 9877-6 | 4.92 | 125 | 5.12 | 130 | 0.5% | 79.1 | 81.7 |
| 9877-7 | 5.12 | 130 | 5.31 | 135 | 0.5% | 80.1 | 82.7 |
| 9877-8 | 5.31 | 135 | 5.51 | 140 | 0.5% | 81.1 | 83.7 |
| 9877-9 | 5.51 | 140 | 5.71 | 145 | 0.5% | 82.1 | 84.7 |
| 9877-10 | 5.71 | 145 | 5.91 | 150 | 0.5% | 83.1 | 85.7 |
| 9877-010 | 5.91 | 150 | 5.91 | 150 | 0.0% | 83.1 | 85.7 |
| 9877-103 | 5.91 | 150 | 5.91 | 1150 | 0.0% | 42.4 | 43.7 |
| 9877-11 | 5.91 | 150 | 6.10 | 155 | 0.5% | 84.1 | 86.7 |
| 9877-12 | 6.10 | 155 | 6.30 | 160 | 0.5% | 85.1 | 87.7 |
| 9877-13 | 6.30 | 160 | 6.50 | 165 | 0.5% | 86.1 | 88.7 |
| 9877-14 | 6.50 | 165 | 6.69 | 170 | 0.5% | 87.1 | 89.7 |
| 9877-15 | 6.69 | 170 | 6.89 | 175 | 0.5% | 88.1 | 90.7 |
| 9877-16 | 6.89 | 175 | 7.09 | 180 | 0.5% | 89.1 | 91.7 |
| 9877-17 | 7.09 | 180 | 7.28 | 185 | 0.5% | 90.1 | 92.7 |
| 9877-18 | 7.28 | 185 | 7.48 | 190 | 0.5% | 91.1 | 93.7 |
| 9877-19 | 7.48 | 190 | 7.68 | 195 | 0.5% | 92.1 | 94.7 |
| 9877-20 | 7.68 | 195 | 7.88 | 200 | 0.5% | 93.1 | 95.7 |
| 9877-020 | 7.88 | 200 | 7.88 | 200 | 0.0% | 93.1 | 96.7 |
| 9877-203 | 7.88 | 200 | 7.88 | 200 | 0.0% | 46.9 | 48.2 |

| TRENCH DEPTH 9877 SYSTEM | | | | | | | |
|--------------------------|--------------------|-----|-----------------|-----|-------|---------------------|-----------------|
| Channel Number | Shallow End Invert | | Deep End Invert | | Slope | Slotted Weight Lbs. | ADA Weight Lbs. |
| | Inch | mm | Inch | mm | | | |
| 9877-21 | 7.88 | 200 | 8.07 | 205 | 0.5% | 94.1 | 96.7 |
| 9877-22 | 8.07 | 205 | 8.27 | 210 | 0.5% | 95.1 | 45.0 |
| 9877-23 | 8.27 | 210 | 8.46 | 215 | 0.5% | 96.0 | 98.6 |
| 9877-24 | 8.46 | 215 | 8.66 | 220 | 0.5% | 97.0 | 99.6 |
| 9877-25 | 8.66 | 220 | 8.86 | 225 | 0.5% | 98.0 | 100.6 |
| 9877-26 | 8.86 | 225 | 9.06 | 230 | 0.5% | 99.0 | 101.6 |
| 9877-27 | 9.06 | 230 | 9.25 | 235 | 0.5% | 100.0 | 102.6 |
| 9877-28 | 9.25 | 235 | 9.45 | 240 | 0.5% | 101.0 | 103.6 |
| 9877-29 | 9.45 | 240 | 9.65 | 245 | 0.5% | 102.0 | 104.6 |
| 9877-30 | 9.65 | 245 | 9.84 | 250 | 0.5% | 103.0 | 105.6 |
| 9877-030 | 9.84 | 250 | 9.84 | 250 | 0.0% | 103.0 | 105.6 |
| 9877-303 | 9.84 | 250 | 9.84 | 250 | 0.0% | 51.4 | 52.7 |
| 9877-31 | 9.84 | 250 | 10.04 | 255 | 0.5% | 104.0 | 106.6 |
| 9877-32 | 10.04 | 255 | 10.24 | 260 | 0.5% | 105.0 | 107.6 |
| 9877-33 | 10.24 | 260 | 10.43 | 265 | 0.5% | 106.0 | 108.6 |
| 9877-34 | 10.43 | 265 | 10.63 | 270 | 0.5% | 107.0 | 109.6 |
| 9877-35 | 10.63 | 270 | 10.83 | 275 | 0.5% | 108.0 | 110.4 |
| 9877-36 | 10.83 | 275 | 11.02 | 280 | 0.5% | 109.0 | 111.2 |
| 9877-37 | 11.02 | 280 | 11.22 | 285 | 0.5% | 110.0 | 112.6 |
| 9877-38 | 11.22 | 285 | 11.42 | 290 | 0.5% | 111.0 | 113.6 |
| 9877-39 | 11.42 | 290 | 11.61 | 295 | 0.5% | 112.0 | 114.6 |
| 9877-40 | 11.61 | 295 | 11.81 | 300 | 0.5% | 113.0 | 115.6 |
| 9877-040 | 11.81 | 300 | 11.81 | 300 | 0.0% | 113.0 | 115.6 |
| 9877-403 | 11.81 | 300 | 11.81 | 300 | 0.0% | 56.0 | 57.3 |

Note: For overall depth of channel add 1.00" to invert depth shown.

6" SHALLOW DEPTH POLYMER CONCRETE DRAINS

6" Wide 'Non-Sloped' Shallow Trench Drains - Figure 9832

- Reduce installation time and cost with interlocking tongue and groove ends
- Ideal for restricted installation depths
- May be assembled in any length
- Load Rated from A - C

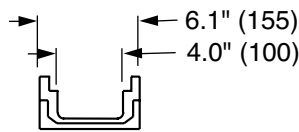


APPLICATIONS

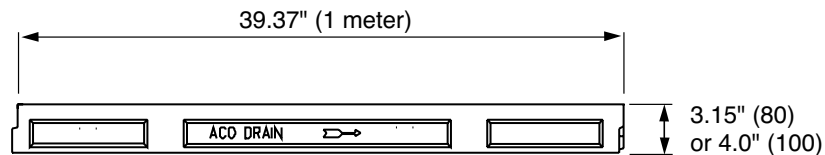
Shopping Malls • Pedestrian Areas
Commercial Areas

FEATURES:

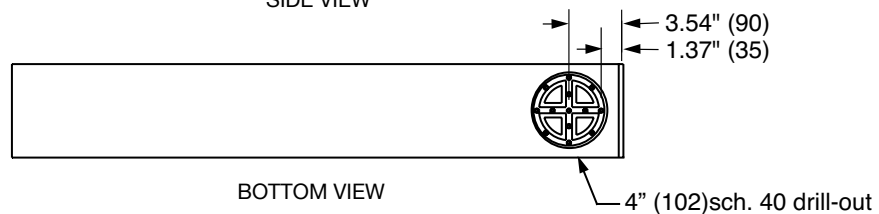
- 1 meter (3.28') precast polyester polymer concrete construction
- High-strength, lightweight channels feature interlocking design
- Groove profile for ease of installation and alignment
- Non-sloping bottom
- Supplied with secured grate per specification
- *Designed for on-grade applications only; no provisions for flashing flange or clamp*



END VIEW



SIDE VIEW



BOTTOM VIEW

QuickLok® is a registered trademark of ACO Polymer Products, Inc.

Note: This trench drain system is designed for "on grade applications only" as there are no provisions for a flashing flange or flashing clamp.

See page 69-70 for grates.

6" WIDE POLYMER CONCRETE DRAINS

6" Wide 'Non-Sloped' Trench Drains with Ductile Iron Edge Rail for Extra Heavy Applications - PowerDrains® Figure 9805

- Heavy duty integral ductile iron rails
- Versatile use in all surface drainage applications
- Shallow, non-sloping channels allow for heavy hard wheel traffic
- Load Rated F

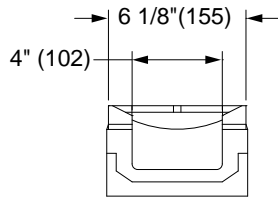


APPLICATIONS

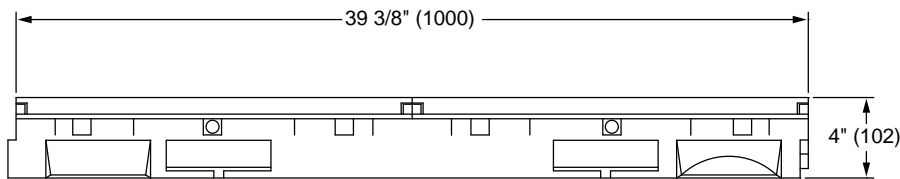
Docks & Ports • Taxiways • Gate Areas • Hangars
Heavy Fork Trucks • Heavy Wheel Loads
Frequent Traffic Areas

FEATURES:

- 1 meter (3.28') precast polyester concrete channel construction
- Interlocking design with no slope
- Integral ductile iron edge rail
- 4" internal width, supplied with secured ductile iron slotted or ADA grates *See note
- *Designed for on-grade applications only; no provisions for flashing flange or clamp*



END VIEW



SIDE VIEW



BOTTOM VIEW

Note: This trench drain system is designed for "on grade applications only" as there are no provisions for a flashing flange or flashing clamp.

Regularly furnished with boltless Power-Lok® securing device.

**Note: Contact local Jay R. Smith Mfg. Co. manufacturer's rep or Jay R. Smith Mfg. Co. Trench Drain Team for grate options*

4" (102) Sch 40 Drillout

JAY R. SMITH MFG. CO. 334.277.8520 www.jrsmith.com

SMITH ACO
Trench Drain Series

10" WIDE POLYMER CONCRETE DRAINS

10" Wide 'Pre-Sloped' Trench Drains with Ductile Iron Edge Rail for Extra Heavy Applications - PowerDrain® Figure 9878

- Extra heavy duty integral ductile iron rails allow for heavy duty traffic
- May be assembled in any length
- Versatile for use in all surface drainage applications
- Convenient interlocking design
- Load Class F

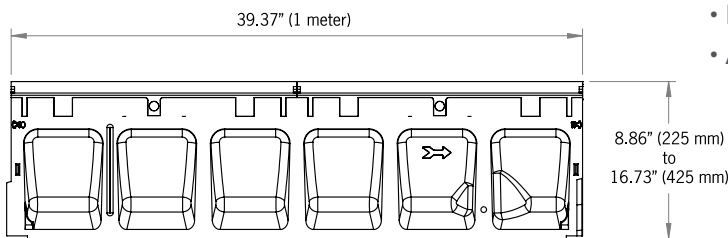
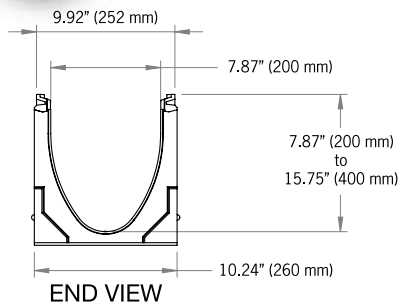


APPLICATIONS

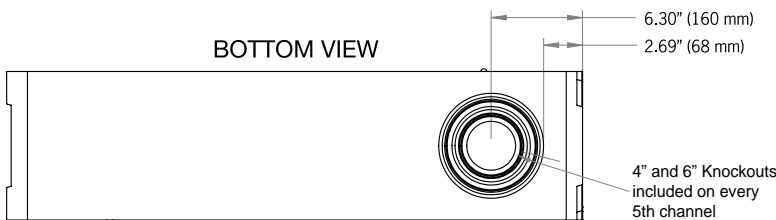
Airports • Highways • Docks & Ports • Military Bases
Truck Stops • Maintenance Shops • Hangars
Frequent Traffic Areas

FEATURES

- Up to 40 (1 meter) sloped channel sections and (1 meter and 1/2 meter) non-sloped channel sections
- Integral cast-in extra heavy duty ductile iron edge rail
- Grates are secured with patented PowerLok® boltless locking system
- Three catch basin options—9878-902D, 9878-621D or 9878-631D
- Built-in slope of .5%
- ADA compliant



SIDE VIEW



BOTTOM VIEW

Catch Basins



9878-902D
In-Line Catch Basin

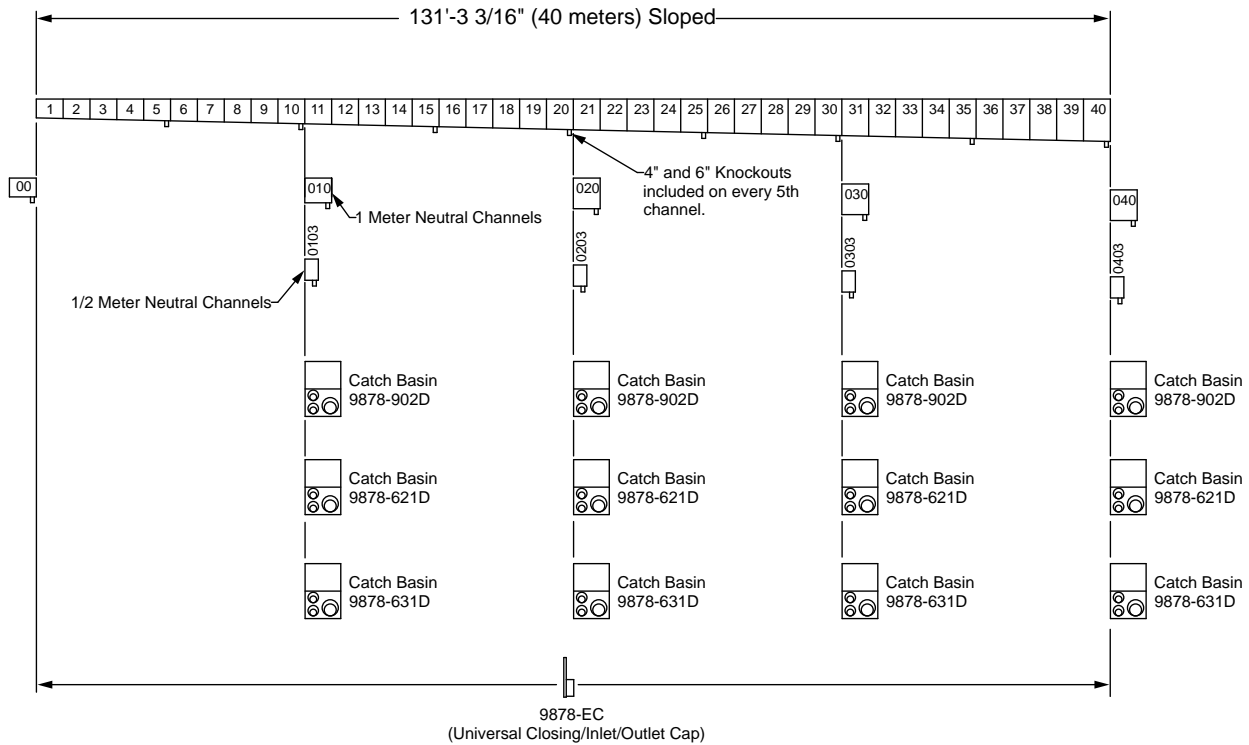


9878-621D Catch Basin
(9878-631D shown with optional riser)

Regularly furnished with boltless PowerLok® securing device.

Note: This trench drain system is designed for "on grade applications only" as there are no provisions for a flashing flange or flashing clamp.

10" Wide 'Pre-Sloped' Polymer Concrete Trench Drains with Ductile Iron Edge Rail - PowerDrain® - Figure 9878



| TRENCH DEPTH 9878 SYSTEM | | | | | | | |
|--------------------------|--------------------|-----|-----------------|-----|-------|---------------------|-----------------|
| Channel Number | Shallow End Invert | | Deep End Invert | | Slope | Slotted Weight Lbs. | ADA Weight Lbs. |
| | Inch | mm | Inch | mm | | | |
| 9878-00 | 7.87 | 200 | 7.87 | 200 | 0.0% | 141.2 | 133.7 |
| 9878-1 | 7.87 | 200 | 8.07 | 205 | 0.5% | 141.2 | 133.7 |
| 9878-2 | 8.07 | 205 | 8.27 | 210 | 0.5% | 142.3 | 134.8 |
| 9878-3 | 8.27 | 210 | 8.46 | 215 | 0.5% | 143.4 | 135.9 |
| 9878-4 | 8.46 | 215 | 8.66 | 220 | 0.5% | 144.5 | 137.0 |
| 9878-5 | 8.66 | 220 | 8.86 | 225 | 0.5% | 145.6 | 138.1 |
| 9878-6 | 8.86 | 225 | 9.06 | 230 | 0.5% | 146.7 | 139.2 |
| 9878-7 | 9.06 | 230 | 9.25 | 235 | 0.5% | 147.8 | 140.3 |
| 9878-8 | 9.25 | 235 | 9.45 | 240 | 0.5% | 148.9 | 141.4 |
| 9878-9 | 9.45 | 240 | 9.65 | 245 | 0.5% | 150.0 | 142.5 |
| 9878-10 | 9.65 | 245 | 9.84 | 250 | 0.5% | 151.1 | 143.6 |
| 9878-010 | 9.84 | 250 | 9.84 | 250 | 0.0% | 151.2 | 143.7 |
| 9878-103 | 9.84 | 250 | 9.84 | 250 | 0.0% | 89.2 | 85.45 |
| 9878-11 | 9.84 | 250 | 10.04 | 255 | 0.5% | 152.2 | 144.7 |
| 9878-12 | 10.04 | 255 | 10.24 | 260 | 0.5% | 153.3 | 145.8 |
| 9878-13 | 10.24 | 260 | 10.43 | 265 | 0.5% | 154.4 | 146.9 |
| 9878-14 | 10.43 | 265 | 10.63 | 270 | 0.5% | 155.6 | 148.1 |
| 9878-16 | 10.63 | 270 | 10.83 | 275 | 0.5% | 156.7 | 149.2 |
| 9878-16 | 10.83 | 275 | 11.02 | 280 | 0.5% | 157.8 | 150.3 |
| 9878-17 | 11.02 | 280 | 11.22 | 285 | 0.5% | 158.9 | 151.4 |
| 9878-18 | 11.22 | 285 | 11.42 | 290 | 0.5% | 160.0 | 152.5 |
| 9878-19 | 11.42 | 290 | 11.61 | 295 | 0.5% | 161.1 | 153.6 |
| 9878-20 | 11.61 | 295 | 11.81 | 300 | 0.5% | 162.2 | 154.7 |
| 9878-020 | 11.81 | 300 | 11.81 | 300 | 0.0% | 162.2 | 154.7 |
| 9878-203 | 11.81 | 300 | 11.81 | 300 | 0.0% | 96.8 | 93.05 |
| 9878-21 | 11.81 | 300 | 12.01 | 305 | 0.5% | 163.3 | 155.8 |

| TRENCH DEPTH 9878 SYSTEM | | | | | | | |
|--------------------------|--------------------|-----|-----------------|-----|-------|---------------------|-----------------|
| Channel Number | Shallow End Invert | | Deep End Invert | | Slope | Slotted Weight Lbs. | ADA Weight Lbs. |
| | Inch | mm | Inch | mm | | | |
| 9878-22 | 12.01 | 305 | 12.20 | 310 | 0.5% | 164.4 | 156.9 |
| 9878-23 | 12.20 | 310 | 12.40 | 315 | 0.5% | 165.5 | 158.0 |
| 9878-24 | 12.40 | 315 | 12.60 | 320 | 0.5% | 166.6 | 159.1 |
| 9878-25 | 12.60 | 320 | 12.80 | 325 | 0.5% | 167.7 | 160.2 |
| 9878-26 | 12.80 | 325 | 12.99 | 330 | 0.5% | 168.8 | 161.3 |
| 9878-27 | 12.99 | 330 | 13.19 | 335 | 0.5% | 169.9 | 162.4 |
| 9878-28 | 13.19 | 335 | 13.39 | 340 | 0.5% | 171.0 | 163.5 |
| 9878-29 | 13.39 | 340 | 13.58 | 345 | 0.5% | 172.1 | 164.6 |
| 9878-30 | 13.58 | 345 | 13.78 | 350 | 0.5% | 173.2 | 165.7 |
| 9878-030 | 13.78 | 350 | 13.78 | 350 | 0.0% | 173.2 | 165.7 |
| 9878-31 | 13.78 | 350 | 13.98 | 355 | 0.5% | 174.4 | 166.9 |
| 9878-32 | 13.98 | 355 | 14.17 | 360 | 0.5% | 175.5 | 168.0 |
| 9878-33 | 14.17 | 360 | 14.37 | 365 | 0.5% | 176.6 | 169.1 |
| 9878-34 | 14.37 | 365 | 14.57 | 370 | 0.5% | 177.7 | 170.2 |
| 9878-35 | 14.57 | 370 | 14.76 | 375 | 0.5% | 178.8 | 171.3 |
| 9878-36 | 14.76 | 375 | 14.96 | 380 | 0.5% | 179.9 | 172.4 |
| 9878-37 | 14.96 | 380 | 15.16 | 385 | 0.5% | 181.0 | 173.5 |
| 9878-38 | 15.16 | 385 | 15.35 | 390 | 0.5% | 182.1 | 174.6 |
| 9878-39 | 15.35 | 390 | 15.55 | 395 | 0.5% | 183.2 | 175.7 |
| 9878-40 | 15.55 | 395 | 15.75 | 400 | 0.5% | 184.3 | 176.8 |
| 9878-040 | 15.75 | 400 | 15.75 | 400 | 0.0% | 184.3 | 176.8 |
| 9878-403 | 15.75 | 400 | 15.75 | 400 | 0.0% | 110.1 | 106.4 |

Note: For overall depth of channel add 1.00" to invert depth shown.

10" WIDE POLYMER CONCRETE DRAINS

10" Wide 'Non-Sloped' Trench Drains with Ductile Iron Edge Rail for Extra Heavy Applications - Figure 9806

- Extra heavy duty integral ductile iron rails allow for heavy duty traffic
- Shallow design ideal for shallow depth applications
- May be assembled in any length
- Versatile for use in all surface drainage applications
- Convenient interlocking design
- Load Class F

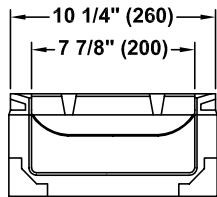


APPLICATIONS

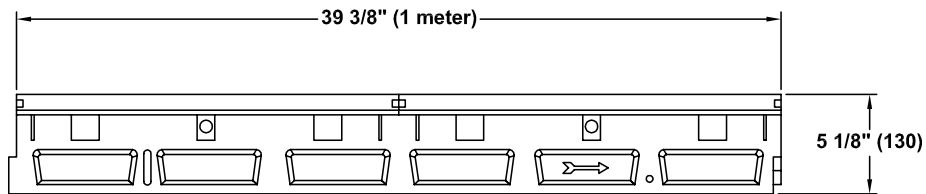
Airports • Highways • Docks & Ports • Military Bases
Truck Stop • Maintenance Shops • Hangars
Frequent Traffic Areas

FEATURES

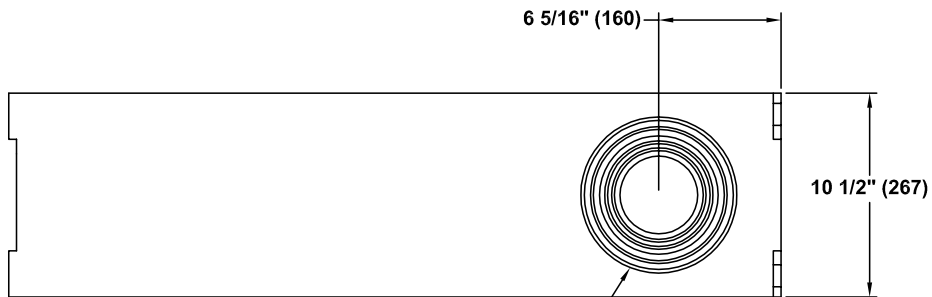
- 3.94" shallow invert depth
- 8" inside width
- Integral cast-in extra heavy duty ductile iron edge rail
- Grates are secured with patented PowerLok® boltless locking system
- Cast in sealant groove



END VIEW



SIDE VIEW



BOTTOM VIEW

Regularly furnished with boltless PowerLok® securing device. 4" (102) and 6" (152) Sch 40 Knockout/Drillout

Note: This trench drain system is designed for "on grade applications only" as there are no provisions for a flashing flange or flashing clamp.

10" WIDE POLYMER CONCRETE DRAINS

Figure 9898 - 10" Wide 'Shallow' Trench Drains with Integral Metal Rail - SlabDrain®

- Integral galvanized steel rails allow for heavy duty hard wheel traffic
- Shallow non-sloping channels may be assembled in any length
- Versatile for use in all surface drainage applications
- Convenient interlocking design
- Load Class A - E

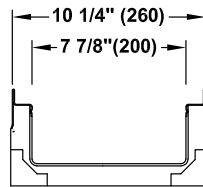


APPLICATIONS

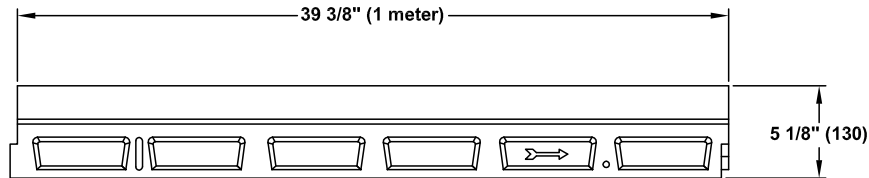
Decks • Slabs • Retrofit Projects
Threshold Applications

FEATURES

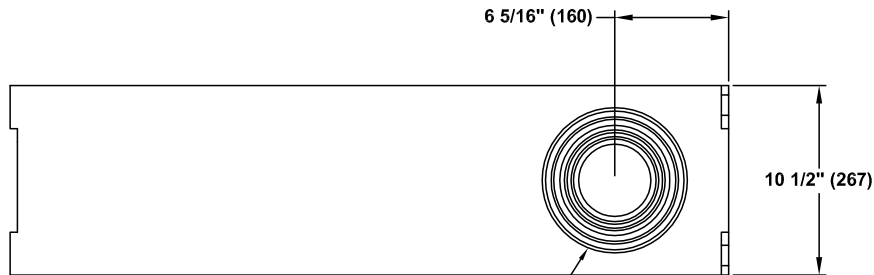
- 3.94" invert depth for applications in shallow areas
- 8" inside width
- 4" and 6" bottom knockouts on each channel section
- Grates are secured with patented QuickLok® boltless locking system
- Galvanized edge rail regularly furnished; stainless steel rail option available



END VIEW



SIDE VIEW



BOTTOM VIEW

4" (100) and 6" (152) Sch 40 Knockout/Drillout

Note: This trench drain system is designed for "on grade applications only" as there are no provisions for a flashing flange or flashing clamp.

See page 71-72 for grates.

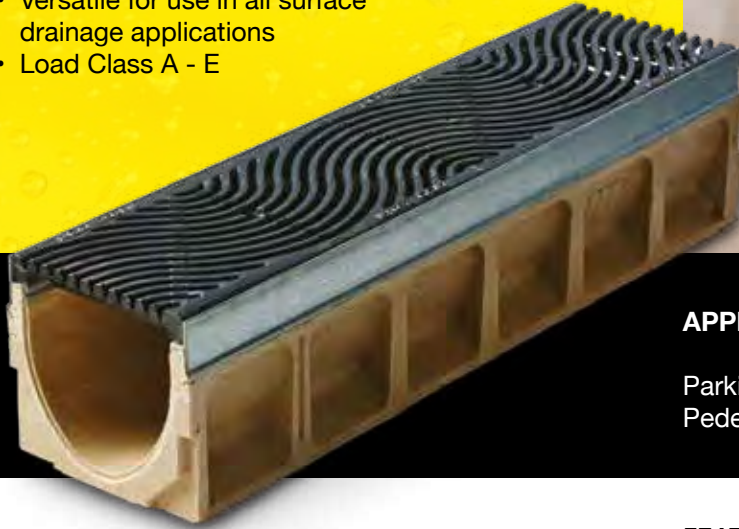
JAY R. SMITH MFG. CO. 334.277.8520 www.jrsmith.com

SMITH ACO
Trench Drain Series

10" WIDE POLYMER CONCRETE DRAINS

10" Wide 'Pre-Sloped' Trench Drains with Integral Metal Rail - KlassikDrain®
Figure 9896

- Integral galvanized metal rails allow for heavy duty hard wheel traffic
- May be assembled in any length
- Versatile for use in all surface drainage applications
- Load Class A - E

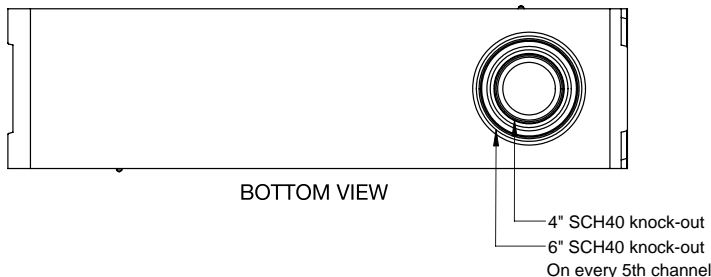
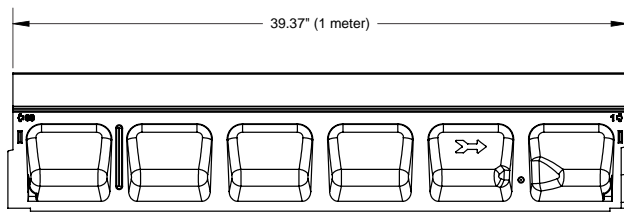
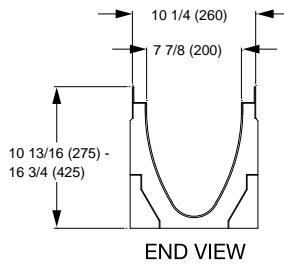


APPLICATIONS

Parking Lots and Garages • Shopping Malls
Pedestrian Areas • Commercial Areas

FEATURES

- Up to 40 (1 meter) sloped channel sections and (1 meter and 1/2 meter) non-sloped channel sections
- 8" inside width—wider flow area for higher discharge rates
- Grates are secured with patented QuickLok® boltless locking system
- Galvanized edge rail regularly furnished; stainless steel rail option available
- Three catch basin options—9896-902, 9896-621 or 9896-631
- Built-in slope of .5%



Catch Basins



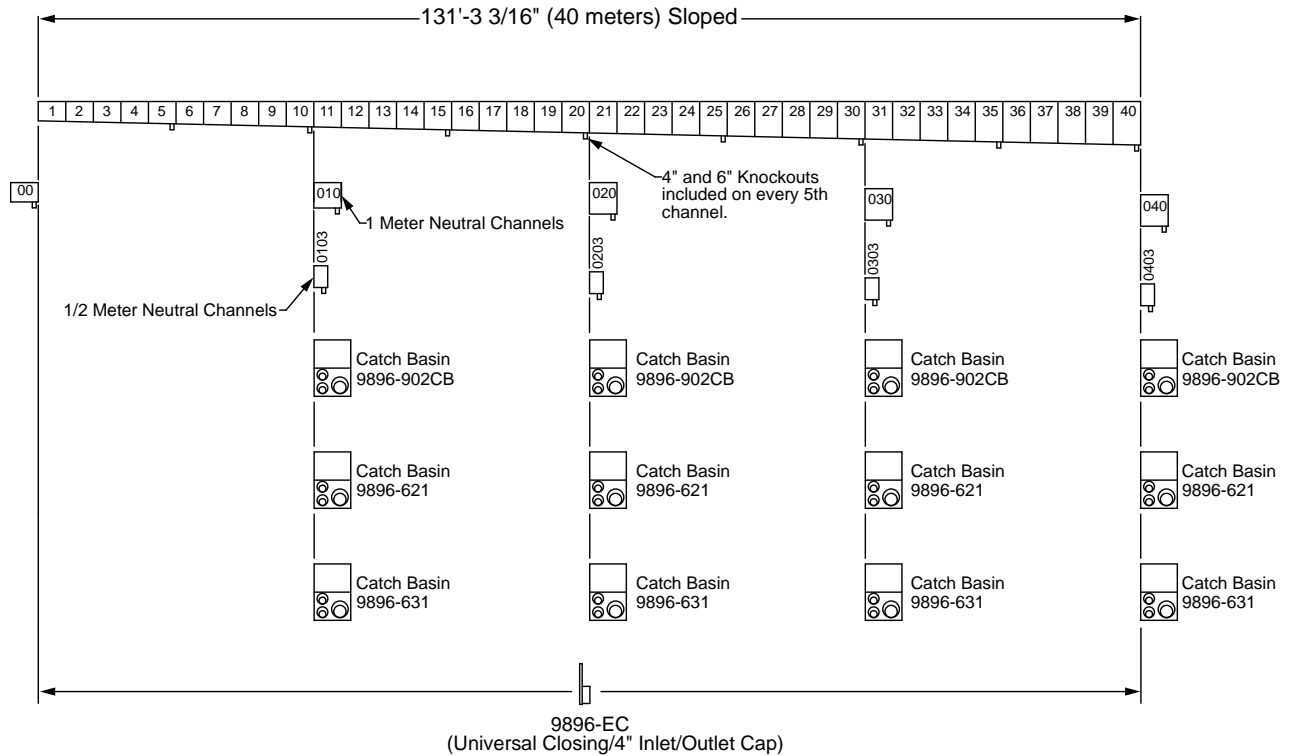
9896-902
In-Line Catch Basin



9896-621 Catch Basin
(9896-631 shown with optional riser)

Note: This trench drain system is designed for "on grade applications only" as there are no provisions for a flashing flange or flashing clamp.

10" Wide 'Pre-Sloped' Polymer Concrete Trench Drains with Integral Metal Rail - KlassikDrain® - Figure 9896



| TRENCH DEPTH 9896 SYSTEM | | | | | | |
|--------------------------|--------------------|-----|-----------------|-----|-------|-------------|
| Channel Number | Shallow End Invert | | Deep End Invert | | Slope | Weight Lbs. |
| | Inch | mm | Inch | mm | | |
| 9896-00 | 7.87 | 200 | 7.87 | 200 | 0.0% | 83.6 |
| 9896-1 | 7.87 | 200 | 8.07 | 205 | 0.5% | 83.6 |
| 9896-2 | 8.07 | 205 | 8.27 | 210 | 0.5% | 84.7 |
| 9896-3 | 8.27 | 210 | 8.46 | 215 | 0.5% | 85.8 |
| 9896-4 | 8.46 | 215 | 8.66 | 220 | 0.5% | 86.9 |
| 9896-5 | 8.66 | 220 | 8.86 | 225 | 0.5% | 88.0 |
| 9896-6 | 8.86 | 225 | 9.06 | 230 | 0.5% | 89.1 |
| 9896-7 | 9.06 | 230 | 9.25 | 235 | 0.5% | 90.2 |
| 9896-8 | 9.25 | 235 | 9.45 | 240 | 0.5% | 91.3 |
| 9896-9 | 9.45 | 240 | 9.65 | 245 | 0.5% | 92.4 |
| 9896-10 | 9.65 | 245 | 9.84 | 250 | 0.5% | 93.5 |
| 9896-010 | 9.84 | 250 | 9.84 | 250 | 0.0% | 93.5 |
| 9896-103 | 9.84 | 250 | 9.84 | 250 | 0.0% | 56.0 |
| 9896-11 | 9.84 | 250 | 10.04 | 255 | 0.5% | 94.6 |
| 9896-12 | 10.04 | 255 | 10.24 | 260 | 0.5% | 95.7 |
| 9896-13 | 10.24 | 260 | 10.43 | 265 | 0.5% | 96.8 |
| 9896-14 | 10.43 | 265 | 10.63 | 270 | 0.5% | 97.9 |
| 9896-16 | 10.63 | 270 | 10.83 | 275 | 0.5% | 99.0 |
| 9896-16 | 10.83 | 275 | 11.02 | 280 | 0.5% | 100.1 |
| 9896-17 | 11.02 | 280 | 11.22 | 285 | 0.5% | 101.2 |
| 9896-18 | 11.22 | 285 | 11.42 | 290 | 0.5% | 102.3 |
| 9896-19 | 11.42 | 290 | 11.61 | 295 | 0.5% | 103.4 |
| 9896-20 | 11.61 | 295 | 11.81 | 300 | 0.5% | 104.5 |
| 9896-020 | 11.81 | 300 | 11.81 | 300 | 0.0% | 104.5 |
| 9896-203 | 11.81 | 300 | 11.81 | 300 | 0.0% | 105.6 |

| TRENCH DEPTH 9896 SYSTEM | | | | | | |
|--------------------------|--------------------|-----|-----------------|-----|-------|-------------|
| Channel Number | Shallow End Invert | | Deep End Invert | | Slope | Weight Lbs. |
| | Inch | mm | Inch | mm | | |
| 9896-21 | 11.81 | 300 | 12.01 | 305 | 0.5% | 106.7 |
| 9896-22 | 12.01 | 305 | 12.20 | 310 | 0.5% | 107.8 |
| 9896-23 | 12.20 | 310 | 12.40 | 315 | 0.5% | 107.8 |
| 9896-24 | 12.40 | 315 | 12.60 | 320 | 0.5% | 108.9 |
| 9896-25 | 12.60 | 320 | 12.80 | 325 | 0.5% | 110.0 |
| 9896-26 | 12.80 | 325 | 12.99 | 330 | 0.5% | 111.1 |
| 9896-27 | 12.99 | 330 | 13.19 | 335 | 0.5% | 112.2 |
| 9896-28 | 13.19 | 335 | 13.39 | 340 | 0.5% | 113.3 |
| 9896-29 | 13.39 | 340 | 13.58 | 345 | 0.5% | 114.4 |
| 9896-30 | 13.58 | 345 | 13.78 | 350 | 0.5% | 115.5 |
| 9896-030 | 13.78 | 350 | 13.78 | 350 | 0.0% | 115.5 |
| 9896-303 | 13.78 | 350 | 13.78 | 350 | 0.0% | 68.0 |
| 9896-31 | 13.78 | 350 | 13.98 | 355 | 0.5% | 116.6 |
| 9896-32 | 13.98 | 355 | 14.17 | 360 | 0.5% | 117.7 |
| 9896-33 | 14.17 | 360 | 14.37 | 365 | 0.5% | 118.8 |
| 9896-34 | 14.37 | 365 | 14.57 | 370 | 0.5% | 119.9 |
| 9896-35 | 14.57 | 370 | 14.76 | 375 | 0.5% | 121.0 |
| 9896-36 | 14.76 | 375 | 14.96 | 380 | 0.5% | 122.1 |
| 9896-37 | 14.96 | 380 | 15.16 | 385 | 0.5% | 123.2 |
| 9896-38 | 15.16 | 385 | 15.35 | 390 | 0.5% | 124.3 |
| 9896-39 | 15.35 | 390 | 15.55 | 395 | 0.5% | 125.4 |
| 9896-40 | 15.55 | 395 | 15.75 | 400 | 0.5% | 126.5 |
| 9896-040 | 15.75 | 400 | 15.75 | 400 | 0.0% | 126.5 |
| 9896-403 | 15.75 | 400 | 15.75 | 400 | 0.0% | 77.00 |

Note: For overall depth of channel add 1.00" to invert depth shown.

14" WIDE POLYMER CONCRETE DRAINS

14" Wide 'Shallow' Trench Drains with Ductile Iron Edge Rail for Extra Heavy Applications - PowerDrain® - Figure 9807

- Extra heavy duty integral ductile iron rails allow for heavy duty traffic
- Shallow non-slope design ideal for shallow depth applications
- May be assembled in any length
- Versatile for use in all surface drainage applications
- Convenient interlocking design
- Load Class F

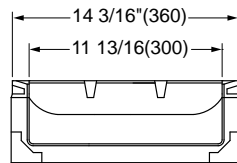


APPLICATIONS

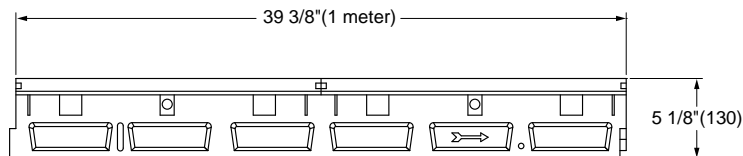
Airports • Docks & Ports • Military Bases
Truck Stops • Maintenance Shops • Hangars
Frequent Traffic Areas

FEATURES

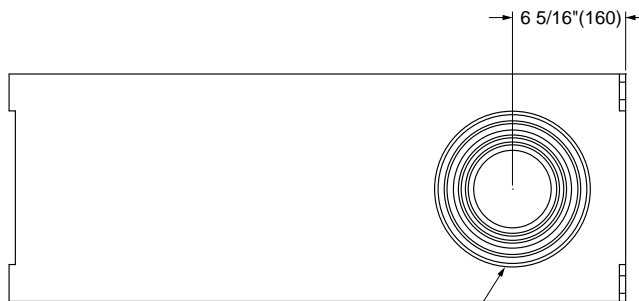
- 14" wide, polyester polymer concrete construction
- Shallow, non-sloping channels
- 1 meter channels can be assembled in any length
- Integral ductile iron rails allow for extra heavy duty applications.
- Supplied with secured ductile iron slotted grates



END VIEW



SIDE VIEW



BOTTOM VIEW

Regularly furnished with boltless PowerLok® securing device.

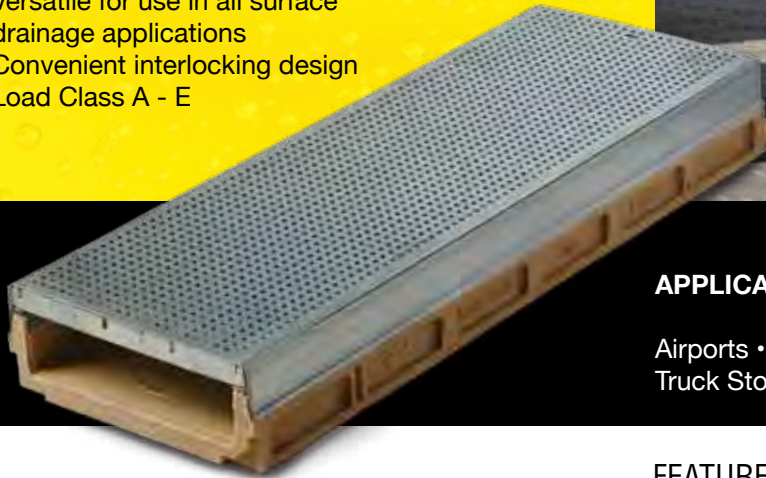
6" (152) and 8" (203) Sch 40 Knockout/Drillout

Note: This trench drain system is designed for "on grade applications only" as there are no provisions for a flashing flange or flashing clamp.

14" WIDE POLYMER CONCRETE DRAINS

14" Wide Non-Sloped Trench Drains with Integral Metal Rail - SlabDrain® Figure 9899

- Integral galvanized steel rails allow for heavy duty hard wheel traffic
- Shallow non-sloping channels may be assembled in any length
- Versatile for use in all surface drainage applications
- Convenient interlocking design
- Load Class A - E

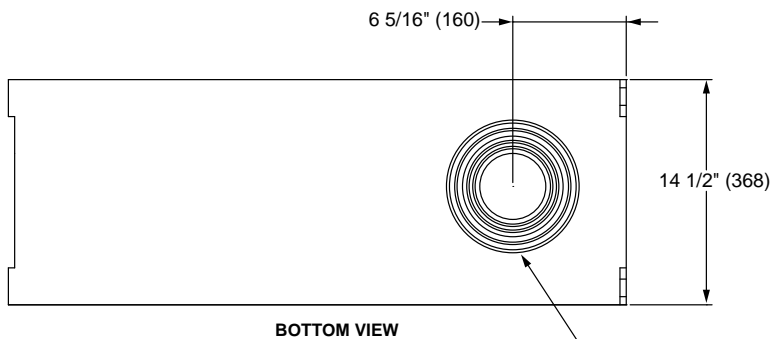
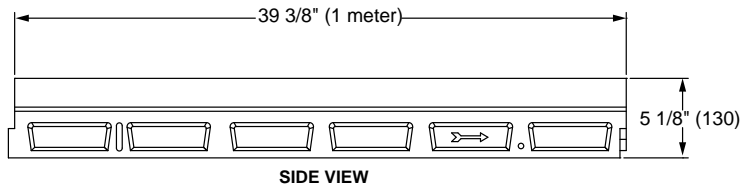
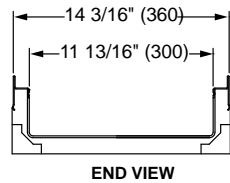


APPLICATIONS

Airports • Docks & Ports • Military Bases
Truck Stops

FEATURES

- Shallow, non-sloping channels can be assembled in any length
- 1 meter (3.28') channel length
- Polyester polymer concrete construction
- Interlocking design
- Integral galvanized steel rail for extra heavy duty applications
- 12" internal width
- A variety of grates are available to suit the application, from light to extra heavy duty
- Grates are secured with patented QuickLok® boltless locking system



Note: This trench drain system is designed for "on grade applications only" as there are no provisions for a flashing flange or flashing clamp.

6" (152) and 8" (203) Sch 40 Knockout/Drillout

JAY R. SMITH MFG. CO. 334.277.8520 www.jrsmith.com

SMITH ACO
Trench Drain Series

14" WIDE POLYMER CONCRETE DRAINS

14" Wide 'Pre-Sloped' Trench Drains with Ductile Iron Edge Rail for Extra Heavy Duty Applications - PowerLok® Figure 9879

- High capacity, extra heavy duty integral ductile iron rails allow for heavy duty traffic
- May be assembled in any length
- Convenient interlocking design
- Load Class F

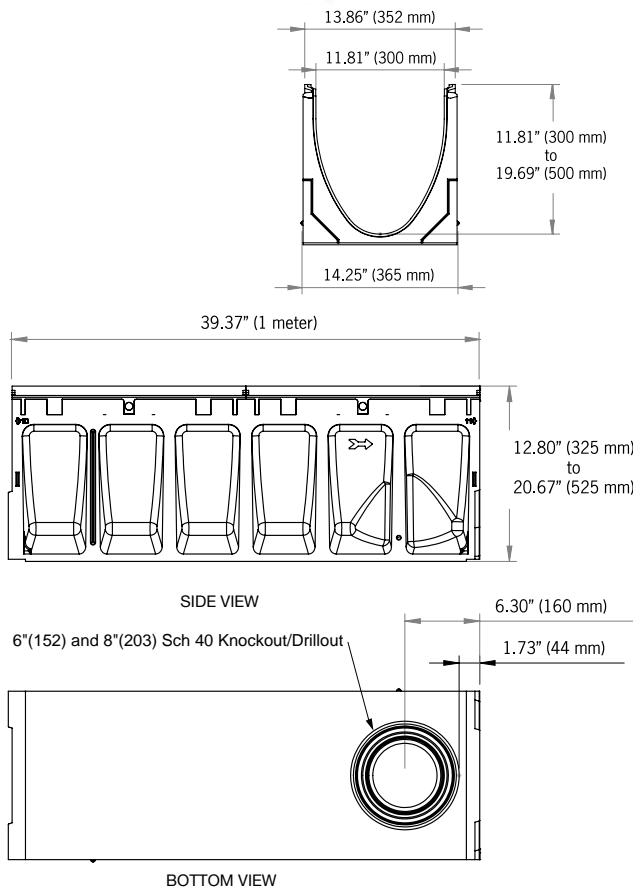


APPLICATIONS

Airports • Hangars • Fire Stations • Military Bases
Warehouses • Gas Stations • Highways
Frequent Traffic Areas

FEATURES

- A high capacity version of our 9877
- EN1433 Class F rated for 202,320 pound loads
- .5% Pre-sloped and non-sloping neutral sections (see diagram on next page for beginning and ending inverts)
- The grate is secured with a PowerLok® boltless locking device
- Integral shunts built into the ductile frame and grate to prevent lateral movement
- Built-in vertical outlet sections
- ADA Grate



Regularly furnished with boltless PowerLok® securing device.

Note: This trench drain system is designed for "on grade applications only" as there are no provisions for a flashing flange or flashing clamp.

Catch Basins

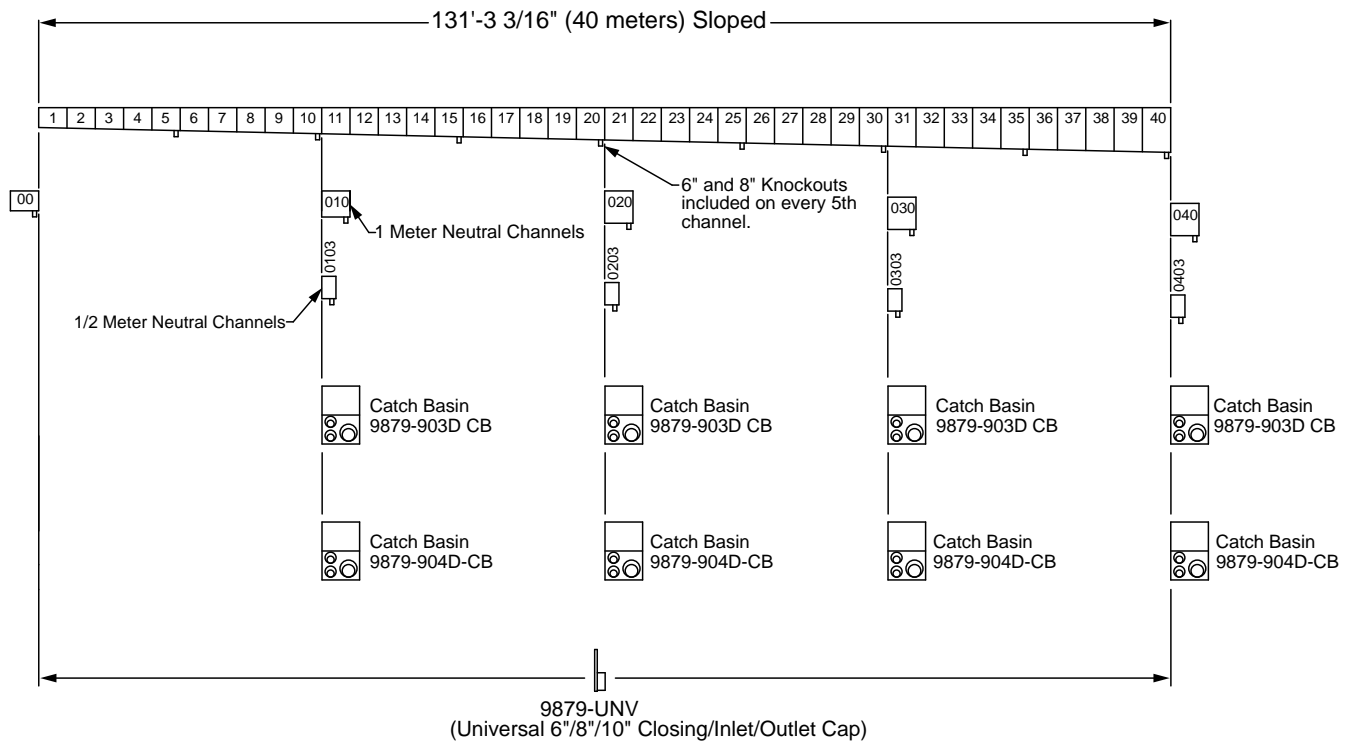


9879-903D
In-Line Catch Basin



9879-904D Catch Basin
(9879-631D shown with optional riser)

14" Wide 'Pre-Sloped' Polymer Concrete Trench Drains with Ductile Iron Edge Rail PowerLok® - Figure 9879



| TRENCH DEPTH 9879 SYSTEM | | | | | | | |
|--------------------------|--------------------|-----|-----------------|-----|-------|---------------------|-----------------|
| Channel Number | Shallow End Invert | | Deep End Invert | | Slope | Slotted Weight Lbs. | ADA Weight Lbs. |
| | Inch | mm | Inch | mm | | | |
| 9879-00 | 11.81 | 300 | 11.81 | 300 | 0.0% | 230.2 | 258.2 |
| 9879-1 | 11.81 | 300 | 12.01 | 305 | 0.5% | 230.2 | 258.2 |
| 9879-2 | 12.01 | 305 | 12.20 | 310 | 0.5% | 231.4 | 259.4 |
| 9879-3 | 12.20 | 310 | 12.40 | 315 | 0.5% | 232.7 | 260.7 |
| 9879-4 | 12.40 | 315 | 12.60 | 320 | 0.5% | 233.9 | 261.9 |
| 9879-5 | 12.60 | 320 | 12.80 | 325 | 0.5% | 235.1 | 263.1 |
| 9879-6 | 12.80 | 325 | 12.99 | 330 | 0.5% | 236.4 | 264.4 |
| 9879-7 | 12.99 | 330 | 13.19 | 335 | 0.5% | 237.6 | 265.6 |
| 9879-8 | 13.19 | 335 | 13.39 | 340 | 0.5% | 238.8 | 266.8 |
| 9879-9 | 13.39 | 340 | 13.58 | 345 | 0.5% | 240.0 | 268.0 |
| 9879-10 | 13.58 | 345 | 13.78 | 350 | 0.5% | 241.3 | 269.3 |
| 9879-010 | 13.78 | 350 | 13.78 | 350 | 0.0% | 241.3 | 269.3 |
| 9879-103 | 13.78 | 350 | 13.78 | 350 | 0.0% | 127.9 | 141.9 |
| 9879-11 | 13.78 | 350 | 13.98 | 355 | 0.5% | 242.5 | 270.5 |
| 9879-12 | 13.98 | 355 | 14.17 | 360 | 0.5% | 243.7 | 271.7 |
| 9879-13 | 14.17 | 360 | 14.37 | 365 | 0.5% | 245.0 | 273.0 |
| 9879-14 | 14.37 | 365 | 14.57 | 370 | 0.5% | 246.2 | 274.2 |
| 9879-15 | 14.57 | 370 | 14.76 | 375 | 0.5% | 247.4 | 275.4 |
| 9879-16 | 14.76 | 375 | 14.96 | 380 | 0.5% | 248.7 | 276.7 |
| 9879-17 | 14.96 | 380 | 15.16 | 385 | 0.5% | 249.9 | 277.9 |
| 9879-18 | 15.16 | 385 | 15.35 | 390 | 0.5% | 251.1 | 279.1 |
| 9879-19 | 15.35 | 390 | 15.55 | 395 | 0.5% | 252.4 | 280.4 |
| 9879-20 | 15.55 | 395 | 15.75 | 400 | 0.5% | 253.6 | 281.6 |
| 9879-020 | 15.75 | 400 | 15.75 | 400 | 0.0% | 253.6 | 281.6 |
| 9879-203 | 15.75 | 400 | 15.75 | 400 | 0.0% | 134.9 | 148.9 |

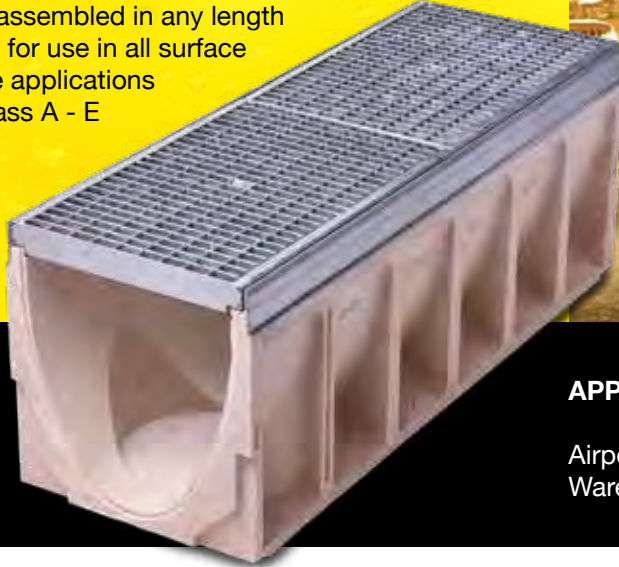
| TRENCH DEPTH 9879 SYSTEM | | | | | | | |
|--------------------------|--------------------|-----|-----------------|-----|-------|---------------------|-----------------|
| Channel Number | Shallow End Invert | | Deep End Invert | | Slope | Slotted Weight Lbs. | ADA Weight Lbs. |
| | Inch | mm | Inch | mm | | | |
| 9879-21 | 15.75 | 400 | 15.94 | 405 | 0.5% | 254.8 | 282.8 |
| 9879-22 | 15.94 | 405 | 16.14 | 410 | 0.5% | 256.1 | 284.1 |
| 9879-23 | 16.14 | 410 | 16.34 | 415 | 0.5% | 257.3 | 285.3 |
| 9879-24 | 16.34 | 415 | 16.54 | 420 | 0.5% | 258.5 | 286.5 |
| 9879-25 | 16.54 | 420 | 16.73 | 425 | 0.5% | 259.7 | 287.7 |
| 9879-26 | 16.73 | 425 | 16.93 | 430 | 0.5% | 261.0 | 289.0 |
| 9879-27 | 16.93 | 430 | 17.13 | 435 | 0.5% | 262.2 | 290.2 |
| 9879-28 | 17.13 | 435 | 17.32 | 440 | 0.5% | 263.4 | 291.4 |
| 9879-29 | 17.32 | 440 | 17.52 | 445 | 0.5% | 264.7 | 292.7 |
| 9879-30 | 17.52 | 445 | 17.72 | 450 | 0.5% | 265.9 | 293.9 |
| 9879-030 | 17.72 | 450 | 17.72 | 450 | 0.0% | 265.9 | 293.9 |
| 9879-303 | 17.72 | 450 | 17.72 | 450 | 0.0% | 142.1 | 156.1 |
| 9879-31 | 17.72 | 450 | 17.91 | 455 | 0.5% | 267.1 | 295.1 |
| 9879-32 | 17.91 | 455 | 18.11 | 460 | 0.5% | 268.4 | 296.4 |
| 9879-33 | 18.11 | 460 | 18.31 | 465 | 0.5% | 269.6 | 297.6 |
| 9879-34 | 18.31 | 465 | 18.50 | 470 | 0.5% | 270.8 | 298.8 |
| 9879-35 | 18.50 | 470 | 18.70 | 475 | 0.5% | 272.1 | 300.1 |
| 9879-36 | 18.70 | 475 | 18.90 | 480 | 0.5% | 273.3 | 301.3 |
| 9879-37 | 18.90 | 480 | 19.09 | 485 | 0.5% | 274.5 | 302.5 |
| 9879-38 | 19.09 | 485 | 19.29 | 490 | 0.5% | 275.7 | 303.7 |
| 9879-39 | 19.29 | 490 | 19.49 | 495 | 0.5% | 277.0 | 305.0 |
| 9879-40 | 19.49 | 495 | 19.69 | 500 | 0.5% | 278.2 | 306.2 |
| 9879-040 | 19.69 | 500 | 19.69 | 500 | 0.0% | 278.2 | 306.2 |
| 9879-403 | 19.69 | 500 | 19.69 | 500 | 0.0% | 150.3 | 164.3 |

Note: For overall depth of channel add 1.00" to invert depth shown.

14" WIDE POLYMER CONCRETE DRAINS

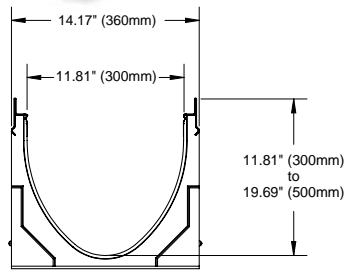
14" Wide Trench Drains with Integral Metal Rail - KlassikDrain® - Figure 9897

- Integral galvanized steel rails allow for heavy duty hard wheel traffic
- May be assembled in any length
- Versatile for use in all surface drainage applications
- Load Class A - E

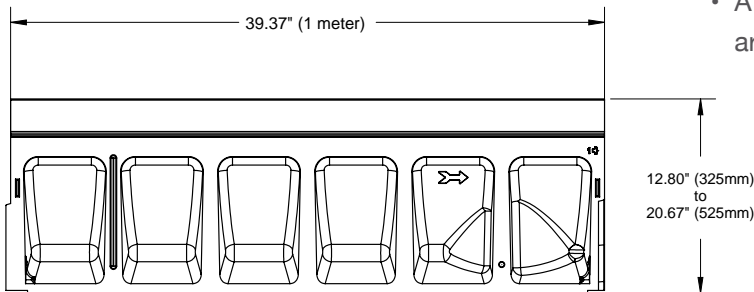


APPLICATIONS

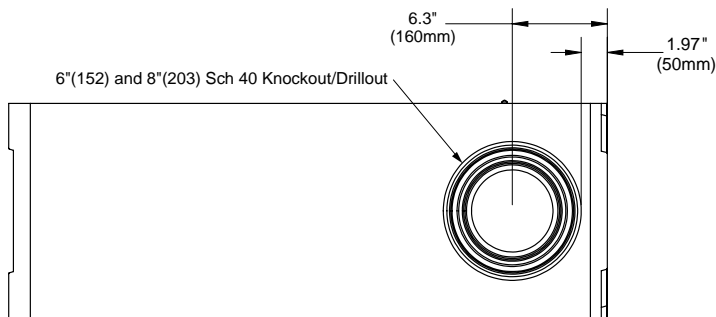
Airports • Hangars • Fire Stations • Military Bases
Warehouses • Gas Stations • Highways



END VIEW



SIDE VIEW



BOTTOM VIEW

FEATURES

- 14" wide, polyester polymer concrete construction
- 1 meter sloping channels can be assembled in any length
- Built in slope of .5%
- Optional stainless steel rails
- A variety of grates from light to extra heavy duty are available

Catch Basins



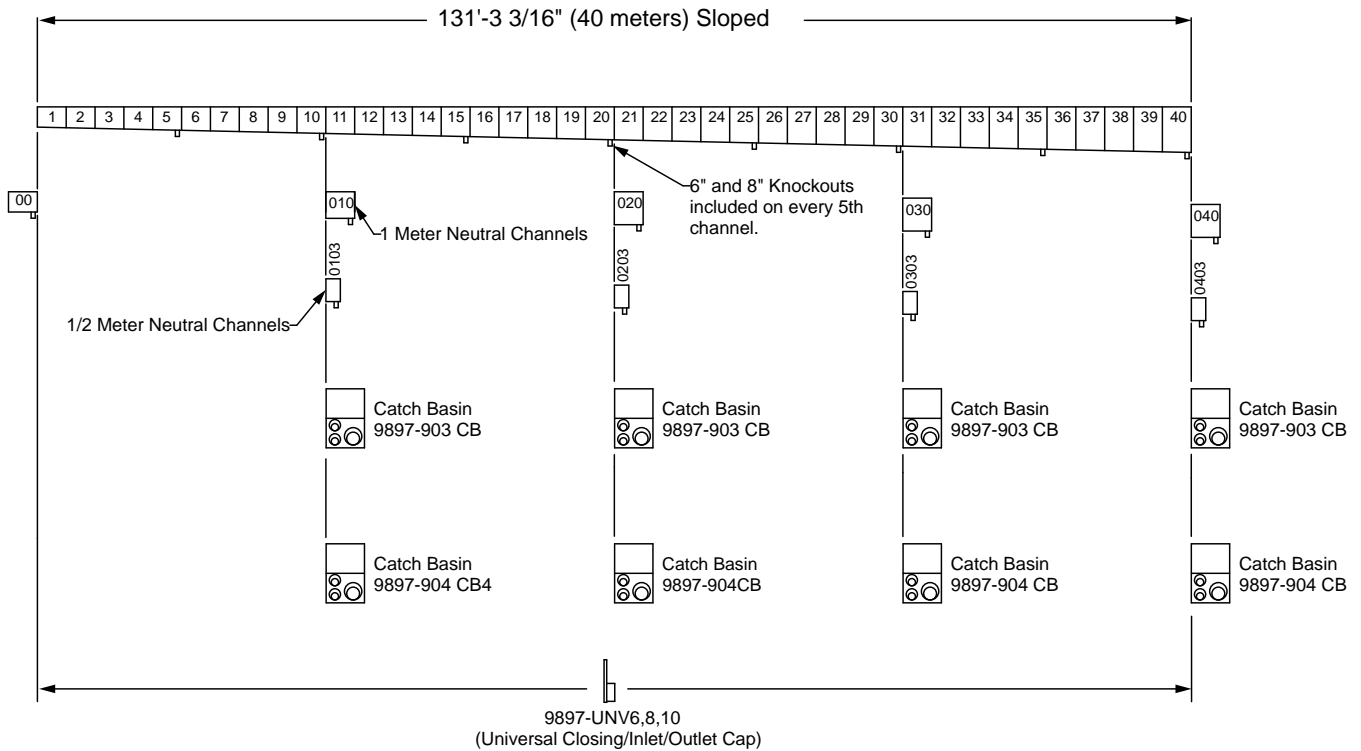
9897-903
In-Line Catch Basin



9897-904 Catch Basin
(9897-631 shown with optional riser)

Note: This trench drain system is designed for "on grade applications only" as there are no provisions for a flashing flange or flashing clamp.

14" Wide Polymer Concrete Trench Drains with Integral Metal Rail KlassikDrain® - Figure 9897



| TRENCH DEPTH 9897 SYSTEM | | | | | | |
|--------------------------|--------------------|-----|-----------------|-----|-------|-------------|
| Channel Number | Shallow End Invert | | Deep End Invert | | Slope | Weight Lbs. |
| | Inch | mm | Inch | mm | | |
| 9897-00 | 11.81 | 300 | 11.81 | 300 | 0.0% | 132.6 |
| 9897-1 | 11.81 | 305 | 12.01 | 305 | 0.5% | 132.6 |
| 9897-2 | 12.01 | 310 | 12.20 | 310 | 0.5% | 133.8 |
| 9897-3 | 12.20 | 315 | 12.40 | 315 | 0.5% | 135.0 |
| 9897-4 | 12.40 | 320 | 12.60 | 320 | 0.5% | 136.2 |
| 9897-5 | 12.60 | 325 | 12.80 | 325 | 0.5% | 137.4 |
| 9897-6 | 12.80 | 330 | 12.99 | 330 | 0.5% | 138.6 |
| 9897-7 | 12.99 | 335 | 13.19 | 335 | 0.5% | 139.8 |
| 9897-8 | 13.19 | 340 | 13.39 | 340 | 0.5% | 141.0 |
| 9897-9 | 13.39 | 345 | 13.58 | 345 | 0.5% | 142.2 |
| 9897-10 | 13.58 | 350 | 13.78 | 350 | 0.5% | 143.4 |
| 9897-010 | 13.78 | 350 | 13.78 | 350 | 0.0% | 143.4 |
| 9897-103 | 13.78 | 350 | 13.78 | 350 | 0.0% | 75.3 |
| 9897-11 | 13.78 | 355 | 13.98 | 355 | 0.5% | 144.6 |
| 9897-12 | 13.98 | 360 | 14.17 | 360 | 0.5% | 145.8 |
| 9897-13 | 14.17 | 365 | 14.37 | 365 | 0.5% | 147.0 |
| 9897-14 | 14.37 | 370 | 14.57 | 370 | 0.5% | 148.2 |
| 9897-15 | 14.57 | 375 | 14.76 | 375 | 0.5% | 149.4 |
| 9897-16 | 14.76 | 380 | 14.96 | 380 | 0.5% | 150.6 |
| 9897-17 | 14.96 | 385 | 15.16 | 385 | 0.5% | 151.8 |
| 9897-18 | 15.16 | 390 | 15.35 | 390 | 0.5% | 153.0 |
| 9897-19 | 15.35 | 395 | 15.55 | 395 | 0.5% | 154.2 |
| 9897-20 | 15.55 | 400 | 15.75 | 400 | 0.5% | 155.4 |
| 9897-020 | 15.75 | 400 | 15.75 | 400 | 0.0% | 155.4 |
| 9897-203 | 15.75 | 400 | 15.75 | 400 | 0.0% | 82.3 |

| TRENCH DEPTH 9897 SYSTEM | | | | | | |
|--------------------------|--------------------|-----|-----------------|-----|-------|-------------|
| Channel Number | Shallow End Invert | | Deep End Invert | | Slope | Weight Lbs. |
| | Inch | mm | Inch | mm | | |
| 9897-21 | 15.75 | 405 | 15.94 | 405 | 0.5% | 156.7 |
| 9897-22 | 15.94 | 410 | 16.14 | 410 | 0.5% | 157.9 |
| 9897-23 | 16.14 | 415 | 16.34 | 415 | 0.5% | 159.1 |
| 9897-24 | 16.34 | 420 | 16.54 | 420 | 0.5% | 160.3 |
| 9897-25 | 16.54 | 425 | 16.73 | 425 | 0.5% | 161.5 |
| 9897-26 | 16.73 | 430 | 16.93 | 430 | 0.5% | 162.7 |
| 9897-27 | 16.93 | 435 | 17.13 | 435 | 0.5% | 163.9 |
| 9897-28 | 17.13 | 440 | 17.32 | 440 | 0.5% | 165.1 |
| 9897-29 | 17.32 | 445 | 17.52 | 445 | 0.5% | 166.3 |
| 9897-30 | 17.52 | 450 | 17.72 | 450 | 0.5% | 167.5 |
| 9897-030 | 17.72 | 450 | 17.72 | 450 | 0.0% | 167.5 |
| 9897-303 | 17.72 | 450 | 17.72 | 450 | 0.0% | 89.5 |
| 9897-31 | 17.72 | 455 | 17.91 | 455 | 0.5% | 168.7 |
| 9897-32 | 17.91 | 460 | 18.11 | 460 | 0.5% | 169.9 |
| 9897-33 | 18.11 | 465 | 18.31 | 465 | 0.5% | 171.1 |
| 9897-34 | 18.31 | 470 | 18.50 | 470 | 0.5% | 172.3 |
| 9897-35 | 18.50 | 475 | 18.70 | 475 | 0.5% | 173.5 |
| 9897-36 | 18.70 | 480 | 18.90 | 480 | 0.5% | 174.7 |
| 9897-37 | 18.90 | 485 | 19.09 | 485 | 0.5% | 175.9 |
| 9897-38 | 19.09 | 490 | 19.29 | 490 | 0.5% | 177.1 |
| 9897-39 | 19.29 | 495 | 19.49 | 495 | 0.5% | 178.3 |
| 9897-40 | 19.49 | 500 | 19.69 | 500 | 0.5% | 179.5 |
| 9897-040 | 19.69 | 500 | 19.69 | 500 | 0.0% | 179.5 |
| 9897-403 | 19.69 | 500 | 19.69 | 500 | 0.0% | 97.7 |

Note: For overall depth of channel add 1.00" to invert depth shown.

SHALLOW DEPTH POLYMER CONCRETE DRAINS

6" Wide 'Non-Sloped' Shallow Trench Drains with Integral Galvanized Edge Rail
Figure 9836

- Integrally molded steel edge rail
- Reduce installation time and cost with interlocking tongue and groove ends
- Ideal for restricted installation depths
- May be assembled in any length
- Load Class A - E

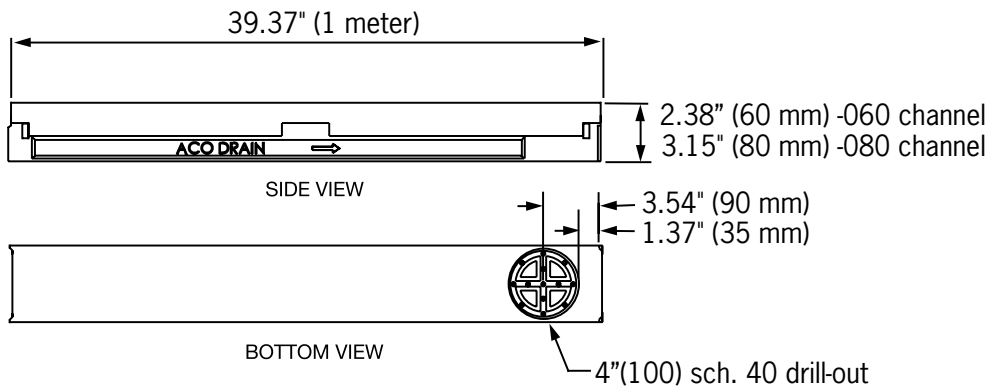
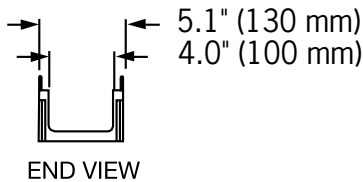


APPLICATIONS

Warehousing • Bottling Plants • Industrial Plants
Fire Stations • Hangars • Restaurants

FEATURES:

- 1 meter (3.28') precast polyester polymer concrete construction
- High-strength, lightweight channels feature interlocking design
- Groove profile for ease of installation and alignment
- Non-sloping bottom
- Supplied with secured grate per specification



Note: This trench drain system is designed for "on grade applications only" as there are no provisions for a flashing flange or flashing clamp.

QuickLok® is a registered trademark of ACO Polymer Products, Inc.

NARROW POLYMER CONCRETE DRAINS

3" Wide 'No Grade' 'Narrow' Trench Drains - Figure 9833

- High strength polyester polymer concrete construction
- Ease of assembly in any length with interlocking tongue and groove ends
- Reduces installation time and cost
- Load class A - C

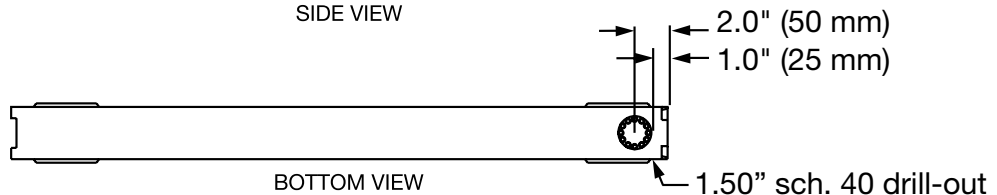
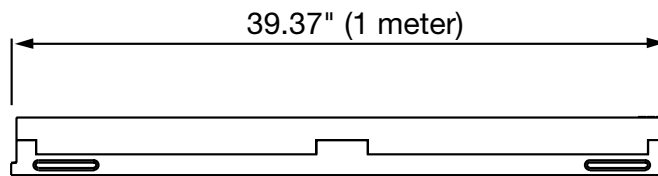
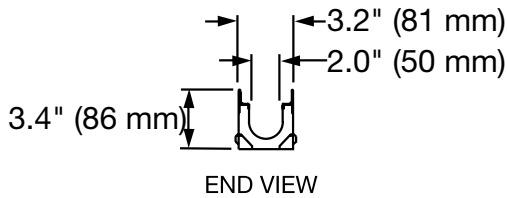


APPLICATIONS

Swimming Pools • Pedestrian Areas • Sidewalks

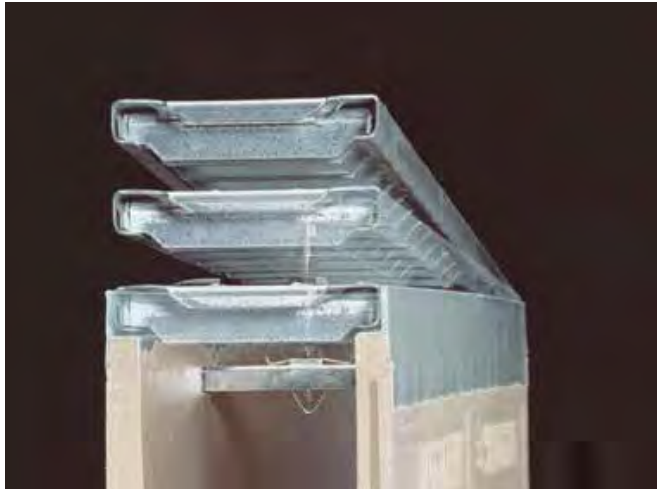
FEATURES:

- 1 meter (3.28') precast polyester polymer concrete construction
- High-strength, lightweight channels feature interlocking design
- Non-sloping radius bottom channel
- Integrally molded galvanized steel edge rail
- Supplied with grate per specification, see submittal for details



Note: This trench drain system is designed for "on grade applications only" as there are no provisions for a flashing flange or flashing clamp.

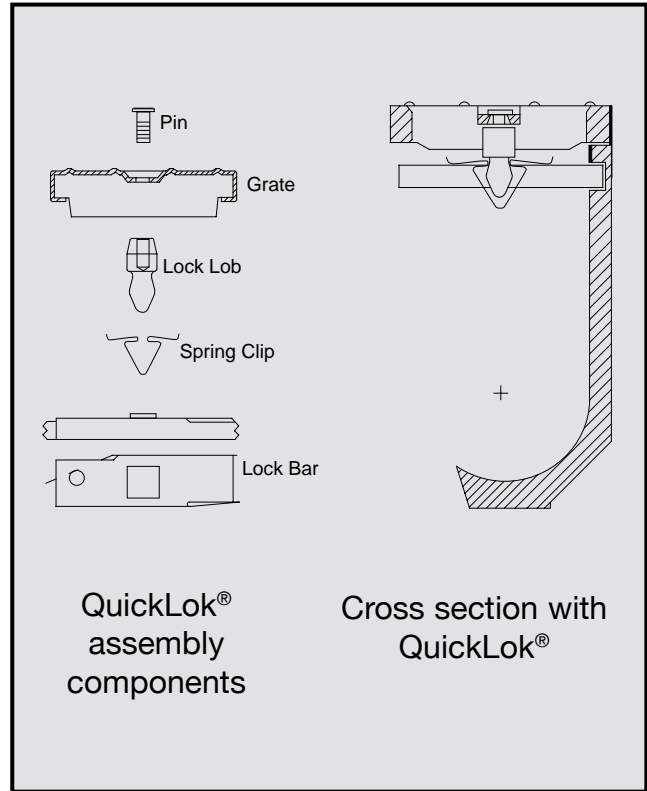
QuickLok®/PowerLok® Details



The QuickLok® grate locking system is designed to improve access to the trench drain for cleaning and maintenance. With QuickLok®, removing grate lockdown bolts is in the past.

FEATURES

- Preassembled to the grates
- Contractor places QuickLok® locking bar in channel
- Locking bar remains in place by tension side grips
- Optional QuickLok® grate removal tool



QuickLok® is a registered trademark of ACO Polymer Products, Inc.

QuickLok® Boltless Locking System



1. Insert locking bar into channel's locking pockets and secure by inserting shims on both sides.



2. The locking force is sufficient to hold grates in place up to load Class E.



3. There is no need for tools to fasten the grate into the channel. The grate snaps into place with a quick impact.



4. The grate is fully secured and ready for use.

Patented PowerLok® Boltless Locking System



1. To lock grate in place, insert -GRT tool into clip and pull.

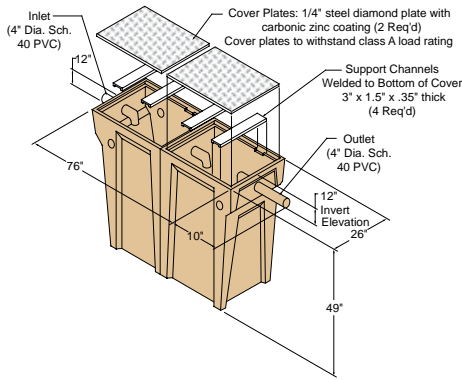


3. To remove grate, place the -GRT tool between the grate clip and the trench rail and rotate clockwise. Clip will release easily.



9857 Oil Separator, 9846 Sump Boxes and 9812 Series Catch Basins

9857 Oil Separator



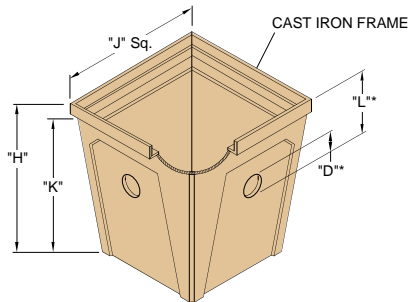
The Jay R. Smith Mfg. Co.® Drainage Systems 9857 Oil Separator effectively helps to separate oils, gases, acids, sand, food remains and sludges from wastewater. It can be utilized in a variety of applications – auto body shops, gas stations, and manufacturing and food processing plants. The 9857 is a manufactured double-basin 220 gallon capacity design from polymer concrete. All PVC 4" piping and cover plates are provided.

Smith Drainage Systems will furnish engineering and installation drawings for your review. Technical assistance is also available for installation, which normally is accomplished in a few hours.

1/4" steel diamond cover plates with carbonic zinc coatings are standard for the 9857. The load rating is Class A, or light Duty, for slow speed pneumatic tire traffic only, gross vehicle weight of 3500 lbs – 70PSI.

Available options include holes for venting and Heavy Duty load class "C" covers.

9846 Sump Boxes



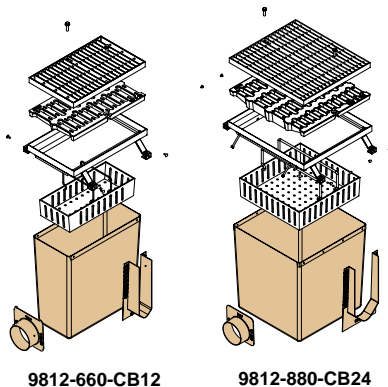
The Jay R. Smith Mfg. Co.® Drainage Systems 9846 Sump Boxes are preassembled modular units which offer solutions to many applications. Well-suited for high capacity flow rates, solids and sludge handling, chemical containment, and pump housing, the sump boxes are available in a range of sizes from 2' x 2' x 2' to 4' x 4' x 4'.

These polymer concrete sump boxes are easily adapted for uses with any of the Channel Slope Precast Polymer Concrete Systems. Upon specification, knockouts can be custom fabricated for pipe connections. Regularly furnished with cast iron frame and loose set cast iron slotted grate. Jay R. Smith Mfg. Co. Drainage Systems' trained staff will assist in specifying the 9846 Sump Box to meet your special needs.

*Specify Inlet and Outlet Diameter and Invert Location

| Figure Number | Inside Dimension of Sump Box | Capacity | | Weight w/o Cover | "H" w/Frame | "K" w/out Frame | "J" SQ Outside DIM |
|---------------|------------------------------|----------|--------|------------------|-----------------|-----------------|--------------------|
| | | Gallons | Liters | | | | |
| 9846 | 2' x 2' (610mm x 610mm) | 43.3 | 164 | 197 (90 kg) | 26.75 (680mm) | 24.00 (610mm) | 27.88 (708mm) |
| 9847 | 3' x 3' (914mm x 914mm) | 161.2 | 610 | 467 (212 kg) | 38.50 (978mm) | 35.75 (909mm) | 40.50 (1029mm) |
| 9848 | 4' x 4' (1219mm x 1219mm) | 475 | 1798 | 808 (368 kg) | 50.38 (1280 mm) | 48.75 (1238mm) | 51.38 (1305mm) |

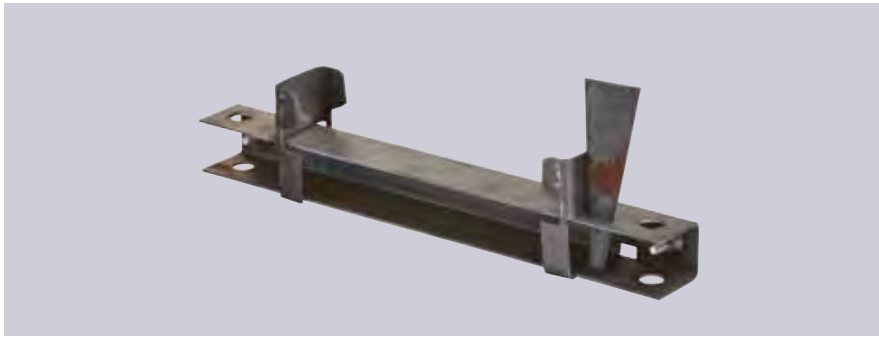
9812 Catch Basins



The 9812 Series Catch Basins are (9812-660-CB12) 1'-3" x 2' x 2'-3" deep and (9812-880-CB24) 2' x 2'-3" x 2'-4" deep units. These catch basins can be used in conjunction with the 9812 Fiberglass Trench System.

Knockouts to accept trench inlets or plumbing connections are easily fabricated on the job site. All units come standard with a secured, slotted ductile iron grate and coated steel frame, as well as installation brackets.

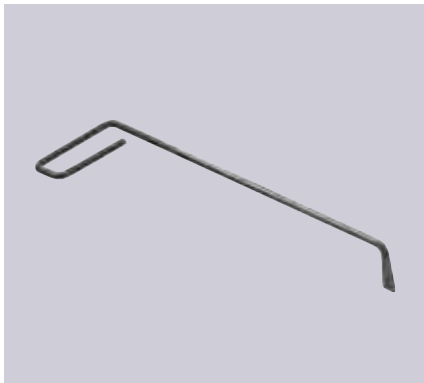
Polymer Concrete Drainage Systems Accessories



Installation Device Works with 9895, 9896, 9877, 9878, and 9879 Series Trench Drains



9853 Shovel Head
Shaped to match the inside diameter of all 4" I.D. channels, the 9853 Shovel Head is a convenient tool for channel cleaning.



9859 Grate Removal Tool
Designed to ease the removal of grates from the trench drainage system.



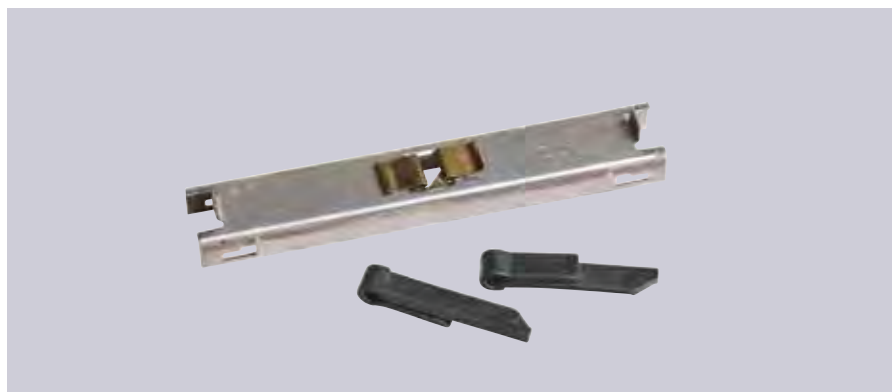
6" Pipe Outlets
Manufactured with quality, pipe outlets form a rugged connection between channels and underground piping systems. 6" flumed schedule 40 PVC.



ACO Bond - P (Polyester)
Polymer Joint sealant for use with polyester polymer concrete channels. ACO-Bond sealant is available in a 2 1/2 lb. size, enough for 25 joints.



9854 Strainer
Designed to fit a 4" diameter channel outlet hole, the strainer prevents debris from entering underground piping systems.



QuickLok® Boltless Locking Bar Works with 9895, 9896, and 9897 Series

Channel Slope®, Channel Brace®, ACOWall® and QuickLok® are registered trademarks of ACO Polymer Products, Inc.



FIBERGLASS TRENCH DRAINS

10" TO 12" WIDE - 9812 - 9872 SERIES



Figure Number 9812



Figure Number 9872

Figure Number 9812 - 10" wide high capacity pre-sloped fiberglass trench drains

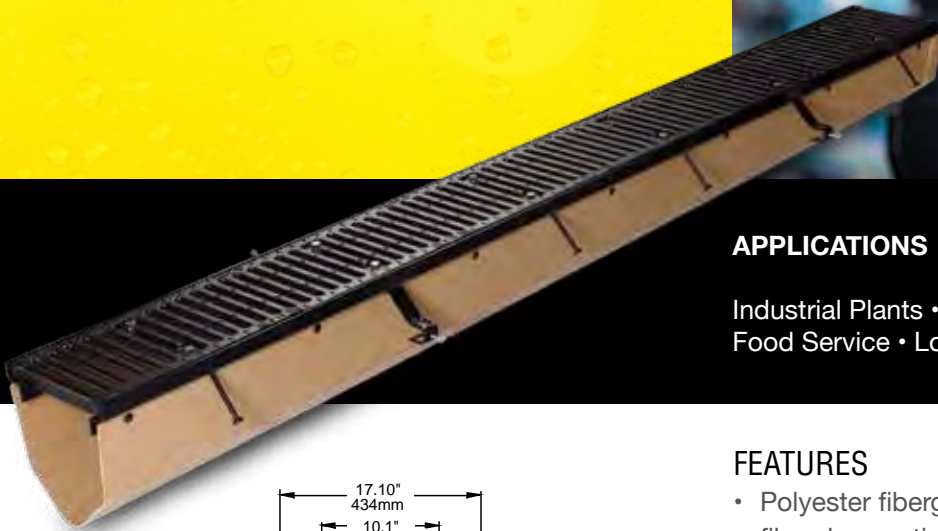
Figure Number 9872 - 12" wide high capacity pre-sloped fiberglass trench drains

- Engineered solutions for high capacity and advanced hydraulic requirements.
- High strength, light weight, and corrosion-resistant.
- Quick evacuation of large volumes of standing or surface liquids (dependent on grate selection).
- 8" internal width and built in slope of 1%.
- 12 sloped channels and 4 neutral channels are each nine feet in length and 4 neutral channels are three feet in length. Channel depth varies from 6.88 to 20.38 inches.
- Ideal for rapid installation.
- Corrosion-resistant polyester fiberglass.

10" WIDE FIBERGLASS

10" Wide High Capacity Pre-Sloped Trench Drains - Figure 9812

- Durable fiberglass construction
- High strength, lightweight and corrosion-resistant
- Convenient pre-sloped and non-sloping channels
- Internal width of 8"
- Grate seat 10" wide
- Load Class C and E



APPLICATIONS

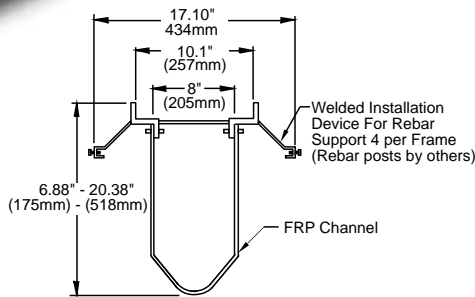
Industrial Plants • Warehousing • Bottling Plants
Food Service • Loading Docks

FEATURES

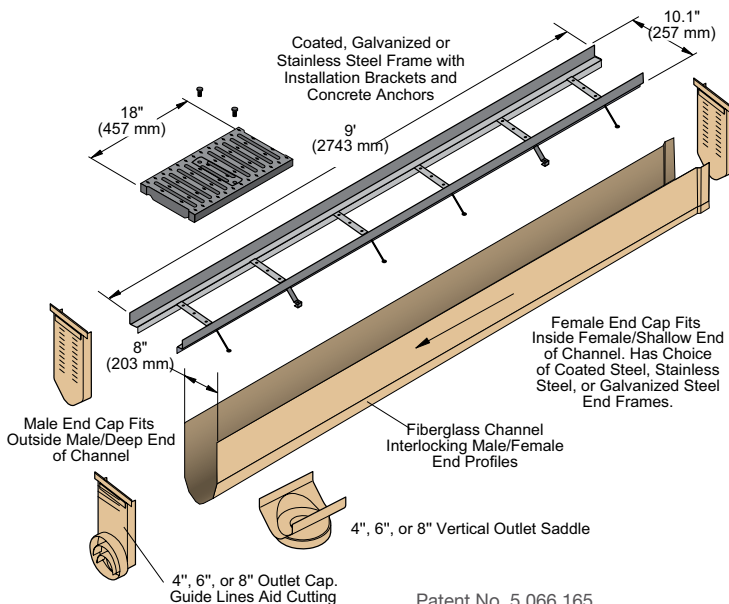
- Polyester fiberglass is standard; vinylester fiberglass optional for additional corrosion resistance
- 9' in length
- Channel depth from 6.88" to 20.38" (see chart next page)
- Duco coated welded steel frame support system with concrete anchors (one pair every 18 inches)
- Painted, fabricated steel angle in Z pattern
- Rebar/all thread elevation setting option built into frame
- Push fit frame and channel assembly
- Galvanized steel frame optional
- Stainless steel frame optional
- Wide variety of grate options (see page 68)
- Supplied with secured load class "E" ductile iron slotted grate
- Outlets can be located anywhere along bottom of channel

ACCESSORY COMPONENTS INCLUDE:

- Catch basins
- Universal end caps
- Universal outlet caps
- 4", 6" and 8" bottom outlets to provide a high degree of flexibility when designing the system
- Custom outlets are available upon customer request



CROSS SECTION DETAIL



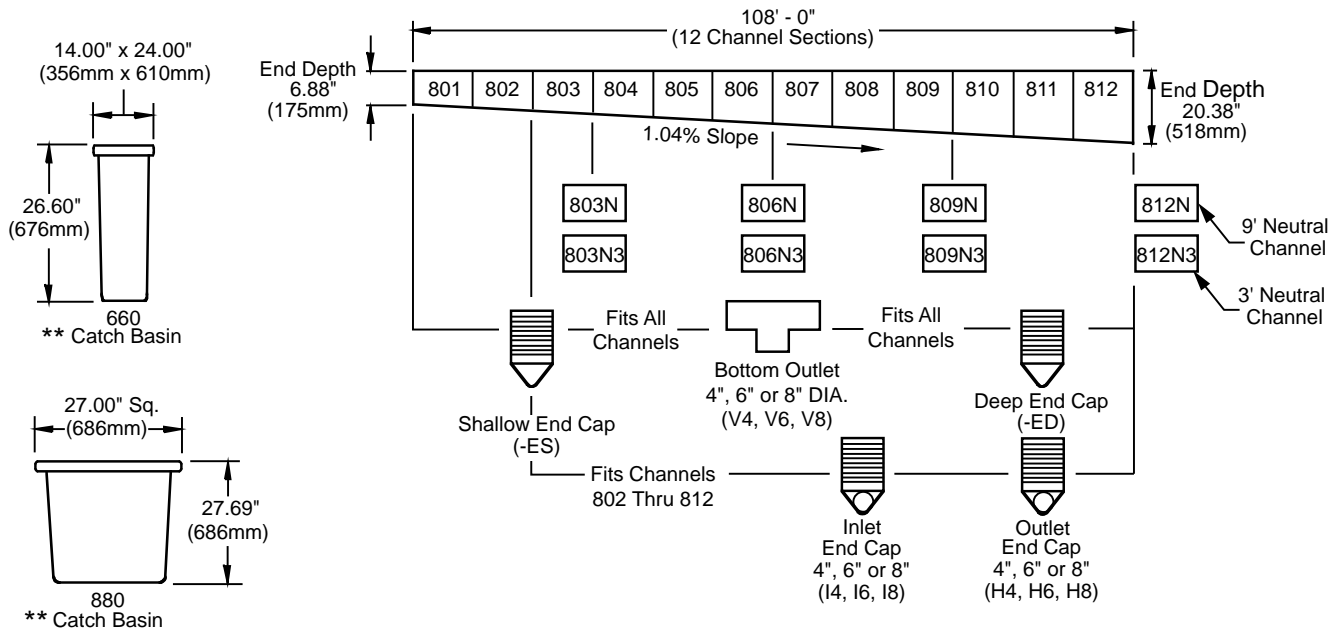
Patent No. 5,066,165



JAY R. SMITH MFG. CO. 334.277.8520 www.jrsmith.com

10" Wide Fiberglass High Capacity Pre-Sloped Trench Drains

Figure 9812



| Trench Depth 9812 System | | | | | |
|--------------------------|---------------------|-----|------------------|-----|----------------------------|
| Channel Number | Shallow End Invert* | | Deep End Invert* | | Holding Capacity (gallons) |
| | in. | mm | in. | mm | |
| 9812-801 | 6.88 | 175 | 8.00 | 203 | 18.37 |
| 9812-802 | 8.00 | 203 | 9.13 | 232 | 22.58 |
| 9812-803 | 9.13 | 232 | 10.25 | 260 | 26.79 |
| ** 9812-803N | 10.25 | 260 | 10.25 | 260 | 28.80 |
| *** 9812-803N3 | 10.25 | 260 | 10.25 | 260 | 9.60 |
| 9812-804 | 10.25 | 260 | 11.38 | 289 | 31.00 |
| 9812-805 | 11.38 | 289 | 12.50 | 317 | 35.21 |
| 9812-806 | 12.50 | 317 | 13.63 | 346 | 39.42 |
| ** 9812-806N | 13.63 | 346 | 13.63 | 346 | 41.50 |
| *** 9812-806N3 | 13.63 | 346 | 13.63 | 346 | 13.83 |
| 9812-807 | 13.63 | 346 | 14.75 | 374 | 43.63 |
| 9812-808 | 14.75 | 374 | 15.88 | 403 | 47.84 |
| 9812-809 | 15.88 | 403 | 17.00 | 432 | 52.05 |
| ** 9812-809N | 17.00 | 432 | 17.00 | 432 | 54.10 |
| *** 9812-809N3 | 17.00 | 432 | 17.00 | 432 | 18.00 |
| 9812-810 | 17.00 | 432 | 18.13 | 460 | 56.26 |
| 9812-811 | 18.13 | 460 | 19.25 | 489 | 60.47 |
| 9812-812 | 19.25 | 489 | 20.38 | 517 | 64.68 |
| ** 9812-812N | 20.38 | 517 | 20.38 | 517 | 66.76 |
| *** 9812-812N3 | 20.38 | 517 | 20.38 | 517 | 22.25 |

*The end inverts include grate frame.
 ** 9' Long Neutral Channel
 *** 3' Long Neutral Channel

| Outlet Cap Flow Rates | | | | |
|-----------------------|---------|--------------|-----|------|
| Outlet Size | Channel | Invert Depth | GPM | CFS |
| 4" Vertical | 801 | 7.88 (200) | 154 | 0.34 |
| 4" Vertical | 812 | 20.25 (514) | 246 | 0.54 |
| 6" Vertical | 801 | 7.88 (200) | 346 | 0.77 |
| 6" Vertical | 812 | 20.25 (514) | 553 | 1.23 |
| 8" Vertical | 801 | 7.88 (200) | 616 | 1.37 |
| 8" Vertical | 812 | 20.25 (514) | 982 | 2.18 |
| 4" Horizontal | 802 | 9.00 (229) | 145 | 0.33 |
| 4" Horizontal | 812 | 20.25 (514) | 233 | 0.54 |
| 6" Horizontal | 803 | 10.13 (257) | 330 | 0.76 |
| 6" Horizontal | 812 | 20.25 (514) | 510 | 1.17 |
| 8" Horizontal | 805 | 12.38 (314) | 635 | 1.46 |
| 8" Horizontal | 812 | 20.25 (514) | 880 | 2.03 |

Dim's in () are mm.

Note: This trench drain system is designed for "on grade applications only" as there are no provisions for a flashing flange or flashing clamp.

12" WIDE FIBERGLASS

12" Wide High Capacity Pre-Sloped Trench Drains - Figure 9872

- High capacity channels reduce installation time and labor
- May be assembled in any length utilizing 9-foot channels
- Durable fiberglass construction
- High strength, light weight and corrosion-resistant
- 12" wide grate seat area
- Load Class E



APPLICATIONS

Industrial Plants • Warehousing • Bottling Plants
Food Service • Loading Docks

FEATURES

- 9' long, high-capacity channel
- Polyester fiberglass construction
- Sloped radius bottom surface
- Duco coated welded steel frame support system with concrete anchors (one pair every 18 inches)
- Supplied with secured load class "E" ductile iron slotted grate

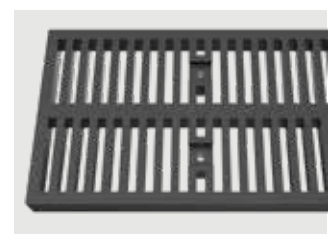
ACCESSORY COMPONENTS INCLUDE:

- Catch basins
- Universal end caps
- Universal outlet caps
- 4", 6" and 8" bottom outlets to provide a high degree of flexibility when designing the system
- Custom outlets are available upon customer request.

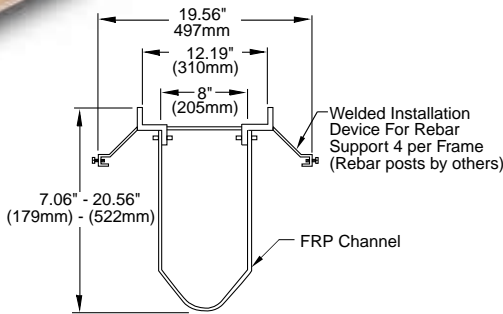
GRATE

EXTRA HEAVY DUTY

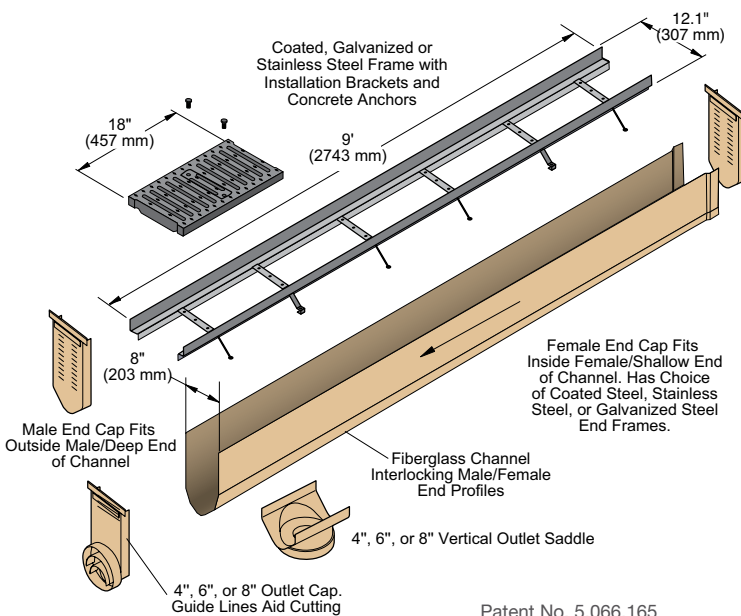
EN1433 Class E:
135,000 lbs - 2,788
psi. For commercial
solid tire traffic
patterns, forklifts
and impacts from steel
struts or metal wheels.



Ductile Iron Slotted Grate
Length: 18 inches



CROSS SECTION DETAIL



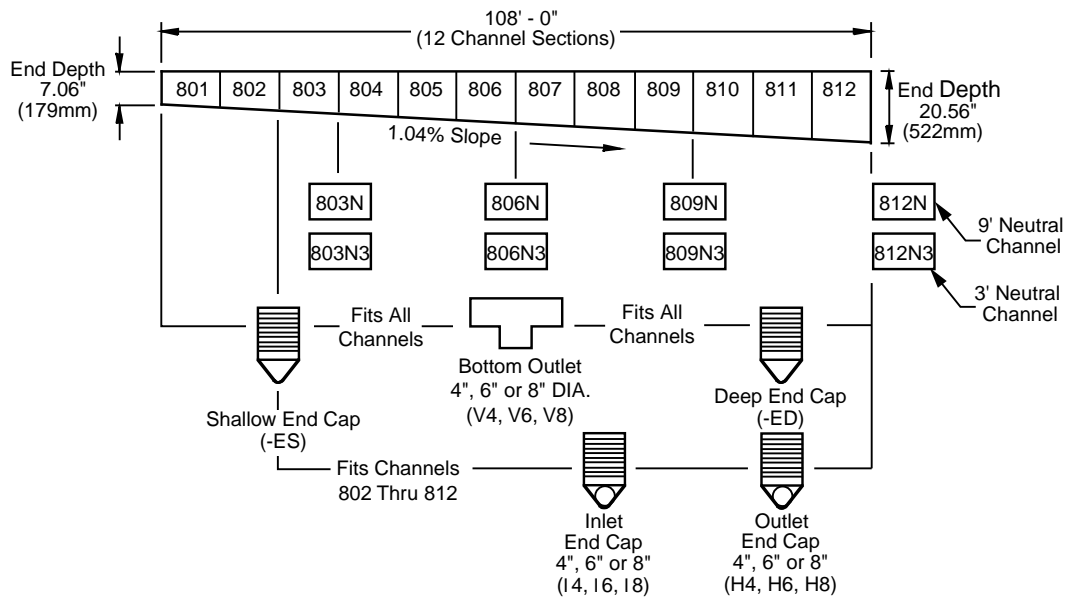
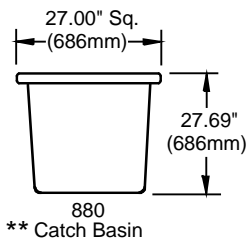
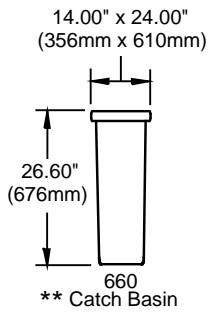
Patent No. 5,066,165



JAY R. SMITH MFG. CO. 334.277.8520 www.jrsmith.com

12" Wide Fiberglass High Capacity Pre-Sloped Trench Drains

Figure 9872



| Trench Depth 9872 System | | | | | |
|--------------------------|---------------------|-----|------------------|-----|----------------------------|
| Channel Number | Shallow End Invert* | | Deep End Invert* | | Holding Capacity (gallons) |
| | in. | mm | in. | mm | |
| 9872-801 | 7.06 | 179 | 8.19 | 208 | 18.37 |
| 9872-802 | 8.19 | 208 | 9.31 | 237 | 22.58 |
| 9872-803 | 9.31 | 237 | 10.43 | 265 | 26.79 |
| ** 9872-803N | 10.43 | 265 | 10.43 | 265 | 28.80 |
| *** 9872-803N3 | 10.43 | 265 | 10.43 | 265 | 9.60 |
| 9872-804 | 10.43 | 265 | 11.56 | 294 | 31.00 |
| 9872-805 | 11.56 | 294 | 12.68 | 322 | 35.21 |
| 9872-806 | 12.68 | 322 | 13.81 | 351 | 39.42 |
| ** 9872-806N | 13.81 | 351 | 13.81 | 351 | 41.50 |
| *** 9872-806N3 | 13.81 | 351 | 13.81 | 351 | 13.83 |
| 9872-807 | 13.81 | 351 | 14.93 | 379 | 43.63 |
| 9872-808 | 14.93 | 379 | 16.06 | 408 | 47.84 |
| 9872-809 | 16.06 | 408 | 17.18 | 436 | 52.05 |
| ** 9872-809N | 17.18 | 436 | 17.18 | 436 | 54.10 |
| *** 9872-809N3 | 17.18 | 436 | 17.18 | 436 | 18.00 |
| 9872-810 | 17.18 | 436 | 18.31 | 465 | 56.26 |
| 9872-811 | 18.31 | 465 | 19.43 | 494 | 60.47 |
| 9872-812 | 19.43 | 494 | 20.56 | 522 | 64.68 |
| ** 9872-812N | 20.56 | 522 | 20.56 | 522 | 66.76 |
| *** 9872-812N3 | 20.56 | 522 | 20.56 | 522 | 22.25 |

*The end inverts include grate frame.
 ** 9' Long Neutral Channel
 *** 3' Long Neutral Channel

| Outlet Cap Flow Rates | | | | |
|-----------------------|---------|--------------|-----|------|
| Outlet Size | Channel | Invert Depth | GPM | CFS |
| 4" Vertical | 801 | 8.06 (205) | 154 | 0.34 |
| 4" Vertical | 812 | 20.43 (519) | 246 | 0.54 |
| 6" Vertical | 801 | 8.06 (205) | 346 | 0.77 |
| 6" Vertical | 812 | 20.43 (519) | 553 | 1.23 |
| 8" Vertical | 801 | 8.06 (205) | 616 | 1.37 |
| 8" Vertical | 812 | 20.43 (519) | 982 | 2.18 |
| 4" Horizontal | 802 | 9.18 (233) | 145 | 0.33 |
| 4" Horizontal | 812 | 20.43 (519) | 233 | 0.54 |
| 6" Horizontal | 803 | 10.31 (262) | 330 | 0.76 |
| 6" Horizontal | 812 | 20.43 (519) | 510 | 1.17 |
| 8" Horizontal | 805 | 12.56 (319) | 635 | 1.46 |
| 8" Horizontal | 812 | 20.43 (519) | 880 | 2.03 |

Dim's in () are mm.

Note: This trench drain system is designed for "on grade applications only" as there are no provisions for a flashing flange or flashing clamp.

**GRATES FOR 6", 10", AND 14"
TRENCH DRAINS**

Load Rating and Application Guidelines



Load Rating and Application Guidelines

Load Class A: Light Duty

Light Duty, EN1433 Class A - 3,500 lbs - 70 psi for pedestrian, wheelchair and bicycle traffic.



Load Class B: Light Duty

Light Duty, EN1433 Class B - 28,000 lbs - 580 psi for pedestrian, wheelchair, bicycle traffic and cars.



Load Class C: Heavy Duty

Heavy Duty, EN1433 Class C - 56,000 lbs. 1,162 psi for commercial pneumatic tire traffic patterns, forklifts, and tractor trailers.

Load Class C HS20 Load traffic - When constant cyclical traffic specify the 9931 frame.



Load Class E: Extra Heavy Duty

Extra Heavy Duty, EN1433 Class E - 135,000 lbs. - 2,788 psi - for commercial solid tire traffic patterns, forklifts, impacts from steel struts or metal wheels, and commercial aircraft.



Load Class F: Special Heavy Duty

Extra Heavy Duty, EN1433/EN 1433 Load Class F: 202,320 lbs - 4182 psi. For aircraft runways, docks, heavy fork trucks, and heavy wheel loads.



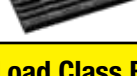
See pages 69 - 70 for appropriate grating for load class requirements.

6" Grates for 9870-400 Series

9930, 9931, 9940, 9660, 9665,
9895, 9832, 9836



Load Class A: Light Duty - 9930, 9931, 9940, 9660, 9665, 9895, 9832, 9836

Light Duty, EN1433 Class A - 3,500 lbs - 70 psi for pedestrian, wheelchair and bicycle traffic

| Grate | Material | Grate Fig. Number | Length | Weight lbs. | Open Area per Sq. In. | Load Class | ADA | Heel-Proof | Bicycle | Slip Resistance | HS20 | FAA |
|---|-----------------------------|-------------------|--------|-------------|-----------------------|------------|-----|------------|---------|-----------------|------|-----|
|  | Perforated Galvanized Steel | 9870-410-GP | 1m | 6.3 | 28.30 | A | ✓ | ✓ | ✓ | 22.6 | X | X |
|  | Perforated Galvanized Steel | 9870-410-GP | .5m | 3.2 | 14.10 | A | ✓ | ✓ | ✓ | 22.6 | X | X |
|  | Slotted Galvanized Steel | 9870-420-G | 1m | 5.9 | 35.20 | A | X | X | X | 27.4 | X | X |
|  | Slotted Galvanized Steel | 9870-420-G | .5m | 3.0 | 17.60 | A | X | X | X | 27.4 | X | X |
|  | Slotted Stainless Steel | 9870-450-SS | 1m | 5.9 | 35.20 | A | X | X | X | 29.9 | X | X |
|  | Slotted Stainless Steel | 9870-450-SS | .5m | 3.0 | 17.60 | A | X | X | X | 29.9 | X | X |
|  | Perforated Stainless Steel | 9870-451-SSPA | 1m | 6.3 | 28.30 | A | X | ✓ | ✓ | 29.6 | X | X |
|  | Perforated Stainless Steel | 9870-451-SSPA | .5m | 6.3 | 14.10 | A | X | ✓ | ✓ | 29.6 | X | X |
|  | Slotted Black Polypropylene | 9870-491-HPP | .5m | 1.8 | 17.55 | A | X | X | ✓ | — | X | X |
|  | ADA Black Polypropylene | 9870-494-PADAB | .5m | 1.8 | 27.40 | A | ✓ | ✓ | ✓ | 52.5 | X | X |



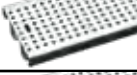


Load Class B: Light Duty - 9930, 9931, 9940, 9660, 9665, 9895, 9832, 9836

Light Duty, EN1433 Class B - 28,000 lbs - 580 psi for pedestrian, wheelchair and bicycle traffic

| | | | | | | | | | | | | |
|---|----------------------|----------------|-----|---|-------|---|---|---|---|------|---|---|
|  | Mesh Stainless Steel | 9870-447-SSADA | 1m | 8 | 93.70 | B | ✓ | ✓ | ✓ | 51.3 | X | X |
|  | Mesh Stainless Steel | 9870-447-SSADA | .5m | 4 | 46.9 | B | ✓ | ✓ | ✓ | 51.3 | X | X |

Load Class C: Heavy Duty - 9930, 9931, 9940, 9660, 9665, 9895, 9832, 9836


















Heavy Duty, EN1433 Class C - 56,000 lbs. 1,162 psi for commercial pneumatic tire traffic patterns, forklifts, and tractor trailers

| | | | | | | | | | | | | |
|---|-----------------------------|---------------|-----|------|--------|---|---|---|---|------|---|---|
|  | Mesh Galvanized Steel | 9870-405-GM | 1m | 7.8 | 121.00 | C | X | X | ✓ | 52.1 | ✓ | X |
|  | Mesh Galvanized Steel | 9870-406-GM | .5m | 3.9 | 58.00 | C | X | X | ✓ | 52.1 | ✓ | X |
|  | Perforated Galvanized Steel | 9870-411-GPHD | 1m | 11.3 | 28.30 | C | ✓ | ✓ | ✓ | 22.6 | ✓ | X |
|  | Perforated Galvanized Steel | 9870-411-GPHD | .5m | 5.7 | 14.10 | C | ✓ | ✓ | ✓ | 22.6 | ✓ | X |
|  | Slotted Galvanized Steel | 9870-425-GHD | 1m | 8.8 | 35.20 | C | X | X | X | 27.4 | ✓ | X |

QuickLok® securing device regularly furnished unless otherwise requested.

6" Grates for 9870-400 Series

9930, 9931, 9940, 9660, 9665,
9895, 9832, 9836, 9877

|  | Slotted Galvanized Steel | 9870-425-GHD | .5m | 4.4 | 17.60 | C | X | X | X | 27.4 | ✓ | X |
|---|----------------------------|------------------------|--------|-------------|-----------------------|------------|-----|------------|---------|-----------------|------|-----|
| Load Class C: Heavy Duty - 9930, 9931, 9940, 9660, 9665, 9895, 9832, 9836 Heavy Duty, EN1433 Class C - 56,000 lbs. 1,162 psi for commercial pneumatic tire traffic patterns, forklifts, and tractor trailers | | | | | | | | | | | | |
| Grate | Material | Grate Fig. Number | Length | Weight lbs. | Open Area per Sq. In. | Load Class | ADA | Heel-Proof | Bicycle | Slip Resistance | HS20 | FAA |
|  | Mesh Stainless Steel | 9870-430-SSM | 1m | 7.8 | 121.00 | C | X | X | ✓ | 41.3 | ✓ | X |
|  | Mesh Stainless Steel | 9870-430-SSM | .5m | 3.9 | 58.00 | C | X | X | ✓ | 41.3 | ✓ | X |
|  | Slotted Stainless Steel | 9870-455-SSHD | 1m | 8.8 | 35.20 | C | X | X | X | 29.9 | ✓ | X |
|  | Slotted Stainless Steel | 9870-455-SSHD | .5m | 4.4 | 17.60 | C | X | X | X | 29.9 | ✓ | X |
|  | Slotted Ductile Iron | 9870-462-DGC | .5m | 10.2 | 34.10 | *C | X | X | X | 31.1 | ✓ | ✓ |
|  | Perforated Stainless Steel | 9870-465-SSP | 1m | 11.3 | 28.30 | C | ✓ | ✓ | ✓ | 29.6 | ✓ | X |
|  | Perforated Stainless Steel | 9870-465-SSP | .5m | 5.7 | 14.10 | C | ✓ | ✓ | ✓ | 29.6 | ✓ | X |
|  | Mosaic Ductile Iron | 9870-479-MD | .5m | 10 | 13.00 | C | X | X | ✓ | 24.6 | ✓ | X |
|  | Decorative Ductile Iron | 9870-481-ID | .5m | 9 | 19.00 | C | X | X | ✓ | 38.8 | ✓ | X |
|  | ADA Ductile Iron | 9870-487-MADC | .5m | 12.8 | 22.50 | *C | ✓ | ✓ | ✓ | 25.8 | ✓ | ✓ |
|  | Slotted Plastic Resin | 9870-492-RC | .5m | 2.2 | 35.60 | C | X | X | X | 86.4 | ✓ | X |
|  | Brickslot Galvanized Steel | **9835-Brickslot Grate | 1m | 18.4 | 18.60 | C | ✓ | X | ✓ | N/A | ✓ | X |
| Load Class E: Extra Heavy Duty - 9930, 9931, 9940, 9660, 9665, 9877, 9895, 9832, 9836 Extra Heavy Duty, EN1433 Class E - 135,000 lbs. - 2,788 psi for commercial solid tire traffic patterns, forklifts and impacts from steel struts or metal wheels | | | | | | | | | | | | |
| Grate | Material | Grate Fig. Number | Length | Weight lbs. | Open Area per Sq. In. | Load Class | ADA | Heel-Proof | Bicycle | Slip Resistance | HS20 | FAA |
|  | Slotted Galvanized Steel | 9870-435-GHDE | 1m | 13.7 | 35.20 | E | X | X | X | 27.4 | ✓ | ✓ |
|  | Slotted Galvanized Steel | 9870-435-GHDE | .5m | 6.8 | 17.60 | E | X | X | X | 27.4 | ✓ | ✓ |
|  | Slotted Ductile Iron | 9870-461-M | .5m | 10.2 | 34.10 | *C | X | X | X | 31.1 | ✓ | ✓ |
|  | ADA Ductile Iron | 9870-478-ADA | .5m | 12.8 | 22.50 | *C | ✓ | ✓ | ✓ | 25.8 | ✓ | ✓ |

**9835 for use with the 9930 and 9895 channels only

*For load class F use PowerLok® device (-PL) (9877 system only)

10" Grates for the 9880-600 Series



9898, 9896

|  | Slotted Stainless Steel | 9870-490-SSHDE | 1m | 13.7 | 35.20 | E | X | X | X | 29.9 | ✓ | ✓ |
|--|-----------------------------|-------------------|--------|-------------|-----------------------|------------|-----|------------|---------|-----------------|------|-----|
|  | Slotted Stainless Steel | 9870-490-SSHDE | .5m | 6.80 | 17.60 | E | X | X | X | 29.9 | ✓ | ✓ |
| Load Class A: Light Duty - 9898, 9896 | | | | | | | | | | | | |
| Light Duty, EN1433 Class A - 3,500 lbs - 70 psi for pedestrian, wheelchair and bicycle traffic | | | | | | | | | | | | |
| Grate | Material | Grate Fig. Number | Length | Weight lbs. | Open Area per Sq. In. | Load Class | ADA | Heel-Proof | Bicycle | Slip Resistance | HS20 | FAA |
|  | Slotted Bar Stainless Steel | 9880-647-SSADA | 1m | 17.7 | 171 | A | ✓ | ✓ | ✓ | 51.3 | X | X |
|  | Slotted Bar Stainless Steel | 9880-647-SSADA | .5m | 9 | 89.1 | A | ✓ | ✓ | ✓ | 51.3 | X | X |
| Load Class C: Heavy Duty - 9898, 9896 | | | | | | | | | | | | |
| Heavy Duty, EN1433 Class C - 56,000 lbs. 1,162 psi for commercial pneumatic tire traffic patterns, forklifts, and tractor trailers | | | | | | | | | | | | |
|  | Slotted Galvanized Steel | 9880-605-GM | 1m | 31.7 | 256 | C | X | X | ✓ | 52.1 | ✓ | X |
|  | Slotted Galvanized Steel | 9880-605-GM | .5m | 16.1 | 128 | C | X | X | ✓ | 52.1 | ✓ | X |
|  | Perforated Galvanized Steel | 9880-611-GPHD | 1m | 21 | 44.6 | C | ✓ | ✓ | ✓ | 22.6 | ✓ | X |
|  | Perforated Galvanized Steel | 9880-613-GPHD | .5m | 10.5 | 22.3 | C | ✓ | ✓ | ✓ | 22.6 | ✓ | X |
|  | Mesh Stainless Steel | 9880-630-SSM | 1m | 31.7 | 256 | C | X | X | ✓ | 41.3 | ✓ | X |
|  | Mesh Stainless Steel | 9880-631-SSM | .5m | 16.1 | 128 | C | X | X | ✓ | 41.3 | ✓ | X |
|  | Perforated Stainless Steel | 9880-665-SSP | 1m | 21 | 44.6 | C | ✓ | ✓ | ✓ | 29.6 | ✓ | X |
|  | Perforated Stainless Steel | 9880-666-SSP | .5m | 10.5 | 22.3 | C | ✓ | ✓ | ✓ | 29.6 | ✓ | X |
|  | Mosaic Ductile Iron | 9880-679-MD | .5m | 34 | 38.3 | C | ✓ | ✓ | ✓ | 24.6 | ✓ | X |

QuickLok® securing device regularly furnished unless otherwise requested.



10" Grates for the 9880-600 Series 9878, 9806, 9898, 9896

| | | | | | | | | | | | | |
|---|-------------------------|-------------|-----|----|------|---|---|---|---|------|---|---|
|  | Wave Ductile Iron | 9880-680-IW | .5m | 28 | 58.1 | C | ✓ | ✓ | ✓ | 26.6 | ✓ | X |
|  | Decorative Ductile Iron | 9880-681-ID | .5m | 27 | 29.1 | C | ✓ | ✓ | ✓ | 38.8 | ✓ | X |

Load Class E: Extra Heavy Duty - 9878, 9806, 9898, 9896

Extra Heavy Duty, EN1433 Class E - 135,000 lbs. - 2,788 psi for commercial solid tire traffic patterns, forklifts and impacts from steel struts or metal wheels



| Grate | Material | Grate Fig. Number | Length | Weight lbs. | Open Area per Sq. In. | Load Class | ADA | Heel-Proof | Bicycle | Slip Resistance | HS20 | FAA |
|-------|----------|-------------------|--------|-------------|-----------------------|------------|-----|------------|---------|-----------------|------|-----|
|-------|----------|-------------------|--------|-------------|-----------------------|------------|-----|------------|---------|-----------------|------|-----|

*For load class F use the PowerLok® device (-PL) (9806 & 9878 systems only)
QuickLok® securing device regularly furnished unless otherwise requested.

10" Grates for the 9890-800 Series 9812


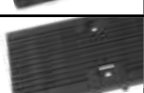
Load Class C: Heavy Duty - 9812

Heavy Duty, EN1433 Class C - 56,000 lbs. 1,162 psi for commercial pneumatic tire traffic patterns, forklifts, and tractor trailers

| Grate | Material | Grate Fig. Number | Length | Weight lbs. | Open Area per Sq. In. | Load Class | ADA | Heel-Proof | Bicycle | Slip Resistance | HS20 | FAA |
|---|----------------------|-------------------|--------|-------------|-----------------------|------------|-----|------------|---------|-----------------|------|-----|
|  | Bar Galvanized Steel | 9812-G | 1m | 35.2 | 263.50 | C | X | X | ✓ | 54.3 | ✓ | X |
|  | Bar Stainless Steel | 9812-SS | 1m | 35.2 | 263.50 | C | X | X | ✓ | 61 | ✓ | X |
















Load Class E: Extra Heavy Duty - 9812

Extra Heavy Duty, EN1433 Class E - 135,000 lbs. - 2,788 psi for commercial solid tire traffic patterns, forklifts and impacts from steel struts or metal wheels

| | | | | | | | | | | | | |
|---|--------------------------|-----------|-----|------|-------|---|---|---|---|------|---|---|
|  | Slotted Ductile Iron | 9812-M | .5m | 25.2 | 61.25 | E | X | X | X | 29 | ✓ | X |
|  | ADA Slotted Ductile Iron | 9812-MADA | .5m | 28.2 | 42.00 | E | ✓ | ✓ | ✓ | 31.9 | ✓ | X |

14" Grates for the 9890-800 Series

9807, 9899, 9879, 9897

|  | Slotted Ductile Iron | 9880-661-M | .5m | 30.8 | 81.9 | *E | X | X | ✓ | 59.9 | ✓ | X |
|---|-----------------------------|-------------------|--------|-------------|-----------------------|------------|-----|------------|---------|-----------------|------|-----|
|  | Wave Ductile Iron | 9880-678-MADA | .5m | 22 | 60.6 | *E | ✓ | ✓ | ✓ | 25.8 | ✓ | X |
| Load Class A: Light Duty - 9897, 9899 | | | | | | | | | | | | |
| Light Duty, EN1433 Class A - 3,500 lbs - 70 psi for pedestrian, wheelchair and bicycle traffic | | | | | | | | | | | | |
| Grate | Material | Grate Fig. Number | Length | Weight lbs. | Open Area per Sq. In. | Load Class | ADA | Heel-Proof | Bicycle | Slip Resistance | HS20 | FAA |
|  | Mesh Stainless Steel | 9890-847-SSADA | 1m | 28.6 | 238.2 | A | ✓ | ✓ | ✓ | 51.3 | X | X |
|  | Mesh Stainless Steel | 9890-847-SSADA | .5m | 14.5 | 131.6 | A | ✓ | ✓ | ✓ | 51.3 | X | X |
| Load Class C: Heavy Duty - 9897, 9899 | | | | | | | | | | | | |
| Heavy Duty, EN1433 Class C - 56,000 lbs. 1,162 psi for commercial pneumatic tire traffic patterns, forklifts, and tractor trailers | | | | | | | | | | | | |
|  | Mesh Galvanized Steel | 9890-805-GM | 1m | 29.5 | 192 | C | X | X | ✓ | 52.1 | ✓ | X |
|  | Perforated Galvanized Steel | 9890-811-GP | 1m | 30.9 | 64.8 | C | ✓ | ✓ | ✓ | 22.6 | ✓ | X |
|  | Perforated Galvanized Steel | 9890-813-GP | .5m | 15 | 31.9 | C | ✓ | ✓ | ✓ | 22.6 | ✓ | X |
|  | Mesh Stainless Steel | 9890-830-SSM | .5m | 29.5 | 192 | C | X | X | ✓ | 41.3 | ✓ | X |
|  | Perforated Stainless Steel | 9890-865-SSP | 1m | 30.9 | 64.8 | C | ✓ | ✓ | ✓ | 29.6 | ✓ | X |
|  | Perforated Stainless Steel | 9890-866-SSP | .5m | 15 | 31.9 | C | ✓ | ✓ | ✓ | 29.6 | ✓ | X |
|  | Mosaic Ductile Iron | 9890-879-MD | .5m | 47.3 | 46.97 | C | ✓ | ✓ | ✓ | 24.6 | ✓ | X |
|  | Wave Ductile Iron | 9890-880-IW | .5m | 48 | 77.77 | C | ✓ | ✓ | ✓ | 26.6 | ✓ | X |
|  | Decorative Ductile Iron | 9890-881-ID | .5m | 47 | 54.6 | C | ✓ | ✓ | ✓ | 38.8 | ✓ | X |
| Load Class E: Extra Heavy Duty - 9807, 9879, 9897 | | | | | | | | | | | | |
| Extra Heavy Duty, EN1433 Class E - 135,000 lbs. - 2,788 psi for commercial solid tire traffic patterns, forklifts and impacts from steel struts or metal wheels | | | | | | | | | | | | |
|  | Slotted Ductile Iron | 9890-878-MADA | .5m | 35 | 61.85 | *E | ✓ | ✓ | ✓ | 25.8 | ✓ | X |
|  | Slotted Ductile Iron | 9890-861-M | .5m | 48 | 128.71 | *E | X | X | ✓ | 50.8 | ✓ | X |

*For load class F use the PowerLok® device (-PL) (9879 system only)
QuickLok® securing device regularly furnished unless otherwise requested.

TECHNICAL DATA

Trench Drain System Selection



Polypropylene
Trench Drains



Stainless Steel
Trench Drains



Polymer Concrete
Trench Drains



Fiberglass
Trench Drains

FOLLOW THESE 10 STEPS TO PROPERLY SELECT YOUR DRAINAGE SYSTEM.



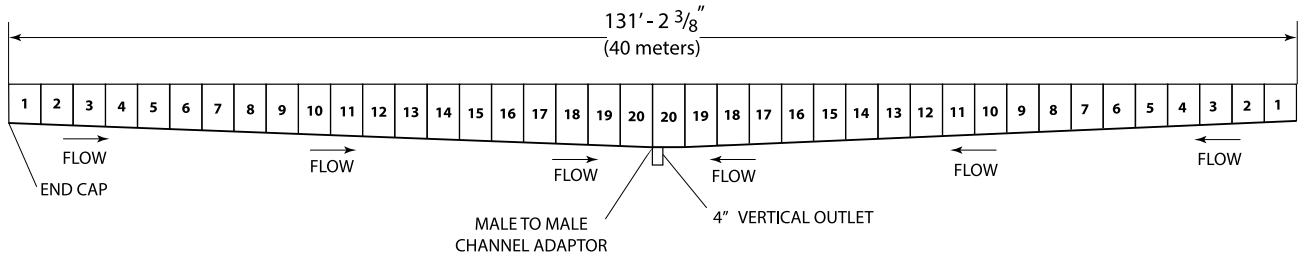
To select the proper drainage system:

1. Identify the anticipated traffic traveling over the top of the trench drain.
2. Calculate the length and depth of the catchment area.
3. Consider site restrictions, utilities, invert depth of required output.
4. Identify rainfall intensity over the given area. Identify the outlet position, source and flow rate of the liquid to be drained.
5. Determine runoff surface flow characteristics.
6. Calculate required flow rate per section of drainage channel and its distribution (i.e., evenly or unevenly distributed).
7. Select the system with the appropriate capacity for the conditions identified.
8. Determine the number, size and positions of outlets to the drainage system.
9. Determine the concentration of the chemicals to which the system may be exposed. See the Chemical Resistance Chart on our website at www.jrsmith.com.
10. Select appropriate load class grate and flow rate from illustrations on page 72.

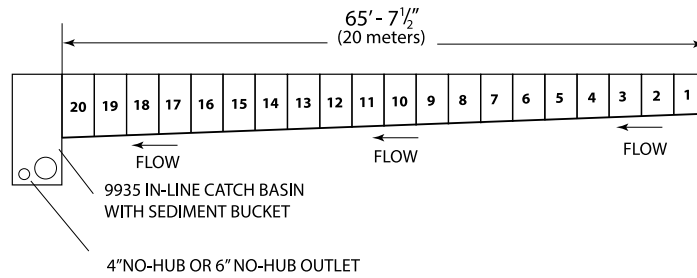


Contact local Jay R. Smith Mfg. Co. manufacturer's rep or Jay R. Smith Mfg. Co. Trench Drain Team. Shop Drawings are available on request.

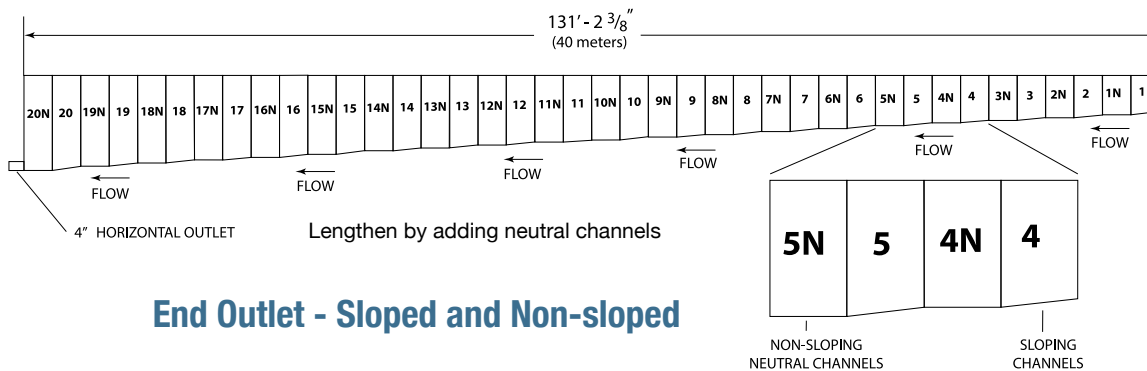
Trench Drain System Configuration



Center Outlet - Sloped



End Outlet with Catch Basin - Sloped



End Outlet - Sloped and Non-sloped

- Channels can be both pre-sloped and neutral.
- Always begin installation with the discharge channel or catch basin and work back to the shallow end.
- Arrows on channels indicate flow direction and numbers indicate sequence of installation.
- Channels and catch basins require a minimum of 4" of concrete or slab thickness, which ever is greater, around and under channel system.
- If field trimming is necessary, always trim channels at shallow end of system.
- Insert board must be maintained in the channel during the final pour.
- Trench drain should be installed 1/8" below finished elevation. This allows for positive flow into channel.
- See structural drawings for reinforcement of encasement concrete and the location of expansion joints.

Manufacturing Divisions

WATER CONTROLS



DRAINAGE



PLUMBING FIXTURES & ACCESS



Whitehall Manufacturing

FIRE PROTECTION



MANUFACTURING SUPPORT



Sales & Distribution



UNITED KINGDOM



ELMCO + ASSOC.



SILVER STATE



STEWART



MORRIS/LEE, LTD.
CANADA



DUBAI
UNITED ARAB
EMIRATES



MORRIS INDUSTRIES
MEXICO



SWORDS

SPM0747
4/22



JAY R. SMITH MFG. CO.®

STREET ADDRESS
2781 GUNTER PARK DR. E.
MONTGOMERY, AL 36109

MAILING ADDRESS
P.O. BOX 3237
MONTGOMERY, AL 36109

PHONE: (334) 277-8520
E-MAIL: SALES@JRSMITH.COM

 **WARNING:** Cancer and Reproductive Harm - www.P65Warnings.ca.gov