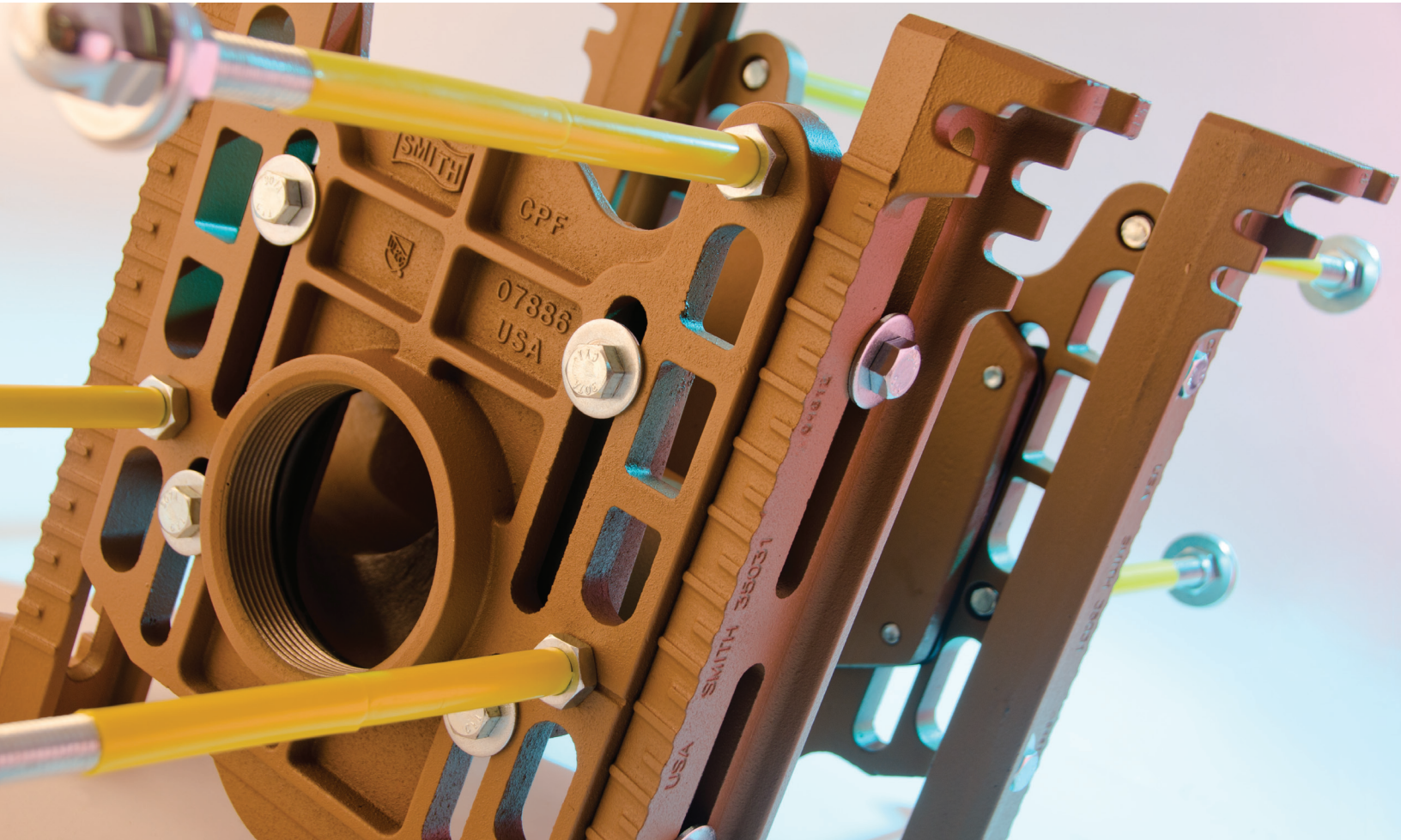




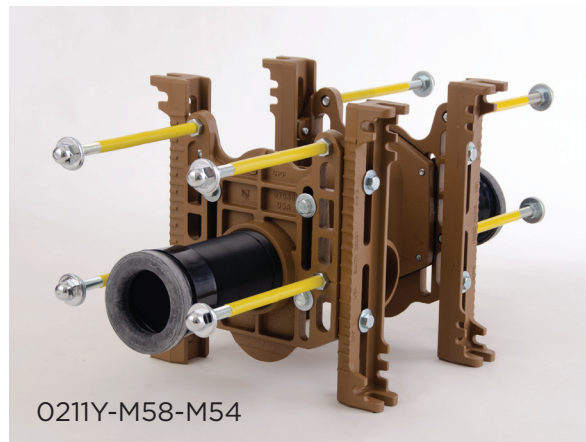
JAY R. SMITH MFG. CO.
Member of Morris Group International

SINCE 1926



The Quarterback Water Closet Support

The Quarterback Water Closet Support from Jay R. Smith Mfg. Co. is designed for a better fit in less chase area. Newly designed legs provide easy access to the securing bolts of the faceplate allowing for height adjustment even with adjacent wall framing. The legs also have four additional securing slots which can accommodate accessories to aid in installation, especially for pre-fabrication.



0211Y-M58-M54

The Quarterback Water Closet Support

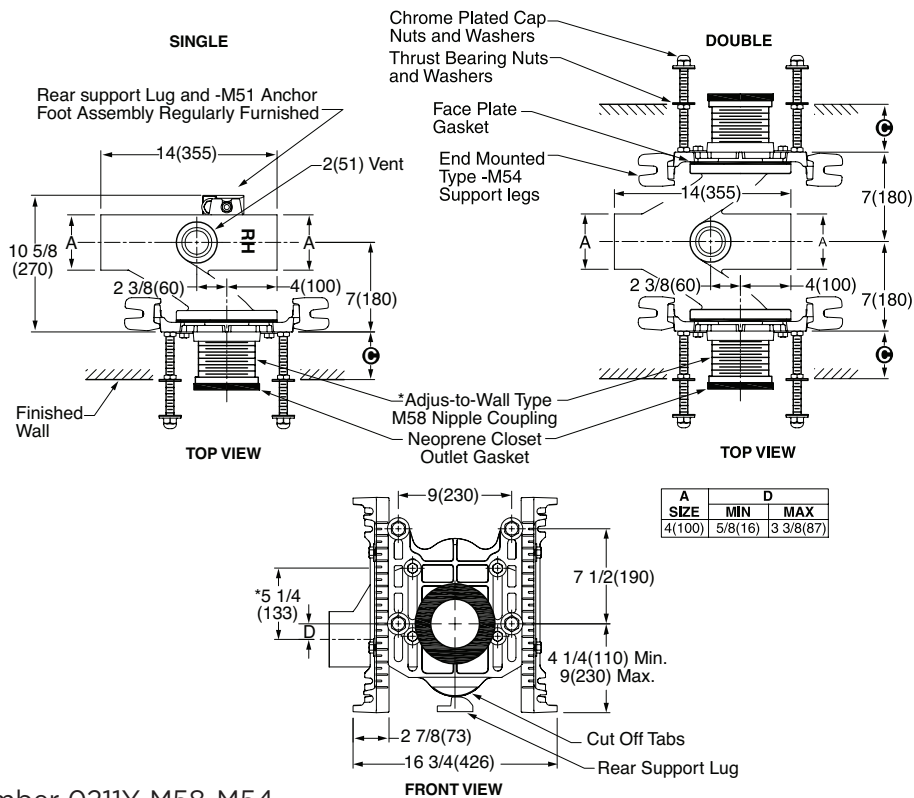


Figure Number O211Y-M58-M54

Features and Benefits:	
Adjustable in tight spaces:	Leg design provides easy front access to the faceplate's securing bolts, allowing easy height adjustments even with adjacent wall framing.
Additional securing slots:	Four securing slots per leg allow for the securing of attachments and accessories. This provides versatility in the pre-fabrication of water closet batteries.
Shallow chase requirements:	An offset in the faceplate moves the legs back, providing a rough in depth that is 3/4 inch shallower for singles and 1-1/2" for doubles.
New vent placement:	Vent placement 2 3/8" from centerline of waste outlet eliminates interference with the water supply to the flush valve.
Better Fit:	Redesigned legs provide better fit against the angle iron often used for prefabrication.

Visit www.jrsmith.com to see our product offering and other resources.

SMITH® JAY R. SMITH MFG. CO.®
 Member of Morris Group International
 Plumbing and Drainage Products
 P.O. Box 3237 • Montgomery, AL 36109-0237
 Tel 800-467-6484 • 334-277-8520

