



# JAY R. SMITH MFG. CO.

Since 1926



## HYDRANTS

WALL • GROUND • YARD • ROOF



MORRIS GROUP  
INTERNATIONAL  
[www.morrisgroup.co](http://www.morrisgroup.co)



Fig. #5509QT

## PROFESSIONAL GRADE HYDRANTS FOR COMMERCIAL AND LIGHT COMMERCIAL CONSTRUCTION

For more than eight decades, Jay R. Smith Mfg. Co. has been focused on offering hydrants that help with job site demands, engineering specifications, and code requirements. Due to the differences in construction applications, the type of wall or ground hydrant that is specified and installed, and that performs up to standard can vary greatly by building type. This is why Smith manufactures and distributes hydrants that are suitable for all building applications to include tilt-up construction projects, commercial buildings and professional office buildings.

From our 5509QT-R round cored hole hydrant to the 5904 non-freeze sanitary post/yard hydrant, Jay R. Smith Mfg. Co. has the right wall, post, or ground hydrant to meet most all building requirements.

For more information about our Family of Hydrants to include specifications, submittals, product details and parts list, visit [www.jrsmith.com](http://www.jrsmith.com). Our web site has the latest news about hydrants and other Smith products.

**Your Hydrant Source:**  
[www.jrsmith.com](http://www.jrsmith.com)



## COMMERCIAL HYDRANTS

### Commercial Boxed Wall Hydrants

Cored Hole Hydrant and Stainless Steel Box (5509QT-R) .....	1
Quarter-Turn Wall Hydrant and Stainless Steel Box (5509QT) .....	2
Narrow Wall, Mild Climate Hydrant and Stainless Steel Box (5518) .....	3
Guardian Dual Check® Hydrant and Stainless Steel Box (5519, 5515) .....	4
Twin-Temp Hydrant (5560QT) .....	5
Mild Climate, Anti-Siphon Sillcock and Stainless Steel Box (5572, 5573) .....	6



### Commercial Exposed Wall Hydrants

Quarter-Turn Wall Hydrant (5609QT) .....	7
Narrow Wall, Mild Climate Hydrant (5618) .....	8
Guardian Dual Check® Hydrant (5619, 5615) .....	9
Twin-Temp Hydrant (5660QT, 5661QT) .....	10



### Commercial Boxed Ground Hydrants

Boxed Ground Hydrants 3/4" and 1" Connection (5810, 5811, 5810F, 5811F) .....	11
Flush Box Hydrant with Vacuum Breaker (5830, 5831) .....	12
Boxed Ground Hydrant 1-1/4", 1-1/2", 2" Connection (5812, 5813, 5814) .....	13
Heavy Duty Box Ground Hydrant (5950, 5951) .....	14



### Commercial Post and Yard Hydrants

Non-Freeze Sanitary Post/Yard Hydrant (5904) .....	15
Post Hydrant, 3/4" Connection (5909) .....	16
Post Hydrants, 3/4" and 1" Connection (5910, 5911) .....	17
Post Hydrants, 1-1/4", 1-1/2" and 2" Connection (5912, 5913, 5914) .....	18
Compression-Type Non-Freeze Post Hydrant (5960, 5961) .....	19
Compression-Type Self-Closing Post Hydrant (5965, 5966) .....	20
Compression-Type Post Hydrant (5963) .....	21
Compression-Type Self-Closing Post Hydrant (5964) .....	22



### Commercial Roof Hydrants

Non-Freeze Roof Hydrant (5903, 5906, 5907) .....	23
--	----



### Wall and Standpipe Hose Valves and Light Commercial Hydrants

Hose Valves (5670) .....	24-25
Freezeless Sillcock (5630) .....	26
Mild Climate, Anti-Siphon Sillcock (5672, 5673) .....	27

Product Cross Reference .....	28-29
-------------------------------	-------

CSI MasterFormat Guide Specification for Hydrants .....	30-32
---	-------



# Commercial Boxed Wall Hydrants

6" STAINLESS STEEL DIAMETER CORED HOLE BOX TYPE QUARTER TURN NON-FREEZE WALL HYDRANT WITH CONCEALED HOSE CONNECTION



## FIG. # 5509QT-R

Cored Hole Hydrant and Stainless Steel Box

### FUNCTION:

This round box hydrant is designed to fit into a 6" hole drilled into a concrete wall with a 6" diameter core drill. The stainless steel recessed hydrant box conceals the nozzle and operating mechanism of the 5609QT hydrant making for a clean and simple installation. The stainless steel box comes complete with a vertical hinge to avoid pinched fingers caused by standard horizontal latch type covers. The hinged locking cover opens 180° for clear hydrant access and prevents unauthorized use.

### PRODUCT FEATURES:

- Quarter-turn full-flow feature
- 3/4" (19) inlet and hose connection
- Removable "T" handle key
- Non-freeze hydrant with integral vacuum breaker
- Fits 6" dia. cored drill hole
- Flush installation to eliminate catch points
- Frame, cover & housing are made of 16 gauge, type 304 stainless steel
- Locking hinged cover opens 180°
- Simple & easy to install in cored drill concrete wall
- Complies with ASSE 1019B, 1052 and (Fig. 5517) ONLY
- Replacement parts are available in kit HPRK-7 or HPRK-7VB (for vacuum breaker)

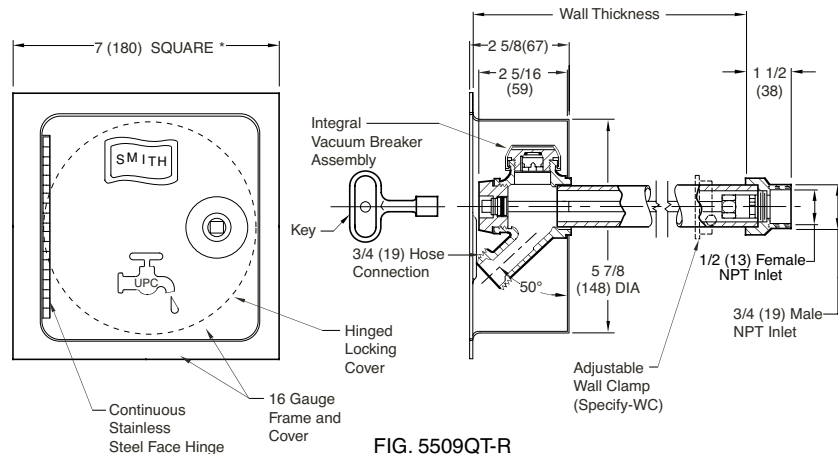


FIG. 5509QT-R

NOTE: Dimensions shown in parentheses are in millimeters.

### Regularly Furnished:

Bronze Nickel Plated Quarter Turn Non-Freeze Hydrant with Hose Connection, Integral Vacuum Breaker, "T" Handle Key, and Stainless Steel Box with Full 180° Cover Opening

### Variations:

- Adjustable Wall Clamp -WC
- Cylinder Lock -CL
- 1" (25) Hose Connection -HC1
- 1" (25) Male NTP Inlet Connection -IC1
- "Water" On Cover -W

# Commercial Boxed Wall Hydrants



**STAINLESS STEEL BOX TYPE  
QUARTER TURN NON-FREEZE  
WALL HYDRANT WITH CONCEALED  
HOSE CONNECTION AND INTEGRAL  
VACUUM BREAKER**



**FIG. # 5509QT**

Quarter-Turn Wall Hydrant and Stainless Steel Box

**FUNCTION:**

This non-freeze hydrant with integral vacuum breaker has a quarter-turn feature that allows for a full flow of water with 1/4 turn of the key. Hydrant provides positive non-freeze protection when water is required at the outside of the building. The stainless steel recessed box conceals the nozzle and operating mechanism. The locking cover prevents unauthorized use.

**SPECIFICATIONS:**

- Complies with ASME A112.21.3M

**PRODUCT FEATURES:**

- Quarter-turn full-flow feature
- 3/4" (19) inlet and hose connection
- Removable "T" handle key
- Flush installation to eliminate catch points
- 16 gauge steel frame cover & 20 gauge housing, type 304 stainless
- Locking hinged cover opens 180°
- Non-freeze hydrant with integral vacuum breaker
- Commercial and light commercial construction applications
- Replacement parts are available in kit HPRK - 7

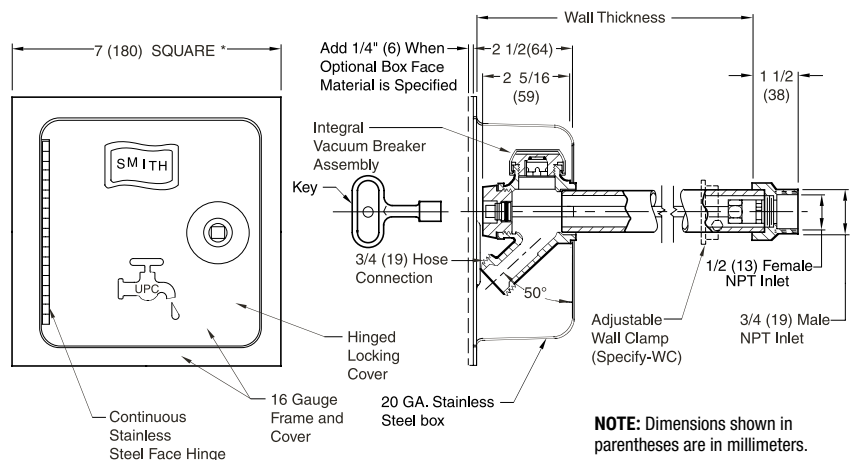


FIG. 5509QT

**NOTE:** Dimensions shown in parentheses are in millimeters.

**PATENT No. US 4,844,116.**

**Regularly Furnished:**

Bronze Quarter Turn Non-Freeze Hydrant with Hose Connection, Integral Vacuum Breaker, "T" Handle Key, and Stainless Steel Box with Full 180° Cover Opening.

**Variations:**

- Adjustable Wall Clamp -WC
- Cylinder Lock -CL
- 1" (25) Hose Connection -HC1
- 1" (25) Male NPT Inlet Connection -IC1
- "Water" On Cover -W

**Optional Materials:**

- Nickel Bronze Box Face -NB
- Polished Bronze Box Face -PB
- Rough Bronze Box Face -RB
- Chrome Plated Box Face -CP



# Commercial Boxed Wall Hydrants

EXPOSED 3/4" (19) HOSE CONNECTION WITH INTEGRAL ASSE 1011 VACUUM BREAKER & 360° SWIVEL INLET CONNECTION AND STAINLESS STEEL BOX



## FIG. # 5518, 5518 (-R)

Narrow Wall, Mild Climate Hydrant and Stainless Steel Box

### FUNCTION:

For installation in interior or exterior walls of building where a concealed hose connection is desired and there is no danger of freezing. Hydrant features an integral type vacuum breaker. The locking cover prevents unauthorized use.

### PRODUCT FEATURES

- Self draining, mild climate hydrant
- Narrow wall applications
- Bronze hydrant with chrome face
- 3/4" (19) hose connection
- 3/4" (19) x 1" (25) inlet connection
- Integral vacuum breaker, complies with ASSE 1011
- 16 gauge steel frame cover & 20 gauge housing, type 304 stainless
- Bronze hydrant with stainless steel face
- Drop down locking hinged cover opens 180° to allow access without damaging cover
- For interior & exterior commercial construction applications
- Replacement parts are available in HPRK-18

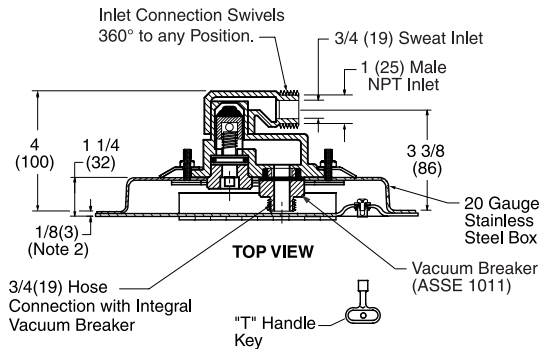
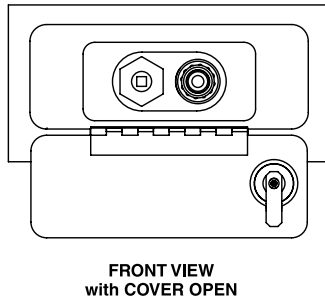


FIG. 5518

### Regularly Furnished:

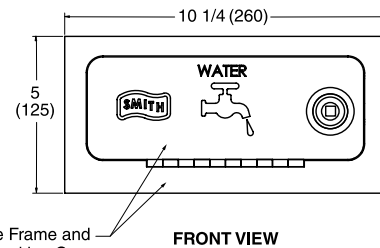
All Bronze Warm Climate Hydrant with Hose Connection having Integral ASSE 1011 Vacuum Breaker, 360° Swivel Inlet Connection, "T" Handle Key, and Stainless Steel Box.

### Variations:

- Cylinder Lock -CL
- Cored Hole Box -R

### Optional Materials:

- Nickel Bronze Box Face -NB
- Polished Bronze Box Face -PB
- Rough Bronze Box Face -RB
- Chrome Plated Box Face -CP



**NOTE:** Dimensions shown in parentheses are in millimeters.

Specify 5518 (-R) for the hydrant in the cored hole box.

# Commercial Boxed Wall Hydrants



## GUARDIAN DUAL CHECK® HYDRANT WITH DUAL CHECK VALVE (AND INTEGRAL STOP WATER SERVICE SHUT-OFF VALVE #5515)



### FIG. # 5519/ 5515

Guardian Dual Check® Hydrant (Integral Stop Water Service Shut-off Valve #5515) and Non-freeze Protection

#### SPECIFICATIONS:

Fig. 5515 certified to ASSE 1019B, 1052 & 1053  
Fig. 5519 certified to ASSE 1019B & 1052

#### PRODUCT FEATURES:

- Service shut-off valve enables the water supply to be shut-off at the hydrant, allowing for easy maintenance. (5515)
- Quarter-turn full-flow feature
- 3/4" (19) inlet and hose connection
- Flush installation to eliminate catch points
- 16 gauge steel frame cover & 20 gauge housing, type 304 stainless
- Bronze hydrant with stainless steel face
- Drop down locking hinged cover opens 180° to allow access without damaging cover
- Self draining non-freeze hydrant with dual check valve & integral vacuum breaker
- Commercial construction applications
- Replacement parts are available in kit HPRK - 19 and HPRK-19VB.

Specify 5517 for the 5619 model hydrant in the cored hole box.

#### FUNCTION:

The Guardian Dual Check Hydrant is ASSE 1052 Certified. It has a quarter-turn feature that allows for a full flow of water with a quarter turn of the ergonomically designed wheel handle or "T" handle key. The hydrant features an integral vacuum breaker and dual check valve (water service shut-off valve #5515) that provide positive non-freeze protection where water is required at the outside of the building. The stainless steel recessed box conceals the nozzle and operating mechanism. The locking cover prevents unauthorized use.

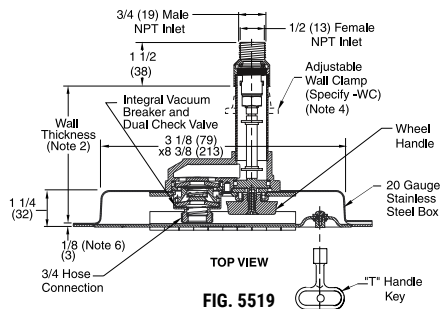


FIG. 5519

**NOTE:** Dimensions shown in parentheses are in millimeters.

#### Regularly Furnished:

Bronze Quarter Turn Non-Freeze Automatic Draining Hydrant with Stainless Steel Face, Hose Connection, Integral Vacuum Breaker, Integral Service Shut-Off Valve # 5515 only), Dual Check Valve, "T" Handle Key, and Stainless Steel Box with Full 180° Cover Opening.

#### Variations:

- Adjustable Wall Clamp -WC
- 1" (25) Hose Connection -HC1
- 1" (25) Male NTP Inlet Connection -IC1
- Mild Climate -SAP
- Cylinder Lock -CL
- Wheel Handle -WH

#### Optional Materials:

- Nickel Bronze Box Face -NB
- Polished Bronze Box Face -PB
- Rough Bronze Box Face -RB
- Chrome Plated Box Face -CP

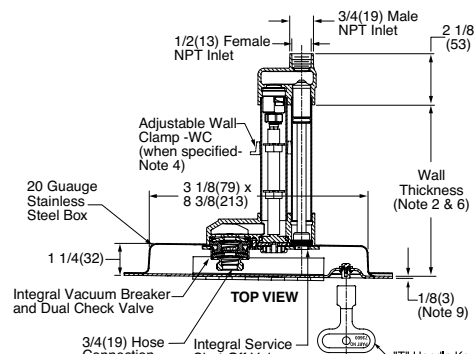
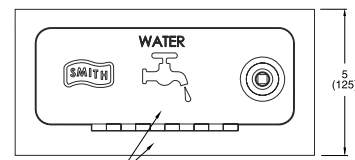
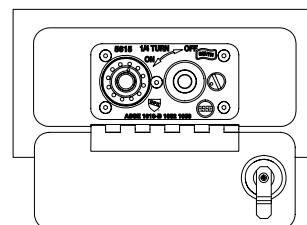


FIG. 5515



FRONT VIEW

16 Gauge Frame and Hinged Locking Cover. (Cover opens full 180°)  
Patent No. US 6,752,167





# Commercial Boxed Wall Hydrants

**BRONZE BOX TYPE "TWIN-TEMP"  
NON-FREEZE WALL HYDRANT FOR  
HOT AND COLD WATER**



## FIG. # 5560QT 5560QT (SAP-H-WH)

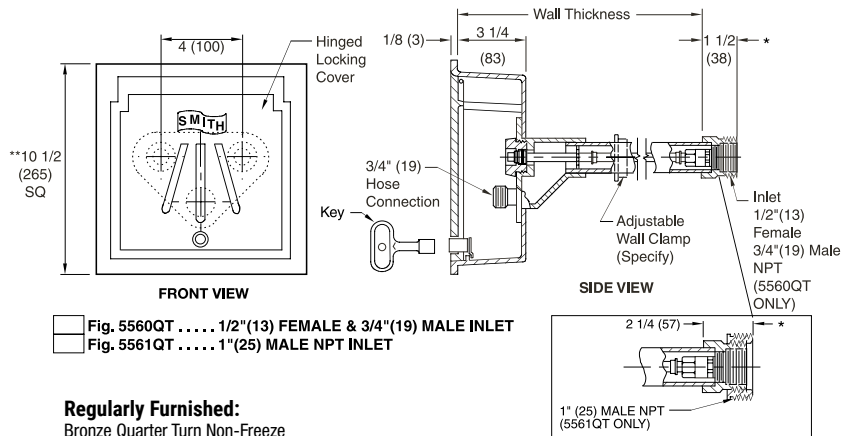
Twin-Temp Hydrant  
(5560QT-PB Shown)

### FUNCTION:

Provides positive non-freeze protection where water is required at the outside of the building. Ideal for use in food handling areas, dairies and other places where both hot and cold water are desired. The recessed box conceals the hose connection and operating mechanisms. A 1/4 turn of the key allows full flow to be obtained. The locking cover prevents unauthorized use.

### PRODUCT FEATURES:

- Quarter-turn full-flow feature
- 3/4" (19) inlet and hose connection
- Removable "T" handle key
- Recessed installation to eliminate catch points
- Bronze hydrant and box with chrome plated face
- Ideal for use in food handling areas, dairies or other applications that require hot and cold water.
- Replacement parts are available in kit HPRK - 7.



### Regularly Furnished:

Bronze Quarter Turn Non-Freeze "Twin-Temp" Hydrant with Hose Connection, "T" Handle Key, and Bronze Box with Chrome Plated Face, and Inlet Size Furnished as Indicated by Figure Number Selected.

### Variations:

- Adjustable Wall Clamp -WC
- 1" (25) Hose Connection -HC1
- 3/4" (19) Vacuum Breaker -H
- Cylinder Lock -CL
- "Water" Cast on Cover -W

**NOTE:** Dimensions shown in parentheses are in millimeters.

### Optional Materials:

- Nickel Bronze Box -NB
- Polished Bronze Box -PB
- Rough Bronze Box -RB



# Commercial Boxed Wall Hydrants



## MILD CLIMATE, ANTI-SIPHON SILLCOCK AND STAINLESS STEEL BOX



### FIG. # 5572, 5573, 5572 (-BFP), 5573 (-BFP)

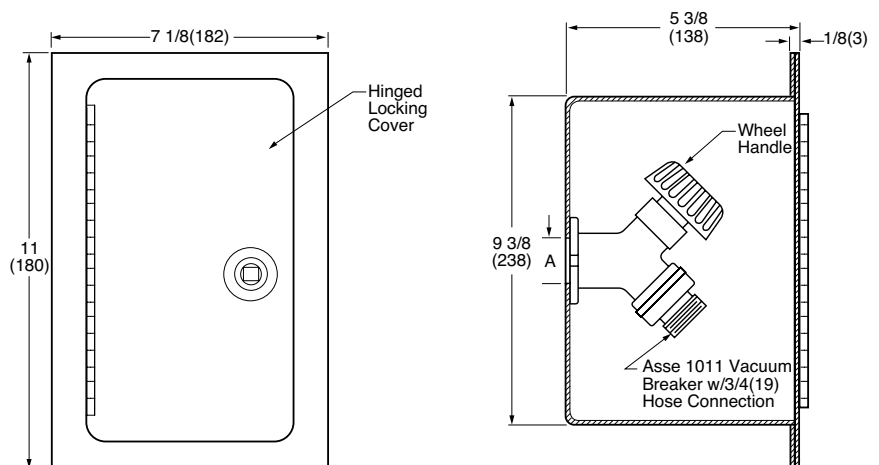
Mild Climate, Anti-Siphon Sillcock and Stainless Steel Box

#### FUNCTION:

Concealed anti-siphon wall faucet for mild climate installations. Complete with external vacuum breaker, rough brass or chrome finish, black handle, brass casing, bronze interior parts, and 3/4" (19) male hose connection. Loose key provided with each sillcock.

#### PRODUCT FEATURES:

- Used in mild climate areas on homes, service stations, churches, motels, and fast food restaurants and in garden, lawn, and other water systems
- Flush installation to eliminate catch points
- Stainless steel box with full 180° cover opening
- 16 gauge steel frame cover and 20 gauge housing, type 304 stainless
- A vacuum breaker, backflow protected wall sillcock
- Vacuum breaker complies with ASSE Standard 1011
- IAPMO Listed, File No. 3856
- Loose key furnished with each sillcock
- Specify Fig. # 5572 (-BFP), 5573 (-BFP) for ASSE 1052 Dual Check Valve
- Locking cover prevents unauthorized use



A (Inlet Size) = 1/2(13) or 3/4(19)

Fig. 5572 ..... 1/2"(13) Female NPT Inlet  
 Fig. 5573 ..... 3/4"(19) Female NPT Inlet

**Regularly Furnished:**  
 Hose Valve has a Rough Finish Brass Body, Removable Wheel Handle, "T" Handle Key, NPT Female Threaded Inlet Size Indicated by Figure Number Selected, ASSE 1011 Vacuum Breaker with 3/4" (19) Hose Connection and Stainless Steel Box with Full 180° Cover Opening.

**NOTE:** Dimensions shown in parentheses are in millimeters.

- Variations:**
- Dual Check Valve -BFP





# Commercial Exposed Wall Hydrants

## QUARTER TURN NON-FREEZE WALL HYDRANT WITH VACUUM BREAKER EXPOSED HOSE CONNECTION



### FIG. # 5609QT

Quarter-Turn Wall Hydrant

#### FUNCTION:

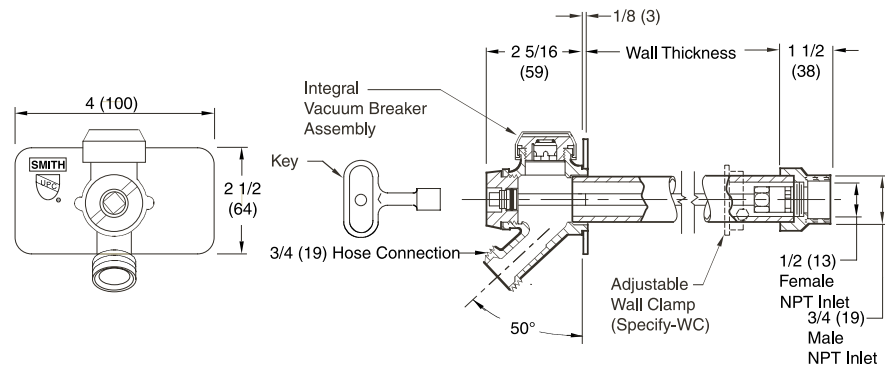
This non-freeze hydrant has a quarter-turn feature that allows for a full flow of water with a 1/4 turn of the key. Hydrant provides positive non-freeze protection where water is required at the outside of the building and features an integral vacuum breaker. The hydrant can be installed on an interior wall and is adaptable to all types of wall construction.

#### SPECIFICATIONS:

- Complies with ASME A112.21.3M

#### PRODUCT FEATURES:

- Quarter-turn full-flow feature
- 3/4" (19) inlet and hose connection
- Removable "T" handle key
- Flush installation with backer plate
- Bronze nickel plated hydrant
- Mild climate, non-freeze hydrant with integral vacuum breaker and vandal resistant cap
- Commercial and light commercial construction applications
- Replacement parts are available in kit HPRK - 7 and HPRK -7VB (for Vacuum Breaker)



FRONT VIEW

FIG. 5609QT

SIDE VIEW

#### Regularly Furnished:

Bronze Nickel Plated Quarter Turn Non-Freeze Hydrant with 3/4" (19) Hose Connection, Backer Plate, Integral Vacuum Breaker with Vandal Resistant Cap and "T" Handle Key.

#### Variations:

- 1 - Adjustable Wall Clamp -WC
- 1" (25) Hose Connection -HC1
- 1" (25) Male NPT Inlet Connection -IC1
- Wheel Handle -WH

NOTE: Dimensions shown in parentheses are in millimeters.

#### Optional Materials:

- Chrome Plated -CP
- Chrome Plated Backer Plate -BPCP
- Polished Bronze -PB
- Polished Bronze Backer Plate -BPPB

PATENT No. US 4,844,116.

# Commercial Exposed Wall Hydrants



**EXPOSED 3/4" (19) HOSE CONNECTION WITH INTEGRAL ASSE 1011 VACUUM BREAKER & 360° SWIVEL INLET CONNECTION**



## FIG. # 5618

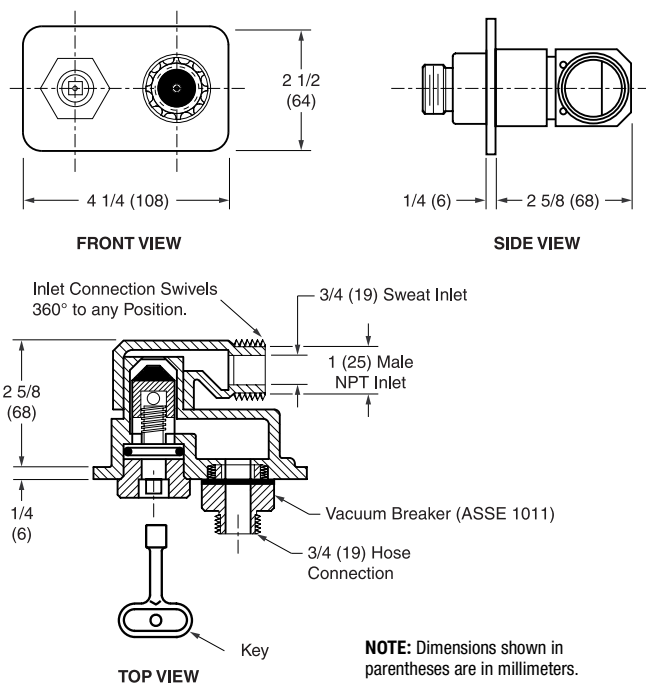
Narrow Wall, Mild Climate Hydrant

### FUNCTION:

For installation in interior or exterior walls of building where an exposed hose connection is acceptable and there is no danger of freezing. Hydrant features an integral type vacuum breaker. Removable key prevents unauthorized use.

### PRODUCT FEATURES

- Self draining, mild climate hydrant
- Narrow wall applications
- Bronze hydrant with chrome face
- 3/4" (19) hose connection
- 3/4" (19) x 1" (25) inlet connection
- Integral vacuum breaker, complies with ASSE 1011
- Exposed hose connection
- Removable "T" handle key
- For interior & exterior commercial construction applications



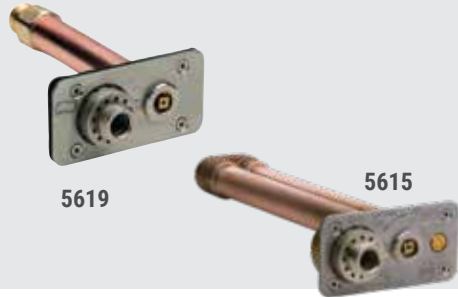
### Regularly Furnished:

All Bronze Warm Climate Hydrant with Chrome Plated Face, Hose Connection and Integral ASSE 1011 Vacuum Breaker, 360° Swivel Inlet Connection, and "T" Handle Key.



# Commercial Exposed Wall Hydrants

**GUARDIAN DUAL CHECK®  
HYDRANT WITH DUAL CHECK VALVE,  
(INTEGRAL STOP WATER SERVICE  
SHUT-OFF VALVE #5615) AND EXPOSED  
HOSE CONNECTION**



## FIG. # 5619/5615

Guardian Dual Check® Hydrant  
(Integral Stop Water Service Shut-off  
Valve #5615)

### SPECIFICATIONS:

Fig. 5615 certified to  
ASSE 1019B, 1052 & 1053

Fig. 5619 certified to  
ASSE 1019B & 1052

### PRODUCT FEATURES:

- (Service shut-off valve enables the water supply to be shut-off at the hydrant, allowing for easy maintenance. 5615)
- Quarter-turn full-flow feature
- 3/4" (19) inlet and hose connection
- Removable "T" handle key or ergonomically designed wheel handle
- Flush installation to eliminate catch points
- Bronze hydrant with stainless steel face
- Self draining non-freeze hydrant with dual check valve & integral vacuum breaker
- For interior or exterior commercial construction applications
- Replacement parts are available in kit HPRK -19 or HPRK 19VB (for Vacuum Breaker).

### FUNCTION:

The Guardian Dual Check Hydrant is ASSE 1052 certified. It has a quarter-turn feature that allows for a full flow of water with a quarter-turn of the removable "T" handle key or the optional ergonomically designed wheel handle. The hydrant features an integral vacuum breaker, (water service shut-off valve #5615) and dual check valve. The hydrant provides positive non-freeze protection. It can be used anywhere an exposed connection is acceptable. The Guardian is adaptable to all types of wall construction.

**NOTE:** Dimensions shown in parentheses are in millimeters.

### Regularly Furnished:

Bronze Quarter Turn Non-Freeze Automatic Draining Hydrant with Stainless Steel Face, Hose Connection, Backer Plate, Integral Vacuum Breaker, (Integral Service Shut-Off Valve # 5615), and Dual Check Valve and "T" Handle Key.

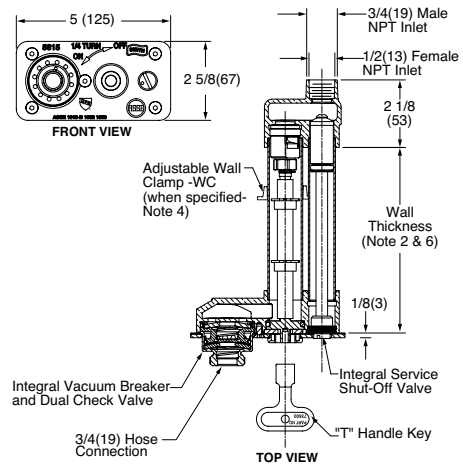
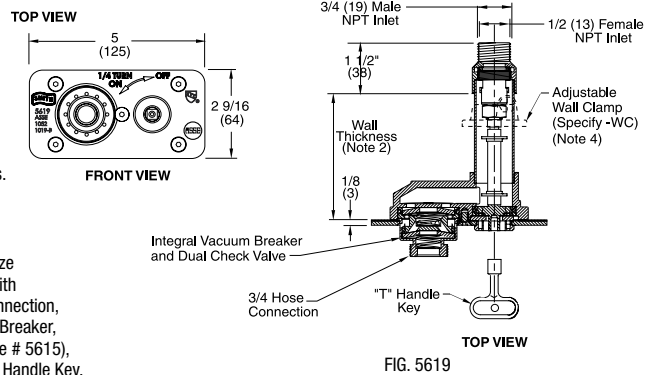
### Variations:

- 1 - Adjustable Wall Clamp -WC
- 1" (25) Hose Connection -HC1
- 1" (25) Male NPT Inlet Connection -IC1
- Mild Climate -SAP
- Wheel Handle -WH

### Optional Materials:

- Polished Bronze Face -PB
- Chrome Plated Face -CP

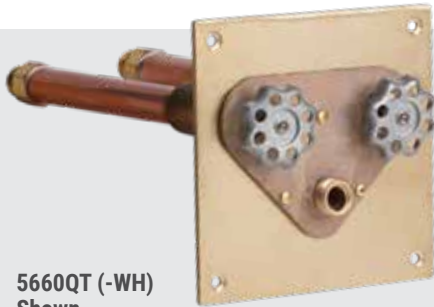
Patent No. US 6,752,167



# Commercial Exposed Wall Hydrants



EXPOSED 1/4 TURN "TWIN-TEMP"  
NON-FREEZE WALL HYDRANT FOR  
HOT AND COLD WATER



5660QT (-WH)  
Shown



**FIG. # 5660QT,  
5661QT (-H-WH),  
5661QT (SAP-H-WH),**  
Twin-Temp Hydrant

**FUNCTION:**

Provides positive non-freeze protection where water is required at the outside of the building. Ideal for use in food handling areas, dairies and other places where both hot and cold water are desired. A 1/4 turn of the key allows full flow to be obtained.

**PRODUCT FEATURES:**

- Quarter-turn full-flow feature
- 3/4" (19) inlet and hose connection
- Removable "T" handle key
- Ideal for use in food handling areas, dairies or other applications that require hot and cold water.
- Replacement parts are available in kit HPRK - 7.

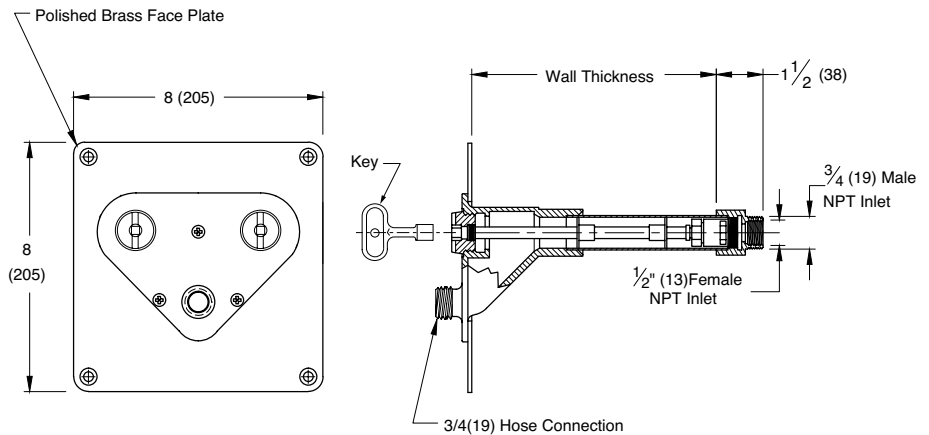


Fig. 5660QT ..... 1/2"(13) FEMALE & 3/4"(19) MALE INLET  
Fig. 5661QT ..... 1"(25) MALE INLET

**Regularly Furnished:**

Bronze Quarter Turn Non-Freeze "Twin-Temp" Hydrant with 3/4"(19) Hose Connection, "T" Handle Key. Inlet Size Furnished as Indicated by Figure Number Selected.

**Variations:**

- Adjustable Wall Clamp -WC
- Wheel Handle -WH
- Vacuum Breaker Self Draining Type -H
- Mild Climate -SAP

**NOTE:** Dimensions shown in parentheses are in millimeters.

**NOTE:** All Jay R. Smith Mfg. Co. hydrants are manufactured with "NO-LEAD" brazing rings and USDA approved lubricants.

**Optional Materials:**

- Nickel Bronze Face -NB
- Rough Bronze Face -RB



# Commercial Boxed Ground Hydrants

**BOX TYPE NON-FREEZE  
GROUND HYDRANT WITH  
3/4" (19) or 1" (25) INLET  
CONNECTION**



5810F

## FIG. # 5810, 5810F AND 5811, 5811F

Boxed Ground Hydrant

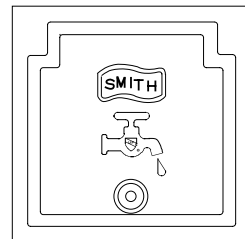
### FUNCTION:

This non-freeze, concealed hydrant has a hinged covered box with locking device. Hydrant provides protection against freezing when buried, outside or in an unheated area, and the closing valve is located below the frost line. When hydrant is shut off, water is drained from the casing through the drain hole in the valve housing. The hydrant is available with a 3/4" (19) or 1" (25) inlet connection. The locking cover prevents unauthorized use.

### PRODUCT FEATURES:

- 3/4" (19) or 1" (25) inlet connection and 3/4" (19) hose connection
- Removable "T" handle key
- Bronze hydrant and box
- Commercial and light commercial construction applications
- Replacement parts are available in kit HPRK-41.

Specify 5810F or 5811F for the integral cast flashing flange to receive and secure the waterproofing membrane.



FRONT VIEW

Fig. 5810... 3/4"(19) INLET  
Fig. 5811... 1"(25) INLET

### Regularly Furnished:

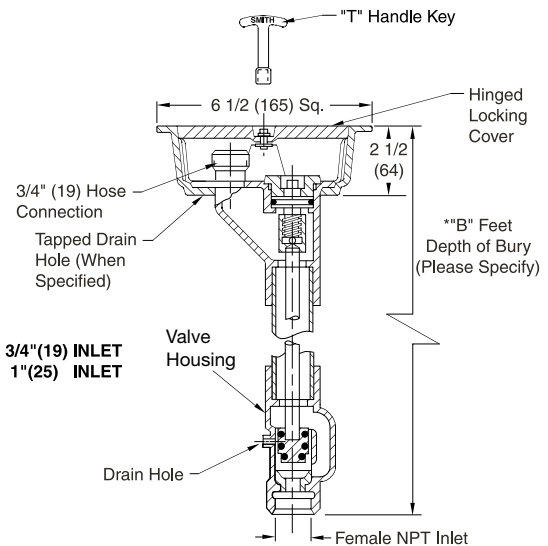
Bronze Quarter Turn Non-Freeze Automatic Draining Hydrant with Stainless Steel Face, Hose Connection, Backer Plate, Integral Vacuum Breaker and Dual Check Valve and "T" Handle Key.

### Variations:

- 1 - Adjustable Wall Clamp -WC
- 1" (25) Hose Connection -HC1
- 1" (25) Male NPT Inlet Connection -IC1
- Mild Climate -SAP (Note 6)
- Wheel Handle -WH
- Less Drain Hole -LD
- 1/8" NPT Drain Hole in Box -N
- 1/8" NPT Drain Hole in Valve Housing -NV

### Optional Materials:

- Polished Bronze Face -PB
- Chrome Plated Face -CP



**NOTE:** Dimensions shown in parentheses are in millimeters.

**NOTE:** Addition of a vacuum breaker will not allow draining of the casing. Smith is not responsible for any casings that burst or related incidents if the hydrant is supplied with a vacuum breaker.

# Commercial Boxed Ground Hydrants



**FLUSH BOX HYDRANT WITH HOSE CONNECTION: 3/4" (19) OR 1" (25) AND INLET CONNECTION: 3/4" (19) OR 1" (25) MALE N.P.T.**



## Fig. # 5830, 5831

Flush Box Hydrant  
Locking Street Washer

### FUNCTION:

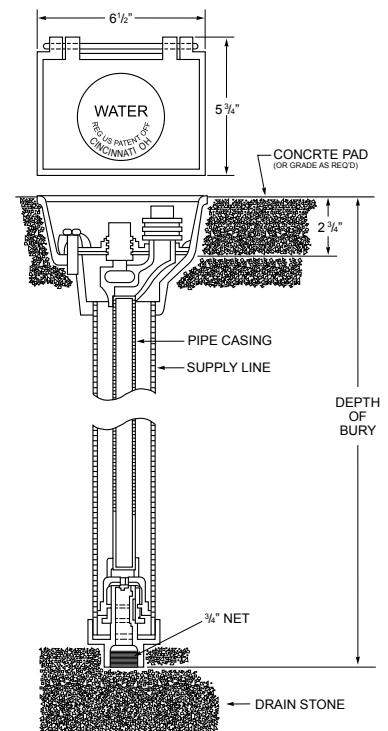
These hydrants are an outstanding example of Smith quality in a grade level, flush-fitting box hydrant. The flush box hydrant and many other in the Smith family are ideal for a year-round source of water for commercial, industrial, recreational, and residential installations. These units feature the two-pipe design for long-term use and ease of maintenance. They feature flush-type, freeze resistant hose outlets designed to prevent vandalism and waste of water. The operating key works both the operation of the hydrant and the locking lid. The hydrant box and lid are made of durable cast iron.

### PRODUCT FEATURES:

- Freeze resistant – yields year-round service
- Long life, time proven valve assembly
- Valve, stirrup and hose outlet are of solid brass castings
- Lead-free castings are used in all waterways
- Non-rotating valve
- Sturdy two-pipe construction
- Little or no maintenance required
- Removal of a single bolt permits complete disassembly of all working parts
- Made of high grade brass, gray iron castings, and steel pipe.

### Installing a Smith Hydrant

(also referred to as a street washer or lawn box)



#### Is a concrete pad required?

Not necessarily. Flush Boxes can be installed in a pad, sod, or paver stones!

Always check local codes for specific installation requirements including proper depth-of-bury.

\* BE SURE TO CHECK SOIL TYPE TO DETERMINE PROPER DRAINAGE REQUIREMENTS.



# Commercial Boxed Ground Hydrants

**BOX TYPE NON-FREEZE GROUND HYDRANT WITH 1-1/4" (32), 1-1/2" (38) or 2" (51) INLET AND HOSE CONNECTION**



**FIG. # 5812, 5813 AND 5814**

Boxed Ground Hydrant

**FUNCTION:**

This non-freeze, concealed hydrant has a hinged covered box with locking device. Hydrant offers positive protection against freezing when buried, outside or in an unheated area, and the closing valve is located below the frost line. When hydrant is shut off, water is drained from the casing through the drain hole in the valve housing. The hydrant is available with a 1-1/4" (32), 1-1/2" (38) or 2" (51) inlet connection. The locking cover prevents unauthorized use.

**PRODUCT FEATURES:**

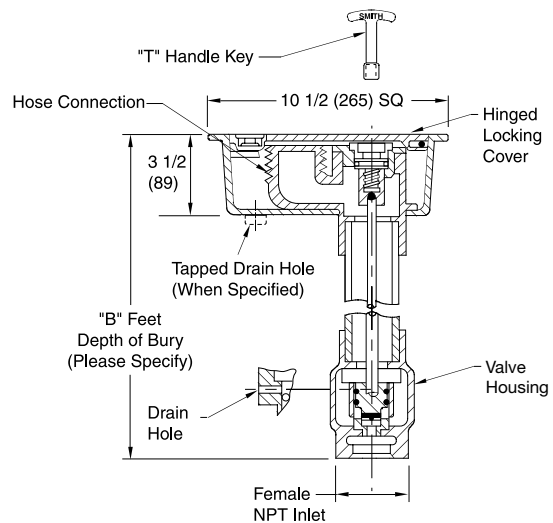
- 1-1/4" (32), 1-1/2" (38) or 2" (51) inlet and hose connection
- Loose fit "T" handle key
- Bronze hydrant and cast iron box
- Commercial and light commercial construction applications
- Replacement parts are available in kit HPRK - 5.



**Regularly Furnished:**  
Bronze Non-Freeze Ground Hydrant with "T" Handle Key and Cast Iron Hydrant Box. Inlet and Hose Connection Size Furnished as Indicated by Figure Number Selected.

- Variations:**
- 1/8" (3) NPT Drain Hole in Box -N
  - 1/8" (3) NPT Drain Hole in Valve Housing -NV
  - "Water" Cast on Cover -W

- Optional Materials:**
- Nickel Bronze Box -NB
  - Polished Bronze Box -PB
  - Rough Bronze Box -RB



**NOTE:** Dimensions shown in parentheses are in millimeters.

**Inlet and Hose Connections:**

- Fig. 5812.....1 1/4" (32)
- Fig. 5813.....1 1/2" (38)
- Fig. 5814.....2" (51)



# Commercial Boxed Ground Hydrants



**BOX TYPE NON-FREEZE POST HYDRANT WITH 3/4" (19) OR 1" (25) INLET AND HEAVY DUTY COVER**



**FIG. # 5950 AND 5951**

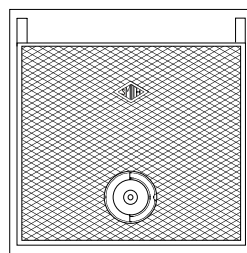
Heavy Duty Box Ground Hydrant

## FUNCTION:

Concealed hydrant with heavy duty hinged cover, and box, particularly suitable for traffic areas which require a flush with ground non-freeze hydrant. Ideal for parking decks, outside exhibition areas, etc. The closing valve is located below the frost line. When hydrant is shut off water is drained from the casing through the drain hole in the valve housing.

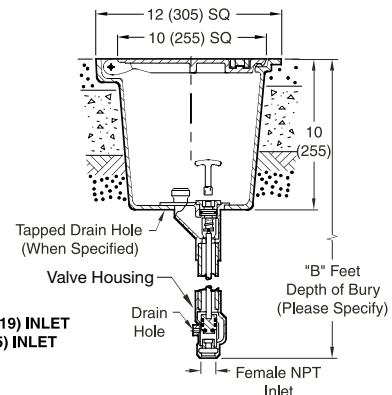
## PRODUCT FEATURES:

- 3/4" (19) or 1" (25) inlet and hose connection
- Loose fit "T" handle key
- Bronze hydrant and casing with cast iron box, heavy duty cover and lifting device
- Commercial and light commercial construction applications
- Ideal for parking decks, outside exhibition areas, etc.
- Replacement parts are available in kit HPRK-41.



TOP VIEW

Fig. 5950 ... 3/4" (19) INLET  
Fig. 5951 ... 1" (25) INLET



**Regularly Furnished:**  
Bronze Hydrant with Bronze Casing.  
"T" Handle Key and Cast Iron Hydrant Box with Heavy Duty Cover and Lifting Device.

- Variations:**
- 1" (25) Hose Connection Adapter -HC1
  - 1/8" (3) NPT Drain Hole in Box -N
  - 1/8" (3) NPT Drain Hole in Valve Housing -NV
  - "Water" Cast on Cover -W

- Optional Materials:**
- Nickel Bronze Top -NB
  - Polished Bronze Top -PB
  - Rough Bronze Top -RB

**NOTE:** Dimensions shown in parentheses are in millimeters.

**NOTE:** All Jay R. Smith Mfg. Co. hydrants are manufactured with "NO-LEAD" brazing rings and USDA approved lubricants.

**NOTE:** Addition of a vacuum breaker will not allow draining of the casing. Smith is not responsible for any casings that burst or related incidents if the hydrant is supplied with a vacuum breaker.



# Commercial Post/Yard Hydrants

NON-FREEZE SANITARY POST HYDRANT WITH 3/4" (19) HOSE CONNECTION AND INLET CONNECTION.



**FIG. # 5904**

Non-Freeze Sanitary Post/Yard Hydrant

**SPECIFICATIONS:**

- Complies with ASSE 1057

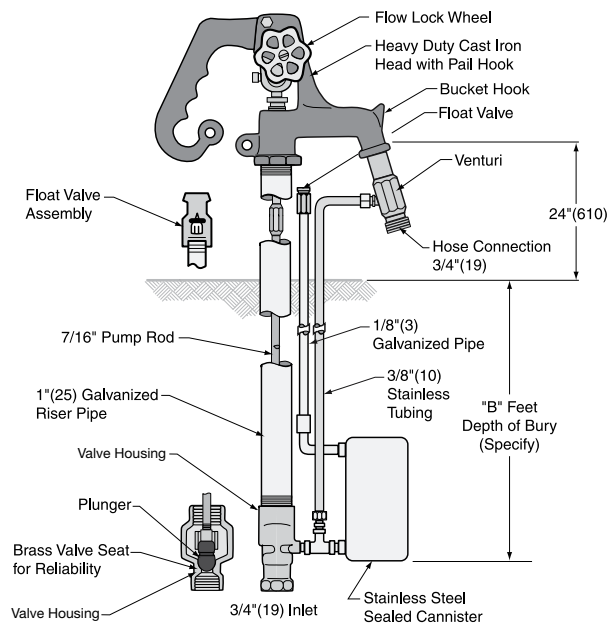
**PRODUCT FEATURES:**

- Canister prevents water in the casing from draining into the surrounding gavel/soil
- 3/4" (19) inlet and hose connection with Venturi adaptor
- Adjustable flow wheel lock handle
- Galvanized casing and stainless steel underground canister
- Meets "Sanitary" requirements for Health Departments and Plumbing Codes
- Field Testable
- Can be maintained without evacuation
- Hydrant is provided with a Bucket Handle Hook above the nozzle for ease of bucket filling
- Replacement parts are available in kit HPRK -9.



**FUNCTION:**

Used where an above ground water outlet is required in areas which are subject to freezing temperatures and where water is not allowed to drain from the casing into the ground. Freezing is prevented by burying the valve housing and cannister below the frost line and draining water from the casing after shut-off into the sealed canister. The hydrant is engineered to be fully self contained and easily serviced in the field.



**Regularly Furnished:**  
Non-Freeze Post Hydrant with Galvanized Casing, Adjustable Flow Wheel Lock Handle, Stainless Steel Underground Cannister and Nozzle with Venturi Adapter.

**NOTE:** Dimensions shown in parentheses are in millimeters.

**Variations:**  
• Vacuum Breaker -H

# Commercial Post/Yard Hydrants



NON-FREEZE POST HYDRANT WITH 3/4" (19) HOSE CONNECTION AND 3/4" (19) OR 1" (25) INLET CONNECTION.



**FIG. # 5909, 5909-MF-1**

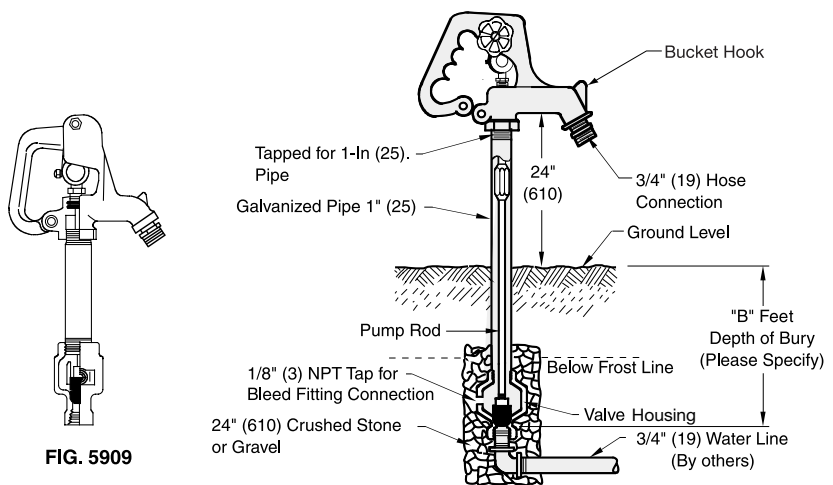
Post Hydrant

**FUNCTION:**

Used where an above ground water outlet is required in areas which are subject to freezing temperatures. Freezing is prevented by burying the valve housing below the frost line and draining water from the casing after shut-off. The hydrant is available with a 3/4" (19) or 1" (25) inlet and hose connection.

**PRODUCT FEATURES:**

- 3/4" (19) or 1" (25) inlet and hose connection
- Adjustable flow wheel lock handle
- Galvanized casing
- Hydrant is provided with a Bucket Handle Hook above the nozzle for ease of bucket filling
- Replacement parts are available in kit HPRK -9.



**FIG. 5909**

**Regularly Furnished:**  
Non-Freeze Post Hydrant with Galvanized Casing and Adjustable Flow Wheel Lock Handle. Inlet and Hose Connection Size Furnished as Indicated by Figure Number Selected.

**Variations:**  
• Vacuum Breaker -H

**NOTE:** Dimensions shown in parentheses are in millimeters.

**Inlet and Hose Connections:**  
• Fig. 5909.....3/4" (19)  
• Fig. 5909-MF-1.....1" (25)



# Commercial Post/Yard Hydrants

NON-FREEZE POST HYDRANT WITH 3/4" (19) HOSE CONNECTION AND 3/4"(19) OR 1" (25) INLET CONNECTION.



## FIG. # 5910 AND 5911

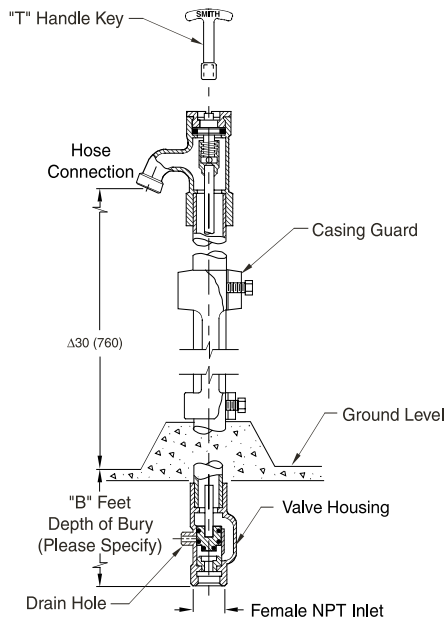
Post Hydrant

### FUNCTION:

Used where an above ground water outlet is required in areas which are subject to freezing temperatures. Freezing is prevented by burying the valve housing below the frost line and draining water from the casing after shut-off. The hydrant is available with a 3/4" (19) or 1" (25) inlet and hose connection.

### PRODUCT FEATURES:

- 3/4" (19) or 1" (25) inlet and hose connection
- Loose fit "T" handle key
- Bronze hydrant and cast iron casing guard
- Commercial and light commercial construction applications
- Replacement parts are available in kit HPRK-41.



**NOTE:** Dimensions shown in parentheses are in millimeters.

**NOTE:** All Jay R. Smith Mfg. Co. hydrants are manufactured with "NO-LEAD" brazing rings and USDA approved lubricants.

**NOTE:** Addition of a vacuum breaker will not allow draining of the casing. Smith is not responsible for any casings that burst or related incidents if the hydrant is supplied with a vacuum breaker.

### Regularly Furnished:

Bronze Non-Freeze Post Hydrant with Cast Iron Casing Guard, and "T" Handle Key. Inlet and Hose Connection Size Furnished as Indicated by Figure Number Selected.

### Variations:

- 1" (25) Hose Connection Adapter -HC1
- 1/8" (3) NPT Drain Hole -NV
- Secured Wheel Handle -WH
- 3/4" (19) Vacuum Breaker -H (Fig. 5910 Only)

### Optional Materials:

- Aluminum Casing Guard -AG

### Inlet and Hose Connections:

- Fig. 5910.....3/4" (19)
- Fig. 5911.....1" (25)

# Commercial Post/Yard Hydrants



NON-FREEZE POST HYDRANT  
WITH 1-1/4" (32), 1-1/2" (38)  
OR 2" (51) INLET AND HOSE  
CONNECTION



## FIG. # 5912, 5913, AND 5914

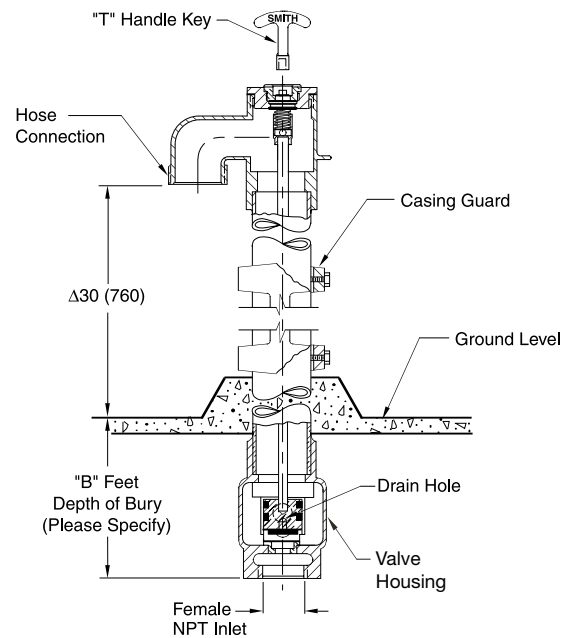
Post Hydrant

### FUNCTION:

Used where an above ground water outlet is required in areas which are subject to freezing temperatures. Freezing is prevented by burying the valve housing below the frost line and draining water from the casing after shut-off. The hydrant is available with a 1-1/4"(32), 1-1/2" (38) or 2" (51) inlet and hose connection.

### PRODUCT FEATURES:

- 1-1/4" (32), 1-1/2" (38) or 2" (51) inlet and hose connection
- Loose fit "T" handle key
- Bronze hydrant and cast iron casting guard
- Commercial and light commercial construction applications
- Replacement parts are available in kit HPRK -5.



### Regularly Furnished:

Bronze Non-Freeze Post Hydrant with Cast Iron Casing Guard, and "T" Handle Key. Inlet and Hose Connection Size Furnished as Indicated by Figure Number Selected.

### Variations:

- 1/8" (3) NPT Drain Hole -NV
- Secured Wheel Handle -WH

### Optional Materials:

- Aluminum Casing Guard -AG

**NOTE:** Dimensions shown in parentheses are in millimeters.

**NOTE:** All Jay R. Smith Mfg. Co. hydrants are manufactured with "NO-LEAD" brazing rings and USDA approved lubricants.

### Inlet and Hose Connections:

- Fig. 5912.....1 1/4" (32)
- Fig. 5913.....1 1/2" (38)
- Fig. 5914.....2" (51)



# Commercial Post/Yard Hydrants

## COMPRESSION-TYPE POST HYDRANTS WITH 3/4" (19) OR 1" (25) CONNECTIONS



### FIG. # 5960, 5961

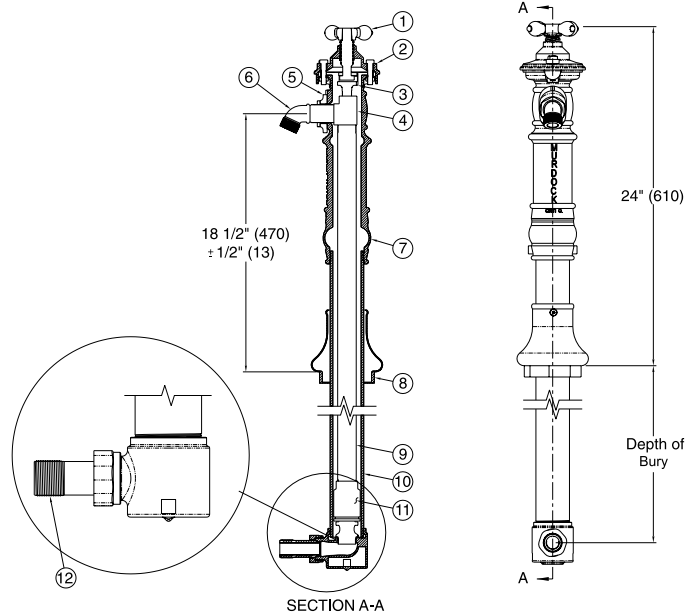
Compression-Type Non-Freeze Post Hydrant with Wheel Handle

#### FUNCTION:

Fig. 5960 or 5961 delivers year-round service outside or in unheated buildings. To provide freeze resistant functionality, the control valve is located below the frost line. Turning the handle raises or lowers the internal supply-line assembly, controlling the valve. Hydrant must be operated fully "on." Constructed of heavy red brass, premium-quality gray iron and steel, Fig. 5960 or 5961 is designed for trouble-free reliability and easy maintenance.

#### PRODUCT FEATURES:

- 3/4" (19) or 1" (25) bottom connection (available with N.P.T. tapping to connect to draw line).
- Constructed of heavy-duty red brass, quality gray iron and steel
- Freeze resistant
- Specify -BFH for Ball Check Valve and Vacuum Breaker
- Ideal for year-round service such as in parks, picnic areas, farms, or unheated buildings



- ① Handle & screw
- ② Top
- ③ Stirrup
- ④ Tee
- ⑤ Slide
- ⑥ 3/4" (19) or 1" (25) Hose Thread Brass Nozzle
- ⑦ Stock
- ⑧ Base
- ⑨ Inner Supply Pipe
- ⑩ Outer Casing
- ⑪ Valve
- ⑫ 3/4" (19) or 1" (25) Male NPT Brass Connection

**NOTE:** Dimensions shown in parentheses are in millimeters.

# Commercial Post/Yard Hydrants



## COMPRESSION-TYPE POST HYDRANTS WITH 3/4" (19) OR 1" (25) CONNECTIONS



**Fig. # 5965, 5966**

Compression-Type Self-Closing Post Hydrant with Operating Level

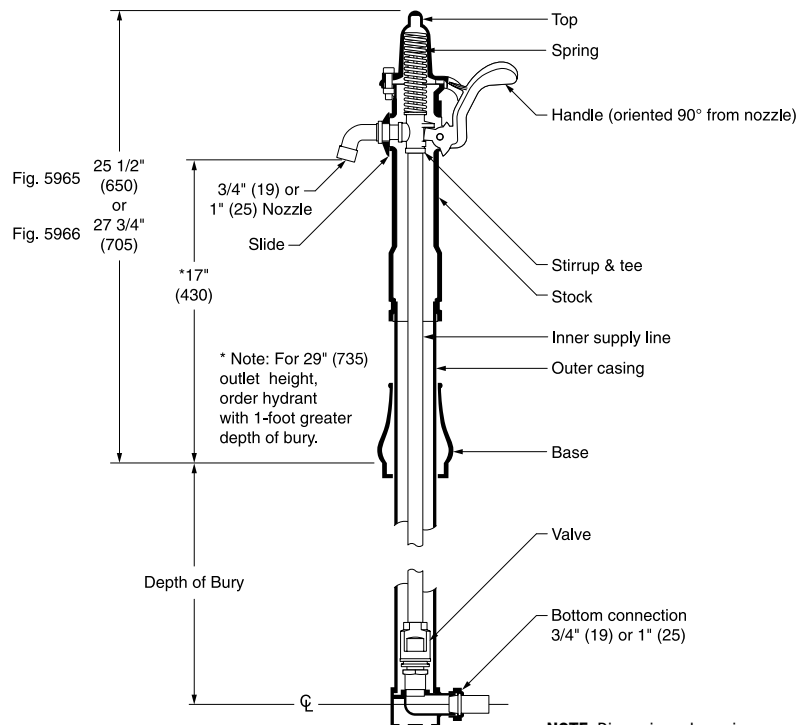


### FUNCTION:

Fig. 5965 or 5966 delivers year-round service outside or in unheated buildings. To provide freeze resistant functionality, the control valve is located below the frost line. The springloaded handle raises or lowers the internal supply line assembly, controlling the valve. The internal supply column is evacuated through drainage ports in the bottom. The hydrant must be operated fully "on."

### PRODUCT FEATURES:

- 3/4" (19) or 1" (25) inlet and outlet connections
- Constructed of heavy-duty red brass, quality gray iron and steel
- Freeze resistant
- Specify -BFH for Ball Check Valve and Vacuum Breaker
- Ideal for year-round use where excessive water waste is a problem
- Automatic shut-off hydrant





# Commercial Post/Yard Hydrants

## COMPRESSION-TYPE POST HYDRANTS WITH 1 1/2" (38) CONNECTIONS



**FIG. # 5963**

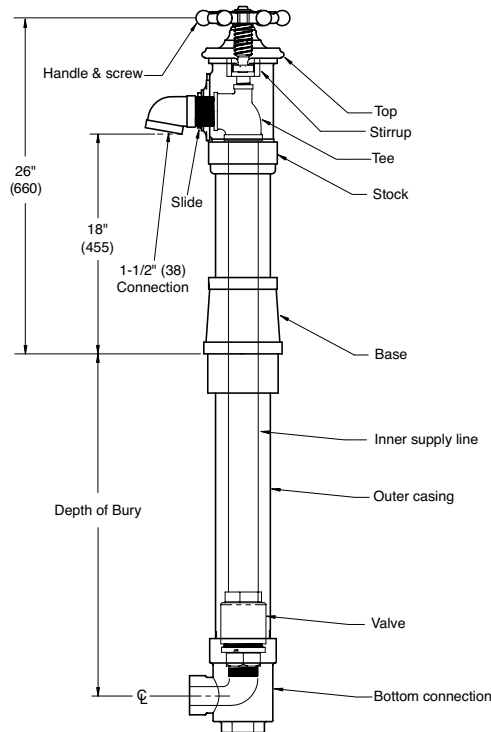
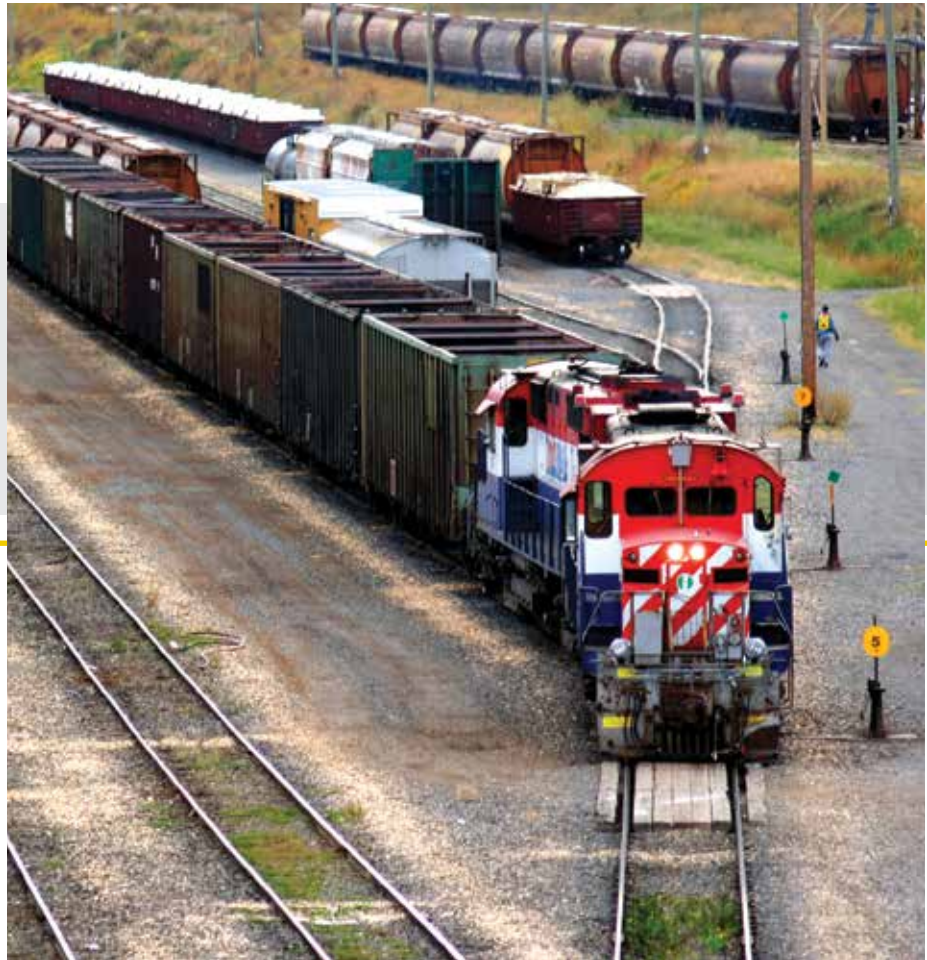
Compression-Type Post Hydrant with Wheel Handle

**FUNCTION:**

Fig. 5963 delivers year-round service outside or in unheated buildings. To provide freeze resistant functionality, the control valve is located below the frost line. Turning the handle raises or lowers the internal supply-line assembly, controlling the valve. Hydrant must be operated fully "on." Constructed of heavy brass, premium-quality gray iron and steel, the Fig. 5963 is designed for trouble-free reliability and easy maintenance.

**PRODUCT FEATURES:**

- 1 1/2" (38) bottom connection (available with N.P.T. tapping to connect to draw line).
- Constructed of heavy-duty red brass, quality gray iron and steel
- Freeze resistant
- Specify -BFH for Ball Check Valve and Vacuum Breaker
- Ideal for auxiliary fire protection, waste water treatment plants, railroads, and other areas requiring a large volume of water
- Wheel handle



**NOTE:** Dimensions shown in parentheses are in millimeters.



# Commercial Post/Yard Hydrants



## COMPRESSION-TYPE POST HYDRANTS WITH 2" (51) CONNECTIONS



**Fig. # 5964**

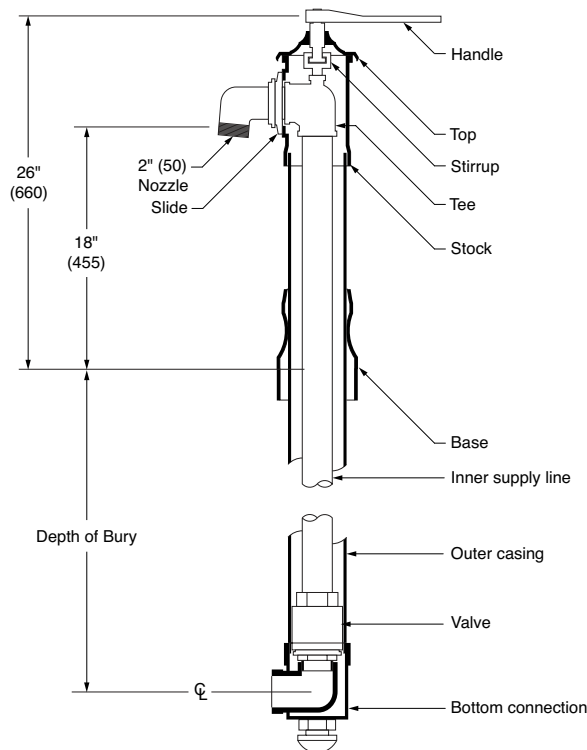
Compression-Type Self-Closing Post Hydrant with Operating Level

### FUNCTION:

Fig. 5964 delivers year-round service outside or in unheated buildings. To provide freeze resistant functionality, the control valve is located below the frost line. Turning the handle raises or lowers the internal supply-line assembly, controlling the valve. Hydrant must be operated fully "on." Constructed of heavy brass, premium-quality gray iron and steel, the Fig. 5964 is designed for trouble-free reliability and easy maintenance.

### PRODUCT FEATURES:

- 2" (51) bottom connection (available with N.P.T. tapping to connect to draw line).
- Constructed of heavy-duty red brass, quality gray iron and steel
- Freeze resistant
- Specify -BFH for Ball Check Valve and Vacuum Breaker
- Ideal for auxiliary fire protection, waste water treatment plants, railroads, and other areas requiring a large volume of water
- Lever handle



**NOTE:** Dimensions shown in parentheses are in millimeters.



# Commercial Roof Hydrant

## NON-FREEZE ROOF HYDRANT



5906

5903



### FIG. # 5903, 5906, 5907

Non-Freeze Roof hydrant  
(Sanitary, Self Contained 5903)

#### FUNCTION:

Provides water availability for window washing, cleaning of condenser coils, cooling towers and other types of roof equipment. Valve body of hydrant is drilled and tapped with 1/8" (3) drain hole which must be piped to a drain location.

#### PRODUCT FEATURES:

- 3/4" (19) Hose Connection
- Adjustable Flow Wheel Lock Handle
- Non-Freeze Hydrant with Integral Vacuum Breaker
- Galvanized Pipe Casing
- Deck Flange and Underdeck Clamp
- Hydrant is provided with a Bucket Handle Hook above the nozzle for ease of bucket filling
- (Fully self contained by draining the water from casing after shut-off into the sealed canister 5903).
- Specify Fig. # 5907 for ASSE 1011 Compliant Vacuum Breaker

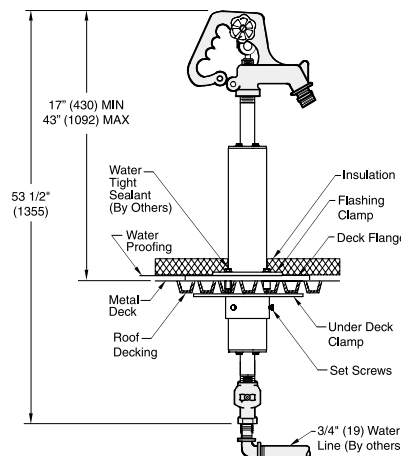
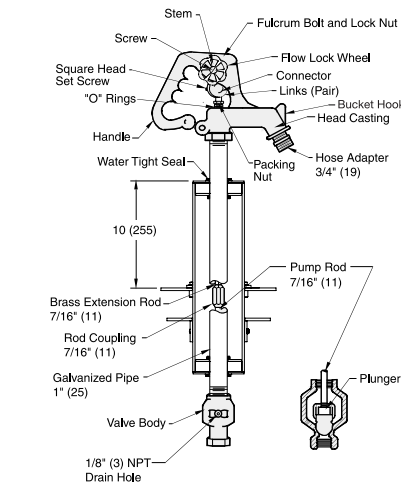


FIG. 5906

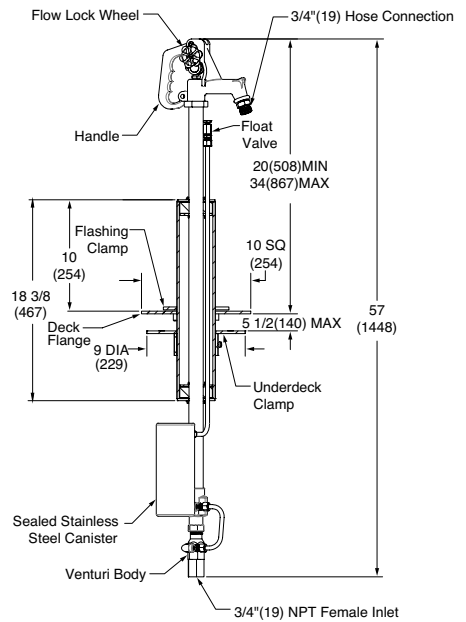


FIG. 5903

NOTE: Dimensions shown in parentheses are in millimeters.

#### Regularly Furnished:

Non-Freeze (Sanitary, Self Contained 5903) Roof Hydrant with Galvanized Casing, Adjustable Flow Wheel Lock Handle, (Sealed Stainless Steel Canister #5903), Venturi and Roof Mount Assembly



# Wall and Standpipe Hose Valves



## HOSE VALVES

### FIG. # 5670

Bent Nose with Flange

### FIG. # 5670 (-H)

Bent Nose with Flange and Vacuum Breaker



#### FUNCTION:

For installation in interior and exterior wall locations of buildings that are not subject to freezing. Valves close with pressure and feature a replaceable cartridge which contains all wearing parts including the seat. Optional vacuum breaker prevents contamination of potable water supply and complies with ASSE Standard 1011.

#### PRODUCT FEATURES:

- 3/4" (19) NPT female inlet, cartridge operated and furnished with a lock shield bonnet and removable loose key handle
- Horizontal supply valves have integral wall flange and are used both inside and outside
- Regularly furnished in rough bronze
- Optional finishes are rough chrome plate for exterior walls and polished chrome plate for interior walls
- Vertical standpipe supplied valves are normally used for outside planting areas
- Lead-free

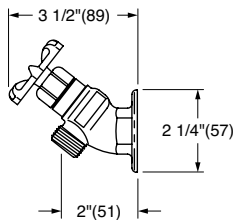


Fig. 5670  
(Less Vacuum Breaker)

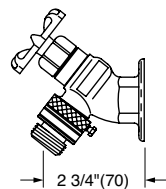


Fig. 5670-H  
(With Vacuum Breaker)

#### Regularly Furnished:

Hose Valves have a Rough Finish Brass Body with Machined Brass Vandal-Resistant Lock Shield Bonnet, Removable Wheel Handle, 3/4" (19) NPT Female Threaded Inlet and 3/4" (19) Hose Connection.

**NOTE:** Dimensions shown in parentheses are in millimeters.

## HOSE VALVES

### FIG. # 5675

Bent Nose

### FIG. # 5675 (-H)

Bent Nose with Vacuum Breaker



#### FUNCTION:

For installation on supply pipes 6" (150) to 36" (915) high in interior and exterior locations that are not subject to freezing. Valves close with the pressure and feature a replaceable cartridge which contains all wearing parts including the seat. Optional vacuum breaker prevents contamination of potable water supply and complies with ASSE Standard 1011.

#### PRODUCT FEATURES:

- 3/4" (19) NPT female inlet, cartridge operated and furnished with a lock shield bonnet and removable loose key handle
- Horizontal supply valves have integral wall flange and are used both inside and outside
- Regularly furnished in rough bronze
- Optional finishes are rough chrome plate for exterior walls and polished chrome plate for interior walls
- Vertical standpipe supplied valves are normally used for outside planting areas
- Lead-free

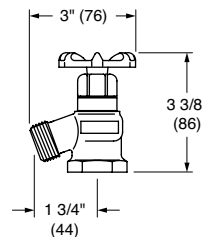


Fig. 5675  
(Less Vacuum Breaker)

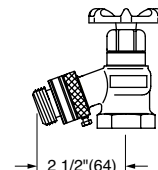


Fig. 5675-H  
(With Vacuum Breaker)

#### Regularly Furnished:

Hose Valves have a Rough Finish Brass Body with Machined Brass Vandal-Resistant Lock Shield Bonnet, Removable Wheel Handle, 3/4" (19) NPT Female Threaded Inlet and 3/4" (19) Hose Connection.

**NOTE:** Dimensions shown in parentheses are in millimeters.

#### Optional Materials:

- Polished Chrome Plated -CP
- Rough Chrome Plated -CR



# Wall and Standpipe Hose Valves

## HOSE VALVES

### FIG. # 5680

Straight Nose

### FIG. # 5680 (-H)

Straight Nose with Vacuum Breaker



#### FUNCTION:

For installation on supply pipes 6" (150) to 36" (915) high in interior and exterior locations that are not subject to freezing. Valves close with the pressure and feature a replaceable cartridge which contains all wearing parts including the seat. Optional vacuum breaker prevents contamination of potable water supply and complies with ASSE Standard 1011.

#### PRODUCT FEATURES:

- All 5670-5685 hose valves are 3/4" (19) NPT female inlet, cartridge operated and furnished with a lock shield bonnet and removable loose key handle
- Horizontal supply valves have integral wall flange and are used both inside and outside
- Regularly furnished in rough bronze
- Optional finishes are rough chrome plate for exterior walls and polished chrome plate for interior walls
- Vertical standpipe supplied valves are normally used for outside planting areas

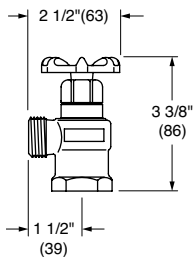


Fig. 5680  
(Less Vacuum Breaker)

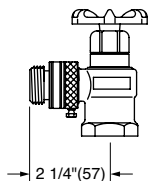


Fig. 5680 -H  
(With Vacuum Breaker)

#### Regularly Furnished:

Hose Valves have a Rough Finish Brass Body with Machined Brass Vandal-Resistant Lock Shield Bonnet, Removable Wheel Handle, 3/4" (19) NPT Female Threaded Inlet and 3/4" (19) Hose Connection.

**NOTE:** Dimensions shown in parentheses are in millimeters.

#### Optional Materials:

- Polished Chrome Plated -CP
- Rough Chrome Plated -CR

## HOSE VALVES

### FIG. # 5685

inverted Nose

### FIG. # 5685(-H)

Inverted Nose with Vacuum Breaker



#### FUNCTION:

For flush with surface installation in interior and exterior planter box locations that are not subject to freezing. Valves close with the pressure and feature a replaceable cartridge which contains all wearing parts including the seat. Optional vacuum breaker prevents contamination of potable water supply and complies with ASSE Standard 1011.

#### PRODUCT FEATURES:

- All 5670-5685 hose valves are 3/4" (19) NPT female inlet, cartridge operated and furnished with a lock shield bonnet and removable loose key handle
- Horizontal supply valves have integral wall flange and are used both inside and outside
- Regularly furnished in rough bronze
- Optional finishes are rough chrome plate for exterior walls and polished chrome plate for interior walls
- Vertical standpipe supplied valves are normally used for outside planting areas

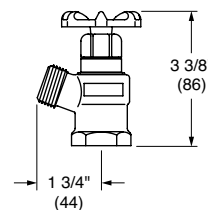


Fig. 5685  
(Less Vacuum Breaker)

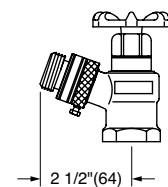


Fig. 5685 -H  
(With Vacuum Breaker)

#### Regularly Furnished:

Hose Valves have a Rough Finish Brass Body with Machined Brass Vandal-Resistant Lock Shield Bonnet, Removable Wheel Handle, 3/4" (19) NPT Female Threaded Inlet and 3/4" (19) Hose Connection.

**NOTE:** Dimensions shown in parentheses are in millimeters.

#### Optional Materials:

- Polished Chrome Plated -CP
- Rough Chrome Plated -CR

# Light Commercial Hydrants



## FREEZELESS SILLCOCK



### SERIES 5630

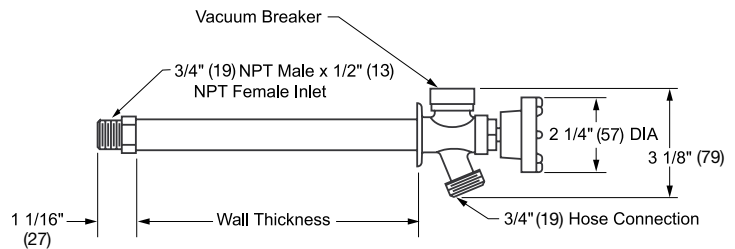
Freezeless Sillcock

#### FUNCTION:

Exposed anti-siphon non-freeze lawn faucet with chrome finish, black handle, brass casing, bronze interior parts, internal vacuum breaker, and operating rod with free-floating compression closure valve.

#### PRODUCT FEATURES:

- Used for small shopping centers, homes, service stations, churches, motels, and fast food restaurants
- Backflow protected
- Self-draining, freezeless sillcock
- Complies with ASSE Standard 1019-A
- IAPMO Listed, File No. 3856



NOTE: Dimensions shown in parentheses are in millimeters.

Series Number	Inlet Connection	Wall Thickness	Finish
5630-04	3/4" (19) NPT Male Thread x 1/2" (13) NPT Female Thread	4" (100)	Chrome
5630-06	3/4" (19) NPT Male Thread x 1/2" (13) NPT Female Thread	6" (150)	Chrome
5630-08	3/4" (19) NPT Male Thread x 1/2" (13) NPT Female Thread	8" (205)	Chrome
5630-10	3/4" (19) NPT Male Thread x 1/2" (13) NPT Female Thread	10" (255)	Chrome
5630-12	3/4" (19) NPT Male Thread x 1/2" (13) NPT Female Thread	12" (305)	Chrome

NOTE: Dimensional data is subject to manufacturing tolerances and change without notice.





# Light Commercial Hydrants

## MILD CLIMATE, ANTI-SIPHON SILLCOCK



### SERIES 5672, 5673 5672 (-BFP), 5573 (-BFP)

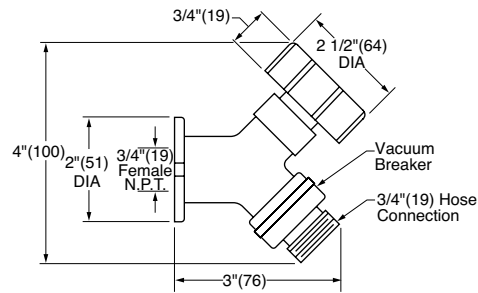
Mild Climate, Anti-Siphon Sillcock

#### FUNCTION:

Exposed anti-siphon wall faucet for mild climate installations. Complete with external vacuum breaker, rough brass or chrome finish, black handle, brass casing, bronze interior parts, and 3/4" (19) male hose connection. Loose key provided with each sillcock.

#### PRODUCT FEATURES:

- Used in mild climate areas on homes, service stations, churches, motels, and fast food restaurants and in garden, lawn, and other water systems
- A vacuum breaker, backflow protected wall sillcock
- Vacuum breaker complies with ASSE Standard 1011
- IAPMO Listed, File No. 3770
- Loose key furnished with each sillcock
- Specify Fig. # 5572 (-BFP), 5573 (-BFP) for ASSE 1052 Dual Check Valve



NOTE: Dimensions shown in parentheses are in millimeters.

Series Number	Inlet Connection	Finish
5672	1/2" (13) NPT Female Thread	Rough Brass
5673	3/4" (19) NPT Female Thread	Rough Brass
5672-CR	1/2" (13) NPT Female Thread	Rough Chrome
5673-CR	3/4" (19) NPT Female Thread	Rough Chrome

NOTE: Dimensional data is subject to manufacturing tolerances and change without notice.



# Product Cross Reference



Jay R. Smith Mfg. Co.	Zurn	Woodford
<b>NON-FREEZE WALL HYDRANTS</b>		
5630	Z1345	17
5509QT	Z1305	No Equal
5509QT-R	No Equal	No Equal
5517	Z1322-EZ	RB67
5519	Z1320-EZ	B67
5560QT,	Z1325	B22
5560QT(-H-WH)	-	HB67
5609QT	Z1315	No Equal
5619	Z1321	65/67
5660QT(-H-WH)	-	C22
5660QT(-H-WH)	Z1348-BFP	HC67
5660QT (SAP-H-WH)	No Equal	22CC
<b>WARM CLIMATE WALL HYDRANTS</b>		
<b>5572</b>	<b>Z1341 w/Z1341-Box</b>	<b>B24</b>
<b>5572 (-BFP)</b>	No Equal	<b>B26</b>
<b>5672, 5673</b>	<b>Z1341</b>	<b>24</b>
5518	Z1350	B75
5518-R	No Equal	RB75
5618	Z1349	75
5672, 5673	Z1341	24
5672(-BFP), 5673(-BFP)	Z1341-BFP	26
<b>GROUND HYDRANTS</b>		
5810, 5811	Z1360-3/4", Z1360-1"	No Equal
5810-F, 5811-F	Z1360-3/4"-K, Z1360-1"-K	No Equal
5812, 5813, 5814	Z1365-1-1/4", Z1365-1-1/2", Z1365-2"	No Equal
5830, 5831	No Equal	No Equal
5950, 5951	Z1370-3/4", Z1370-1"	No Equal
<b>POST HYDRANTS</b>		
5904	No Equal	No Equal
5909	Z1395	R34/W34/Y34/X34
5909(-MF-1)	No Equal	Y1
5910, 5911	Z1385-3/4", Z1385-1"	No Equal
5912, 5913, 5914	Z1390-1-1/4", Z1390-1-1/2", Z1390-2"	No Equal
5960, 5961	No Equal	No Equal
5963	No Equal	No Equal
5964	No Equal	No Equal
5965, 5966	No Equal	No Equal
<b>ROOF HYDRANTS</b>		
5906	Z1388	RHY1-MS
5907	No Equal	RHY2-MS

This comparison guide is for the convenience of our customers only and does not imply that the competitive items are exactly comparable to Jay R. Smith Mfg. Co. products in quality, approvals, or features.



# Product Cross Reference

Jay R. Smith Mfg. Co.	Zurn	Woodford	Chicago Faucet
WARM CLIMATE WALL HYDRANTS			
5670	No Equal	21-BR	No Equal
5670-CR	No Equal	21-CH	387-RCF
5670-CR-H	Z1341-RC	24	No Equal
5670-CP	No Equal	21-PC	387-CP
5670-CP-H	Z1341-PC	24-PC	387-E27CP
5670-H	Z1341	24-BR	No Equal
5670-SS	No Equal	No Equal	No Equal
5670-SS-H	No Equal	No Equal	No Equal
5675	No Equal	No Equal	No Equal
5675-H	Z1343	Y24	No Equal

This comparison guide is for the convenience of our customers only and does not imply that the competitive items are exactly comparable to Jay R. Smith Mfg. Co. products in quality, approvals, or features.



## HYDRANTS

### SUGGESTED SPECIFICATIONS

Jay R. Smith Mfg. Co. has developed the following paragraphs to assist the design professional in specifying hydrants. Insert these paragraphs into project specification Section 22 40 00 - Plumbing Fixtures or other similarly titled section.

For assistance on the selection of the products in this section or for other questions, contact Jay R. Smith Mfg. Co. by calling 334-277-8520, by email at salesengineering@jrsmith.com, or visit our website at www.jrsmith.com.

### PART 1 - GENERAL

Insert the following paragraphs under "Submittals":

#### A. REVIEW SUBMITTALS:

**1. Product Data:** Manufacturer's standard data sheets describing components including materials, dimensions, relationship to adjacent construction, and attachments.

### PART 2 - PRODUCTS

Insert the following under "Manufacturers". Edit to indicate whether or not substitutions will be permitted for the products in this section.

**A. CONTRACT DOCUMENTS** are based on products by Jay R. Smith Mfg. Co.  
**B. SUBSTITUTIONS:** [Under provisions of Division 01.] [Not permitted.]

Insert the following under "Components." Refer to the Jay R. Smith Mfg. Co. catalog or website for assistance in selecting specific model numbers, then select and edit the following paragraphs accordingly.

Include the following for a box type non-freeze wall hydrant with integral vacuum breaker.

#### A. HYDRANT:

**1. Model: No. 5509QT.**

**2. Description:** Bronze nickel plated quarter turn non-freeze hydrant with hose connection, integral vacuum breaker, "T" handle key, and stainless steel box with full 180° cover opening.

\*\*\*\* OR \*\*\*\*

Include the following for a box type narrow wall warm climate hydrant with concealed hose connection.

#### A. WALL HYDRANT:

**1. Model: No. 5518.**

**2. Description:** Bronze body warm climate hydrant with chrome plated face, ¾" hose connection having integral ASSE 1011 vacuum breaker, 360° swivel (¾" sweat X 1" NPTM) inlet connection, "T" handle key, and stainless steel box with full 180° cover opening.

\*\*\*\* OR \*\*\*\*

Include the following for a box type narrow wall warm climate hydrant with concealed hose connection.

#### A. WALL HYDRANT:

**1. Model: No. 5518-R.**

**2. Description:** Bronze body warm climate box hydrant with chrome plated face, concealed ¾" hose connection having an integral ASSE 1011 vacuum breaker, 360° swivel (¾" sweat X 1" NPTM) connection, "T" handle key and stainless steel box for 6" dia. cored hole.

\*\*\*\* OR \*\*\*\*

Include the following for a box type non-freeze wall hydrant with integral vacuum breaker and dual check valve.

#### A. HYDRANT:

**1. Model: No. 5519.**

**2. Description:** Bronze quarter turn non-freeze automatic draining hydrant with stainless steel face, hose connection, integral vacuum breaker and dual check valve, "T" handle key, wheel handle and stainless steel box with full 180° cover opening.

\*\*\*\* OR \*\*\*\*

Include the following for a box type non-freeze wall hydrant where both hot and cold water are desired.

#### A. HYDRANT:

**1. Model: No. 5560QT.**

**2. Description:** Bronze quarter turn non-freeze "twin-temp" hydrant with hose connections, "T" handle key, and bronze box with chrome plated face.

\*\*\*\* OR \*\*\*\*

Include the following for an exposed non-freeze wall hydrant where both hot and cold water are desired.

#### A. HYDRANT:

**1. Model: No. 5560QT-H-WH** (½" F x ¾" M inlet connection)

**No. 5561QT-H-WH** (1" M inlet connection)

**2. Description:** Bronze quarter turn non-freeze "twin-temp" hydrant with ¾" hose connections, wheel handles and self-draining vacuum breaker.

\*\*\*\* OR \*\*\*\*

Include the following for an exposed warm climate wall hydrant where both hot and cold water are desired.

#### A. HYDRANT:

**1. Model: No. 5560QT-SAP-H-WH** (½" F x ¾" M inlet connection)

**No. 5561QT-SAP-H-WH** (1" M inlet connection)

**2. Description:** Bronze quarter turn warm climate "twin-temp" hydrant with ¾" hose connections, wheel handles and self-draining vacuum breaker.

\*\*\*\* OR \*\*\*\*

Include the following for a mild climate anti-siphon sillcock (hydrant/hose bib) with exposed hose connection, vacuum breaker and stainless steel recessed box with full 180° cover opening.

#### A. MILD CLIMATE ANTI-SIPHON SILLCOCK

 (Hydrant/hose bib):

**1. Model: No. 5572** (½" NPTF inlet connection) Rough brass finish.

**No. 5573** (¾" NPTF inlet connection) Rough brass finish.

**2. Description:** Anti-siphon sillcock (hydrant/hose bib) for mild climate installations with ¾" hose connection, ASSE 1011 vacuum breaker, removable wheel handle, brass casing, bronze interior parts, and stainless steel box with full 180° cover opening.

\*\*\*\* OR \*\*\*\*

Include the following for a mild climate anti-siphon sillcock (hydrant/hose bib) with concealed hose connection, vacuum breaker and stainless steel recessed box with full 180° cover opening.

#### A. MILD CLIMATE ANTI-SIPHON SILLCOCK

 (Hydrant/hose bib):

**1. Model: No. 5572-BFP** (½" NPTF inlet connection) Rough brass finish.

**No. 5573-BFP** (¾" NPTF inlet connection) Rough brass finish.

**2. Description:** Anti-siphon sillcock (hydrant/hose bib) for mild climate installations with ¾" hose connection, ASSE 1052 dual check vacuum breaker, removable wheel handle, brass casing, bronze interior parts, and stainless steel box with full 180° cover opening.

\*\*\*\* OR \*\*\*\*

Include the following for an exposed non-freeze wall hydrant with integral vacuum breaker.

#### A. HYDRANT:

**1. Model: No. 5609QT.**

**2. Description:** Bronze nickel plated quarter turn non-freeze hydrant with hose connection, integral vacuum breaker, with vandal resistant cap and "T" handle key.

\*\*\*\* OR \*\*\*\*

Include the following for a narrow wall warm climate hydrant with exposed hose connection.

#### A. WALL HYDRANT:

**1. Model: No. 5618.**

**2. Description:** Bronze body warm climate hydrant with chrome plated face, concealed ¾" hose connection having an integral ASSE 1011 vacuum breaker, 360° swivel (¾" sweat X 1" NPTM) connection and "T" handle key.

\*\*\*\* OR \*\*\*\*

Include the following for an exposed non-freeze wall hydrant with integral vacuum breaker and dual check valve.



# CSI MasterFormat Guide Specification for Hydrants

## A. HYDRANT:

### 1. Model: No. 5619.

2. **Description:** Bronze quarter turn non-freeze automatic draining hydrant with stainless steel face, hose connection, integral vacuum breaker and dual check valve and "T" handle key.

\*\*\*\* OR \*\*\*\*

Include the following for an exposed hose valve (bibb) for installation in interior and exterior wall locations of buildings that are not subject to freezing.

## A. HOSE VALVE (BIBB):

### 1. Model: No. 5670 (less vacuum breaker) or 5670-H (with vacuum breaker).

2. **Description:** Bent nose rough brass finished body with flange, machined brass vandal-resistant lock shield bonnet, removable wheel handle, 3/4" NPT female threaded inlet and 3/4" hose connection.

\*\*\*\* OR \*\*\*\*

Include the following for an exposed wall sillcock (hydrant/hose bib) with exposed hose connection and dual check vacuum breaker.

## A. MILD CLIMATE ANTI-SIPHON SILLCOCK (Hydrant/hose bib):

### 1. Model: No. 5672-BFP (1/2" NPTF inlet connection) Rough brass finish.

No. 5673-BFP (3/4" NPTF inlet connection) Rough brass finish.

2. **Description:** Mild climate anti-siphon sillcock (hydrant/hose bib) for mild climate installations with exposed 3/4" hose connection, ASSE1052 dual check vacuum breaker, removable wheel handle and brass casing.

\*\*\*\* OR \*\*\*\*

Include the following for a hydrant with a hinged covered box, for positive protection against freezing when buried outside or in unheated areas, and the closing valve is located below the frost line.

## A. HYDRANT:

### 1. Model: No. 5810 series.

2. **Description:** Bronze non-freeze ground hydrant with "T" handle key, and bronze hydrant box

\*\*\*\* OR \*\*\*\*

Include the following for a hydrant with a hinged covered box in watertight floor construction, for positive protection against freezing when buried outside or in unheated areas, and the closing valve is located below the frost line.

## A. HYDRANT:

### 1. Model: No. 5810F or No. 5811F.

2. **Description:** Bronze non-freeze ground hydrant with "T" handle key, bronze hydrant box with flashing flange and clamp.

\*\*\*\* OR \*\*\*\*

Include the following for a non-freeze ground hydrant for flush with grade or finished floor installation with hinged cover box and where the closing valve is located below the frost line for positive protection against freezing.

## A. GROUND HYDRANT:

### 1. Model: No. 5812(1 1/4"), 5813 (1 1/2") or 5814 (2") Specify Inlet/ Outlet Connections size.

2. **Description:** Bronze non-freeze ground hydrant with "T" handle, cast iron hydrant box and hose inlet connection. The closing valve must be installed at a location below the frost line. A bed of gravel is required at the valve to allow for drainage of the casing. If installed in an application such as a parking deck, specify the drain hole to be furnished tapped where it can be piped to a suitable drain. Specify the required depth of bury.

\*\*\*\* OR \*\*\*\*

Include the following for a non-freeze SANITARY post/yard hydrant where an above ground water outlet is required in areas subject to freezing and where water is not allowed to drain from the casing into the ground.

## A. SANITARY POST HYDRANT:

### 1. Model No. 5904.

2. **Description:** Cast iron post/yard hydrant with galvanized casing, flow wheel lock handle, Stainless Steel underground sealed canister, 3/4" female NPT inlet and 3/4" hose connection nozzle with venturi adapter. The closing valve must be installed at a location below the frost line. Specify the required depth of bury.

\*\*\*\* OR \*\*\*\*

Include the following for a non-freeze roof post hydrant with hose connection and where a water supply is required on a roof or plaza area and is located in areas subject to freezing.

## A. POST HYDRANT:

### 1. Model: No. 5906.

2. **Description:** Non-freeze roof post hydrant with 3/4" hose adapter connection, galvanized casing and adjustable flow wheel lock handle with deck flange and under deck clamp. A tapped 1/8" drain hole is furnished in the valve body and must be piped and discharged to an acceptable discharge point for proper draining of the casing to prevent freezing.

\*\*\*\* OR \*\*\*\*

Include the following for a non-freeze roof post hydrant with hose connection and where a water supply is required on a roof or plaza area and is located in areas subject to freezing.

## A. POST HYDRANT:

### 1. Model: No. 5907.

2. **Description:** Non-freeze roof post hydrant with 3/4" dual check vacuum breaker hose adapter connection, galvanized casing and adjustable flow wheel lock handle with deck flange and under deck clamp. A tapped 1/8" drain hole is furnished in the valve body and must be piped and discharged to an acceptable discharge point for proper draining of the casing to prevent freezing.

\*\*\*\* OR \*\*\*\*

Include the following for a galvanized above ground water outlet in areas which are subject to freezing temperatures.

## A. HYDRANT:

### 1. Model: No. 5909 (3/4" NPTF inlet connection and 3/4" outlet box connection)

No. 5909-MF1 (1" NPTF inlet connection)

No. 5909-HC1 (1" outlet hose connection)

2. **Description:** Non-freeze post hydrant with galvanized casing and adjustable flow wheel lock handle.

\*\*\*\* OR \*\*\*\*

Include the following for a bronze above ground water outlet in areas which are subject to freezing temperatures.

## A. HYDRANT:

### 1. Model: No. 5910 series.

2. **Description:** Bronze non-freeze post hydrant with cast iron casing guard and "T" handle key.

\*\*\*\* OR \*\*\*\*

Include the following for a non-freeze post hydrant with hose connection and where an above ground water outlet is required in areas subject to freezing and the closing valve is located below the frost line for positive freeze-proof protection.

## A. POST HYDRANT:

### 1. Model: 5911 (1")

2. **Description:** Bronze non-freeze post hydrant with cast iron casing guard and "T" handle key. The closing valve must be installed at a location below the frost line. A bed of gravel is required at the valve to allow for drainage of the casing. If installed in an application such as a parking deck, specify the drain hole to be furnished tapped where it can be piped to a suitable drain. Specify the required depth of bury.

\*\*\*\* OR \*\*\*\*

Include the following for a non-freeze post hydrant with hose connection and where an above ground water outlet is required in areas subject to freezing and the closing valve is located below the frost line for positive freeze-proof protection.

## A. POST HYDRANT:

### 1. Model: No. 5912 (1 1/4"), 5913 (1 1/2") or 5914 (2") Specify Inlet/ Outlet Connection size.

2. **Description:** Bronze non-freeze post hydrant with cast iron casing guard and "T" handle key.

The closing valve must be installed at a location below the frost line. A bed of gravel is required at the valve to allow for drainage of the casing. If installed in an application such as a parking deck, specify the drain hole to be furnished tapped where it can be piped to a suitable drain. Specify the required depth of bury.

\*\*\*\* OR \*\*\*\*

Include the following for a hydrant with heavy duty hinged cover box, particularly suitable for traffic areas which require a flush with ground non-freeze hydrant, and the closing valve is located below the frost line.

## A. HYDRANT:

### 1. Model: No. 5950 or No. 5951.

# CSI MasterFormat Guide Specification for Hydrants



**2. Description:** Bronze hydrant with bronze casing, "T" handle key and cast iron box with heavy duty cover with lifting device.

\*\*\* OR \*\*\*\*

Include the following for a non-freeze compression type post hydrant with hose connection and where an above ground water outlet is required in areas subject to freezing and the centerline of the supply inlet is positioned at or below the frost line to provide freeze protection. Use in exterior installations or interior unheated installations.

**A. POST HYDRANT:**

**1. Model: No. 5963 (1½")**

**2. Description:** Valve shall be operated by a one-piece iron casting wheel handle for closure. Stock, top and base shall be fabricated of heavy, one-piece iron castings finished with a heavy grade of oil-based green enamel. Inner supply assembly shall incorporate solid-brass castings. All solid brass castings shall conform to ASTM Standards B61 and B62. Waterway castings shall be lead free. Outer casing shall be black iron pipe and finished with heavy grade oil-based green enamel. Nozzle shall be a solid brass casting threaded for 1½" NPTF hose connection. Water shall be gravity-evacuated from the inner supply column when valve is shut-off. Specify required depth of bury.

\*\*\* OR \*\*\*\*

Include the following for a non-freeze compression type post hydrant with hose connection and where an above ground water outlet is required in areas subject to freezing and the centerline of the supply inlet is positioned at or below the frost line to provide freeze protection. Use in exterior installations or interior unheated installations. Ideal for auxiliary fire protection use.

**A. POST HYDRANT:**

**1. Model: No. 5964 (2")**

**2. Description:** Valve shall be operated by lever handle operated for closure. Handle shall be fabricated of one-piece iron casting. Stock, top and base shall be fabricated of heavy, one-piece iron castings finished with a heavy grade of oil-based green enamel. Inner supply assembly shall incorporate solid-brass castings. All solid brass castings shall conform to ASTM Standards B61 and B62. Waterway castings shall be lead free. Outer casing shall be black iron pipe and finished with heavy grade oil-based green enamel. Nozzle shall be a solid brass casting threaded for 2" NPTF hose connection. Water shall be gravity-evacuated from the inner supply column when valve is shut-off. Specify required depth of bury.

\*\*\* OR \*\*\*\*

Include the following for a non-freeze compression type post hydrant with hose connection and where an above ground water outlet is required in areas subject to freezing and the centerline of the supply inlet is positioned at or below the frost line to provide freeze protection. Use in exterior installations or interior unheated installations.

**A. POST HYDRANT:**

**1. Model: No. 5965 (¾") or 5966 (1") Specify Inlet/Outlet Connection Size.**

**2. Description:** Valve shall be operated by lever handle spring loaded for closure. Stock, top and base shall be fabricated of heavy, one-piece iron castings finished with a heavy grade of oil-based green enamel. Handle shall be an aluminum-bronze casting. Inner supply assembly shall incorporate solid-brass castings. All solid brass castings shall conform to ASTM Standards B61 and B62. Waterway castings shall be lead free. Outer casing shall be galvanized steel pipe and finished with heavy grade oil-based green enamel. Nozzle shall be a solid brass casting threaded for ¾" or 1" NPTF hose connection. Water shall be gravity-evacuated from the inner supply column when valve is shut-off. Specify required depth of bury.

\*\*\* OR \*\*\*\*

Include the following for a wall sillcock (hydrant) with exposed hose connection and vacuum breaker.

**A. WALL SILLCOCK (LAWN FAUCET/HYDRANT):**

**1. Model: No. 5630.**

**2. Description:** Exposed anti-siphon non-freeze self-draining lawn faucet (hydrant) with ¾" hose connection and ¾" NPTM X ½" NPTF inlet connection, chrome finish, black handle, brass casing, bronze interior parts, vacuum breaker, and operating rod with free-floating compression closure valve.

\*\*\*\* OR \*\*\*\*

Include the following for a wall sillcock (hydrant/hose bibb) with exposed hose connection and vacuum breaker.

**A. WALL SILLCOCK (HYDRANT/HOSE BIBB):**

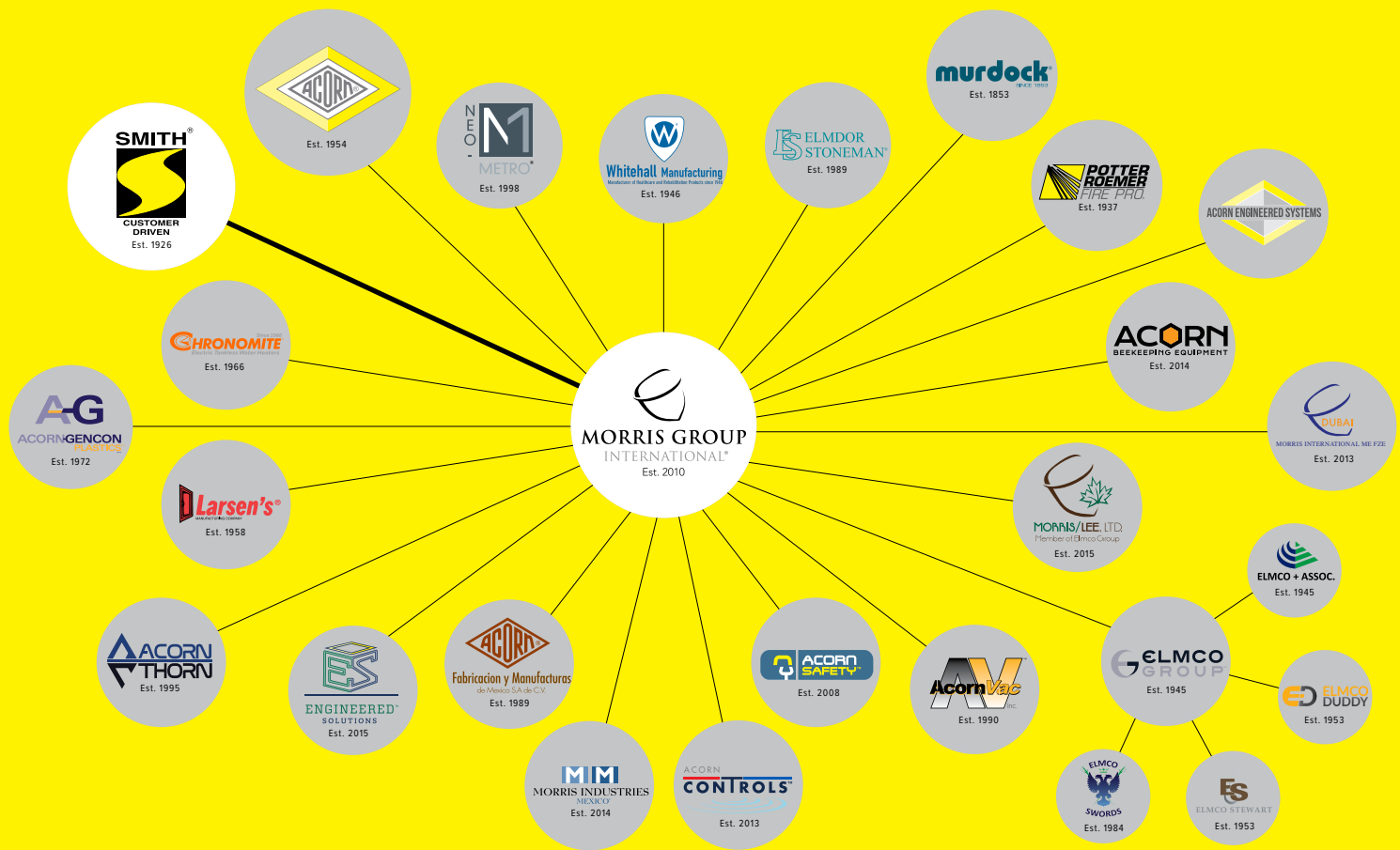
**1. Model: No. 5672 (½" NPTF inlet connection) Rough brass finish.**  
**No. 5673 (¾" NPTF inlet connection) Rough brass finish.**  
**No. 5672 (-CR) (½" NPTF inlet connection) Rough chrome finish.**  
**No. 5673 (-CR) (¾" NPTF inlet connection) Rough Chrome finish.**

**2. Description:** Exposed anti-siphon wall faucet (hydrant/hose bibb) for mild climate installations with ¾" hose connection with vacuum breaker, black handle, brass casing, bronze interior parts, and loose key. Specify inlet connection size and rough brass or rough chrome finish.

## PART 3 - EXECUTION

Include the following under "Installation":

- A. Install components in accordance with manufacturer's instructions and approved product data submittals.
- B. Set plumb, level, and rigid.



**JAY R. SMITH MFG. CO.®**  
MEMBER OF MORRIS GROUP INTERNATIONAL

**WARNING:** Cancer and Reproductive Harm - [www.P65Warnings.ca.gov](http://www.P65Warnings.ca.gov)

2781 Gunter Park Dr. • East Montgomery, AL 36109-1405 • United States  
Tel 334-277-8520 • [www.jrsmith.com](http://www.jrsmith.com)

SPM 2147-0619

## INNOVATIVE SPIRIT AND ENGINEERING FOUNDATION

“What sets us apart from competitors is our engineering and spirit. We have a ‘can-do’ spirit. If you ask us to do something, we will do it or figure out how to do it. That’s the part our customers like, that’s the part we like.”

- Don Morris, President and CEO



**MORRIS GROUP  
INTERNATIONAL®**

BRANDS BUILT TO LAST!™

[morriscgroup.co](http://morriscgroup.co)