



**JAY R. SMITH MFG. CO.**  
Since 1926



## **Guardian Plus Dual Check Hydrant with Integral Stop Water Service Shut-off Valve and Non-freeze Protection**

The 5515 and 5615 Guardian Plus Dual Check Hydrant by Jay R. Smith Mfg. Co. features an integral water service shut-off valve for easy maintenance. The hydrant also includes an integral vacuum breaker for freeze protection and a double check valve for backflow prevention.

The hydrant features bronze construction with a stainless steel face and has a 3/4" inlet and hose connection. The 5515 hydrant is concealed in a stainless steel box to prevent unauthorized access. The 5615 hydrant is intended for applications where an exposed hydrant is acceptable. The integral stop non-freeze hydrant meets ASSE standards 1052, 1053, and 1019-B.



5515



5615

Patent Pending

# Guardian Plus Dual Check Hydrant with Integral Stop Water Service Shut-off Valve and Non-freeze Protection

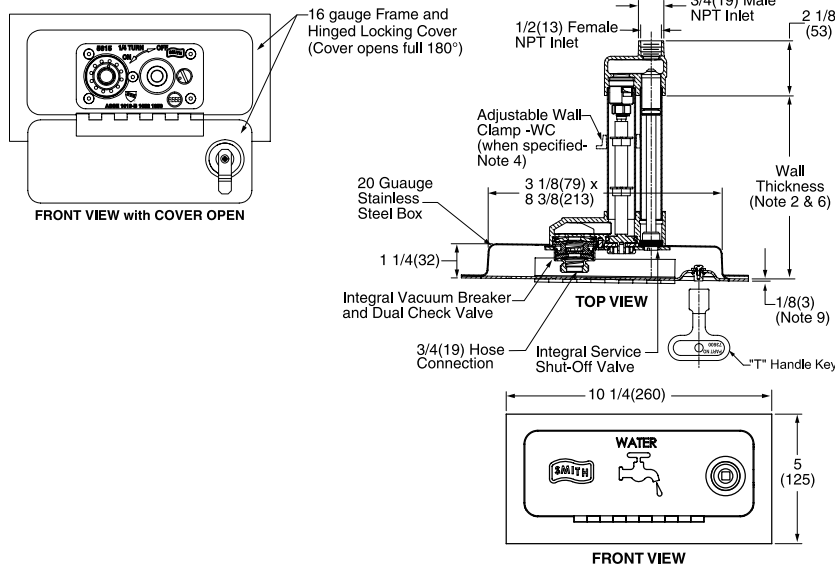


Figure Number 5515

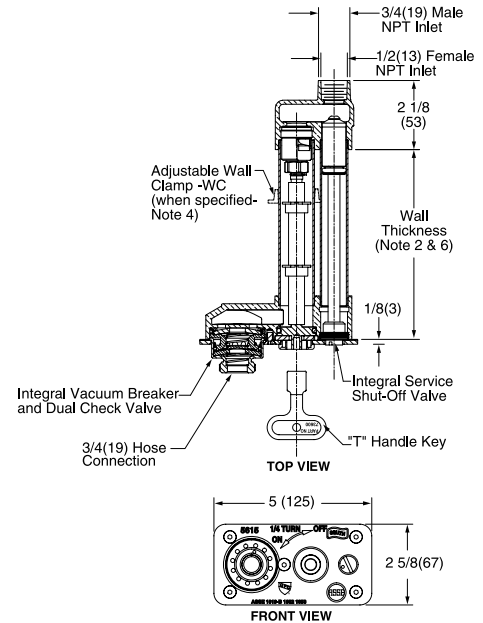


Figure Number 5615

Features and Benefits:	
<b>Easy to Maintain:</b>	Service shut-off valve enables the water supply to be shut-off at the hydrant, allowing for easy maintenance. This valve is operated by using a large flat-head screwdriver at the face of the hydrant.
<b>Easy to Operate:</b>	A quarter-turn of the handle allows full flow of water. A "T" handle is provided standard; an ergonomically designed wheel handle can be specified as an option.
<b>Potable Water Supply:</b>	Dual check valves eliminate possible contamination of the water supply by preventing back siphonage or back pressure.
<b>Positive Freeze Protection:</b>	Integral vacuum breaker provides freeze protection where water is required at the outside of the building.
<b>Safe for all Buildings:</b>	Flush installation eliminates catch points, preventing accidental injury from exposed and protruding hose bibbs.

Visit [www.jrsmith.com](http://www.jrsmith.com) to see our product offering and other resources.

