



JAY R. SMITH MFG. CO.
MEMBER OF MORRIS GROUP INTERNATIONAL



**Extra Heavy Duty
& Bariatric Duty
Closet Support
Solutions**

*Solutions That Address the Special Needs
of Bariatric Health Care Design.*



**MORRIS GROUP
INTERNATIONAL**

www.morrisgroup.co



Bariatric Toilet & Closet Supports

Bariatric and Healthcare Design

Healthcare organizations continue to balance the cost of care with quality staff, patient safety, morale, and accessibility. The design of facilities has a direct impact on all of these performance criteria for care and must apply for all patient types, including the increasingly larger bariatric population.

Healthcare settings are adapting care practices, procuring special equipment and supplies, renovating, and building new spaces to accommodate morbidly obese people.

Morbidly obese patients access healthcare systems, just like all other patient types, become part of the healthcare delivery continuum through inpatient, ambulatory, and outpatient settings. Their physical needs and conditions, however, are highly specialized. The design community is facing the request for the creation of "bariatric-friendly" healthcare environments.

Healthcare organizations across the nation are adapting their care practices to address the increasing needs of the bariatric population.



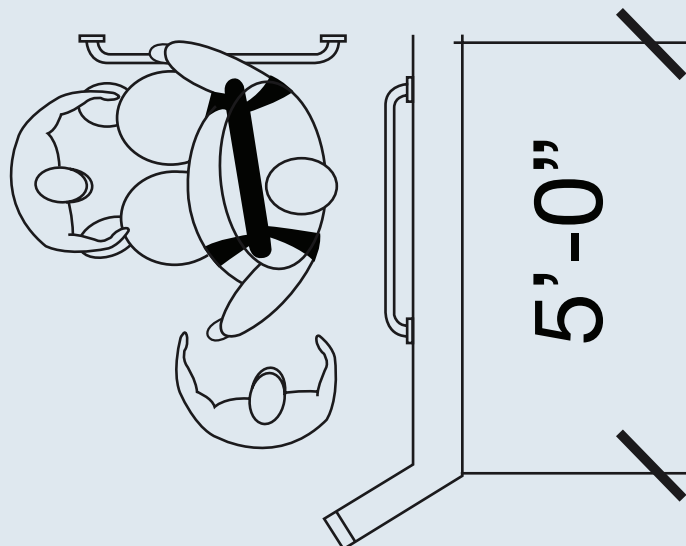
Currently more than 59 million Americans (about 31 percent of the population) are obese, of whom an estimated 5 to 10 million suffer from morbid obesity.¹

Designing a Bariatric Toilet Room

Provide a wall-mounted water closet and support system rated to at least 700 pounds and allow for staff assistance on two sides of patient at water closet. A clearance of 5 feet allows for location of a bariatric water closet if necessary and doesn't infringe on heights and distances of accessories around the water closet. For care and safety concerns, choose a stainless steel water closet over porcelain, if it meets the rating.

700 pounds minimum (design drop weight with an impact factor of 1.4 with a patient weight of 500 pounds).

1,000 pounds (static load) per ASME Standard A112.61M.



¹ The American Institute of Architects, Bariatric Healthcare Facilities



BARIATRIC WALL MOUNTED TOILET

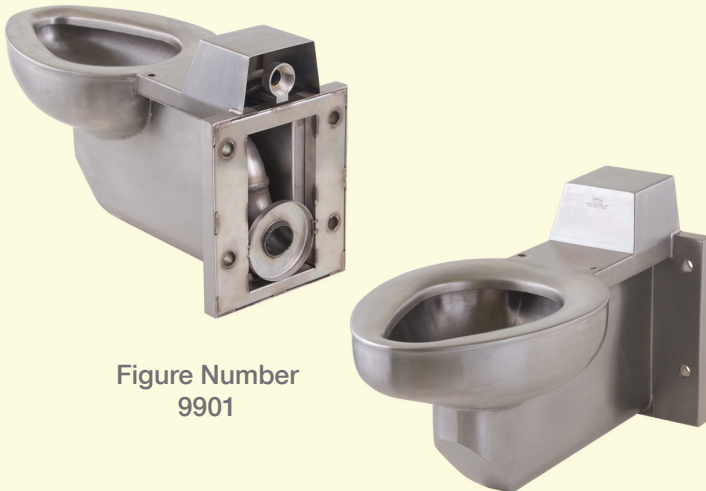
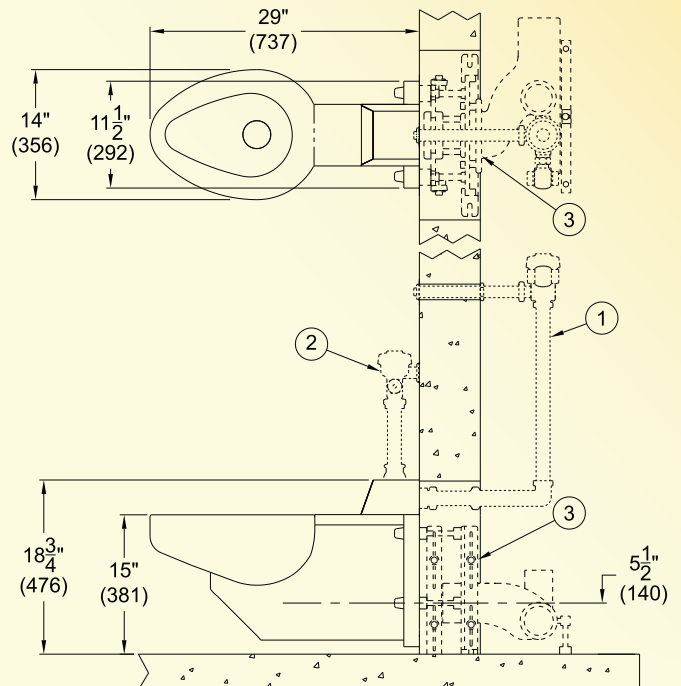


Figure Number
9901

9901 Elongated Bariatric Duty Wall Hung Water Closet Rated Up To 1,000 Pounds

- Use with any Smith Extra Heavy Duty or Bariatric Duty Fixture Support to assure performance and to safe-guard against catastrophic failure.
- Extra Heavy Duty and Bariatric Duty wall hung siphon jet toilet with elongated rim and 1-1/2" NPT back spud (concealed) or top flush valve connection.
- Toilet bowl is fabricated from 14 gauge, type 304 stainless steel and is seamless welded construction for rigidity and sanitary conditions.
- Manufactured to ANSI 112.19.2M requirements and requires a minimum of 25 PSI flow pressure. Toilet uses a water consumption of 1.6 gallons or less per flush.
- Seamless construction.
- Wall flange is structurally reinforced.
- Exterior is polished to a satin finish.
- The inside of the toilet bowl has a matte finish.



1. Flush Valve—Wall Supply **by others**
2. Flush Valve—Top Supply **by others**
3. Extra Heavy Duty or Bariatric Closet Support

Guide Specifications: Provide and install Jay R. Smith Mfg. Co. Bariatric Siphon Jet Toilet (specify figure number 9901 and options). Toilet bowl shall be fabricated from 14 gauge, type 304 stainless steel. Construction shall be seamless welded and exposed surfaces shall have a satin finish. Toilet shall be concealed siphon jet type with an elongated bowl, a selfdraining flushing rim, and punched for elongate hinged seat. Toilet shall meet ANSI 112.19.2M requirements, using an average water consumption of 1.6 gallons per flush or less. Waste outlet connection is 5-1/2" diameter recessed gasket flange. Fixture shall be furnished with necessary fasteners for proper installation.

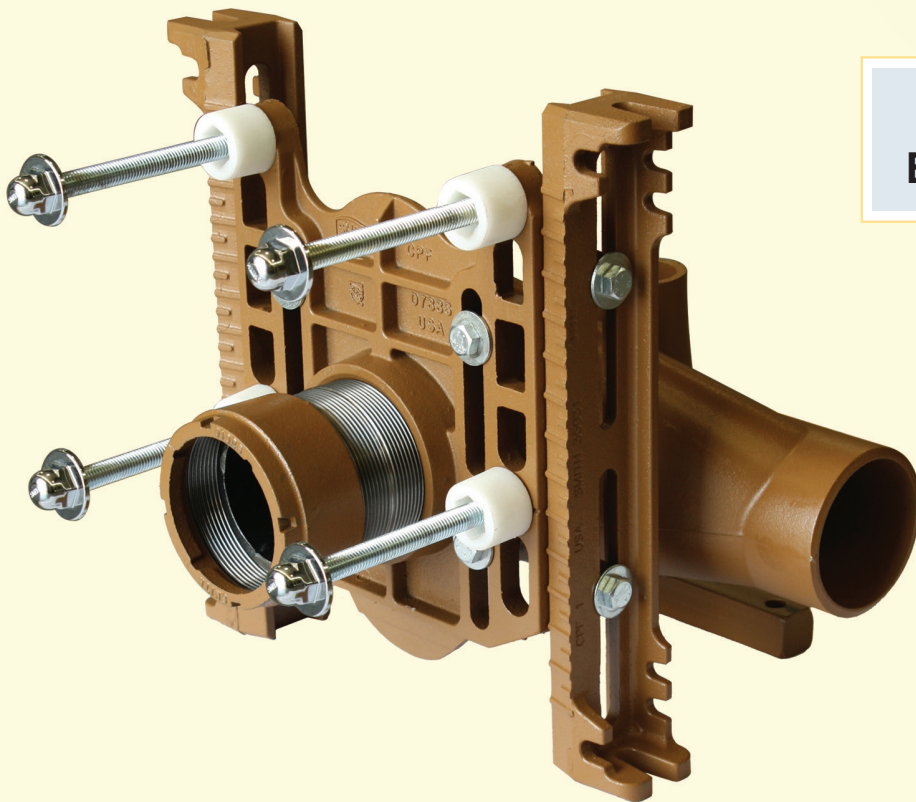


JAY R. SMITH MFG. CO.
MEMBER OF MORRIS GROUP INTERNATIONAL

CUSTOMER
DRIVEN
SINCE 1926

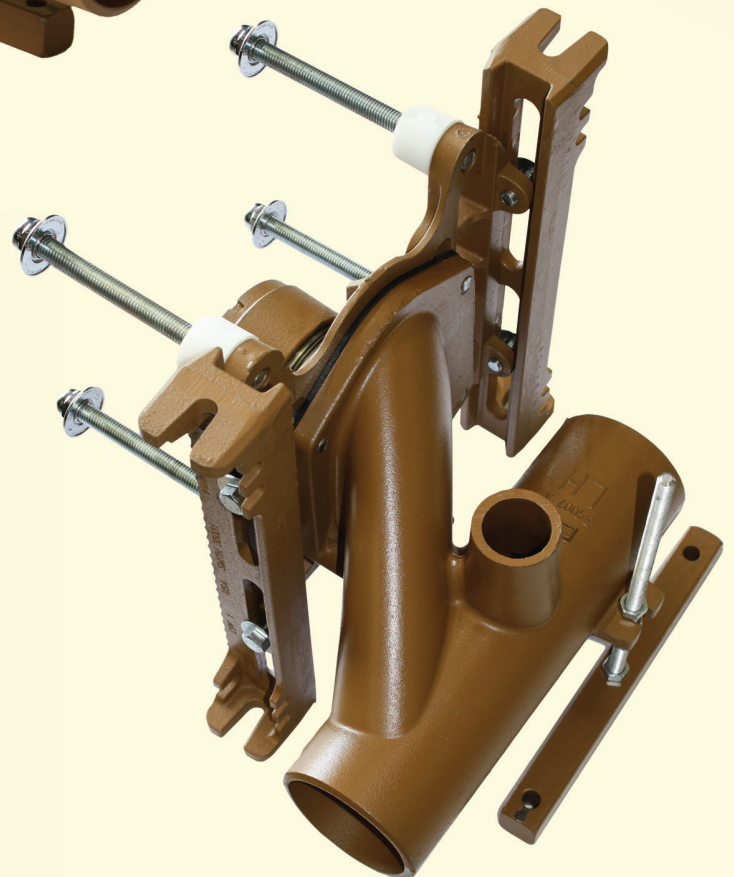
Bariatric Toilet & Closet Supports

EXTRA HEAVY DUTY & BARIATRIC DUTY ADJUSTABLE FIXTURE SUPPORTS



0211Y-M54-XX
Extra Heavy Duty, 750 LBS

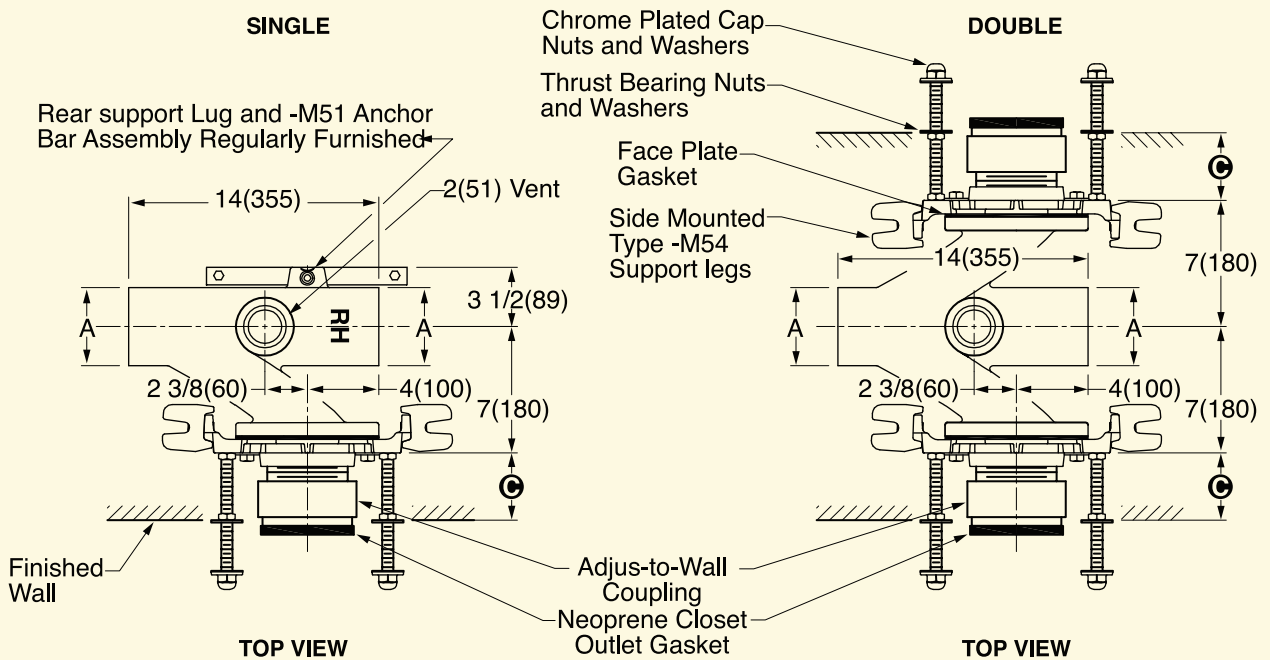
- Provides corresponding performance up to 750 pounds behind the wall.
- Complies with and/or exceeds all requirements of ASME A112.61M up to 750 (static load) pounds.
- Incorporates a newly designed M51 anchor bar and kit to strengthen support to 750 (static load) pounds.
- The use of a wall mounted toilet provides a hygienic environment by keeping the fixture off the floor.
- Designed for new or retro-fit construction and fits standard wall mounted toilet installation using 5/8" studs.



**ADJUSTABLE FIXTURE SUPPORTS
 FOR SIPHON JET WATER CLOSETS**

EXTRA HEAVY DUTY-750 LBS. (340kg)

Figure Number 0211Y-M54-XX

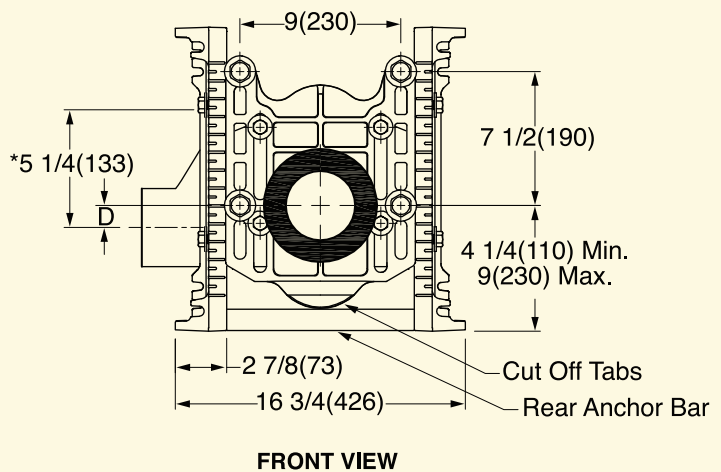


NOTES:

1. Base support must be securely anchored to floor with 1/2"(13) anchors able to withstand a pull-out force of 500 lbs (227 kg). The rear anchor bar must be securely anchored to floor with 1/2"(13) anchors able to withstand a pull-out force of 1000 lbs (454 kg). Pull-out forces are calculated values, no safety factor has been applied.
2. Dimensions shown in parentheses are in millimeters.
3. *Dimension to top of vent.

A SIZE	D	
	MIN	MAX
4(100)	5/8(16)	3 3/8(87)

Ⓞ Dimension = 4"(100) (Regularly Furnished) consisting of nipple and Adjus-to-Wall coupling permitting adjustment from 3"(76) min. to 4"(100) max. Longer nipples are available, specify Ⓞ dimension.



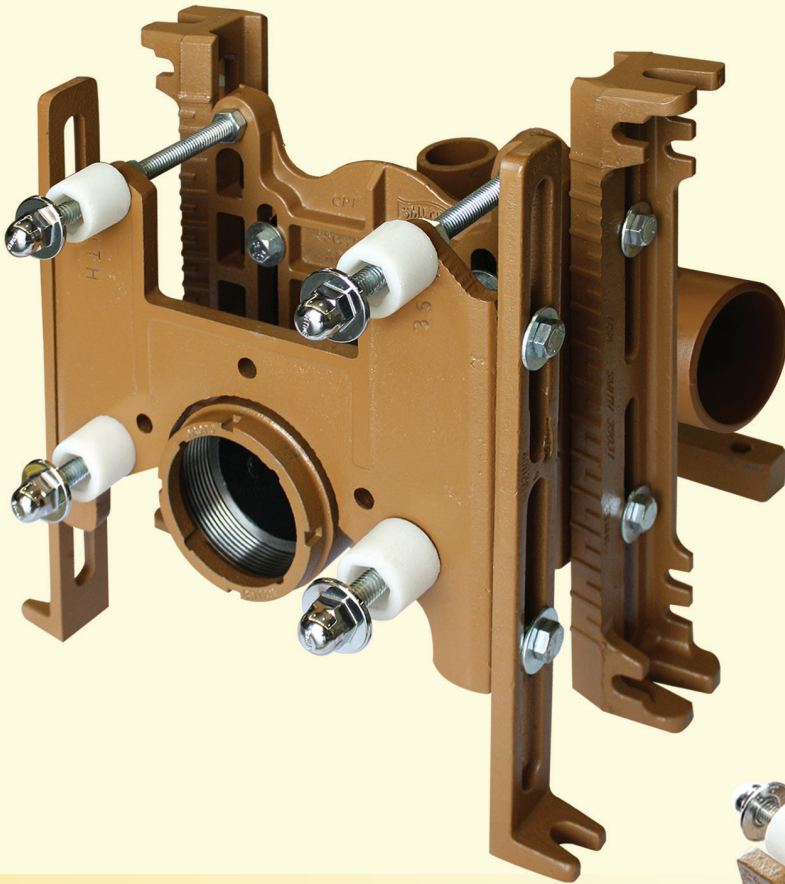
Jay R. Smith 0211Y-M54-XX complies with and/or exceeds all requirements of ASME A112.6.1M up to 750 lbs.



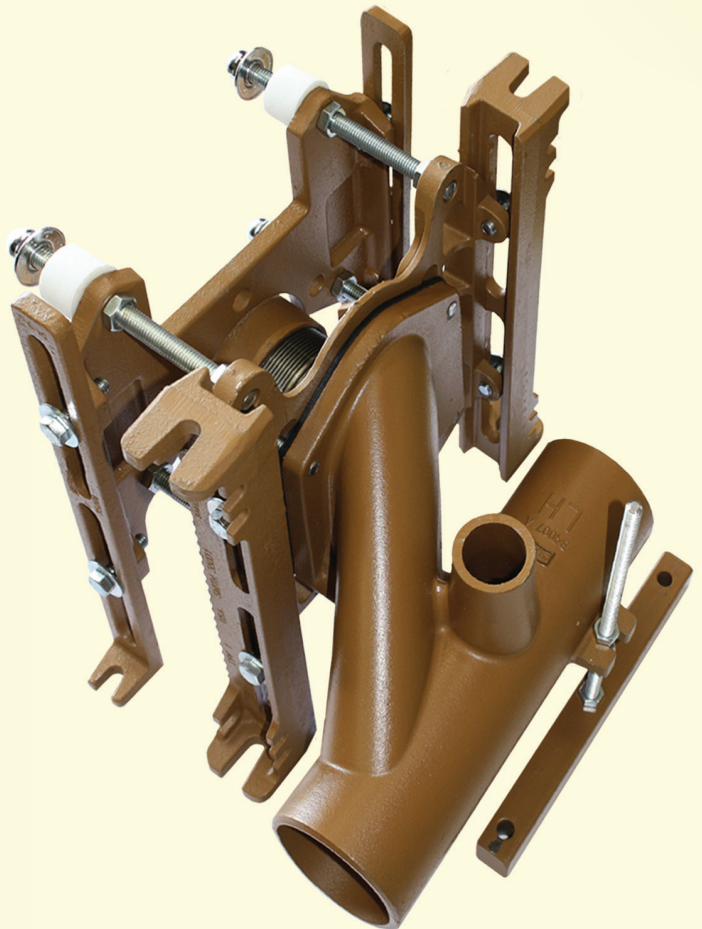
JAY R. SMITH MFG. CO.
MEMBER OF MORRIS GROUP INTERNATIONAL

Bariatric Toilet & Closet Supports

EXTRA HEAVY DUTY & BARIATRIC DUTY ADJUSTABLE FIXTURE SUPPORTS



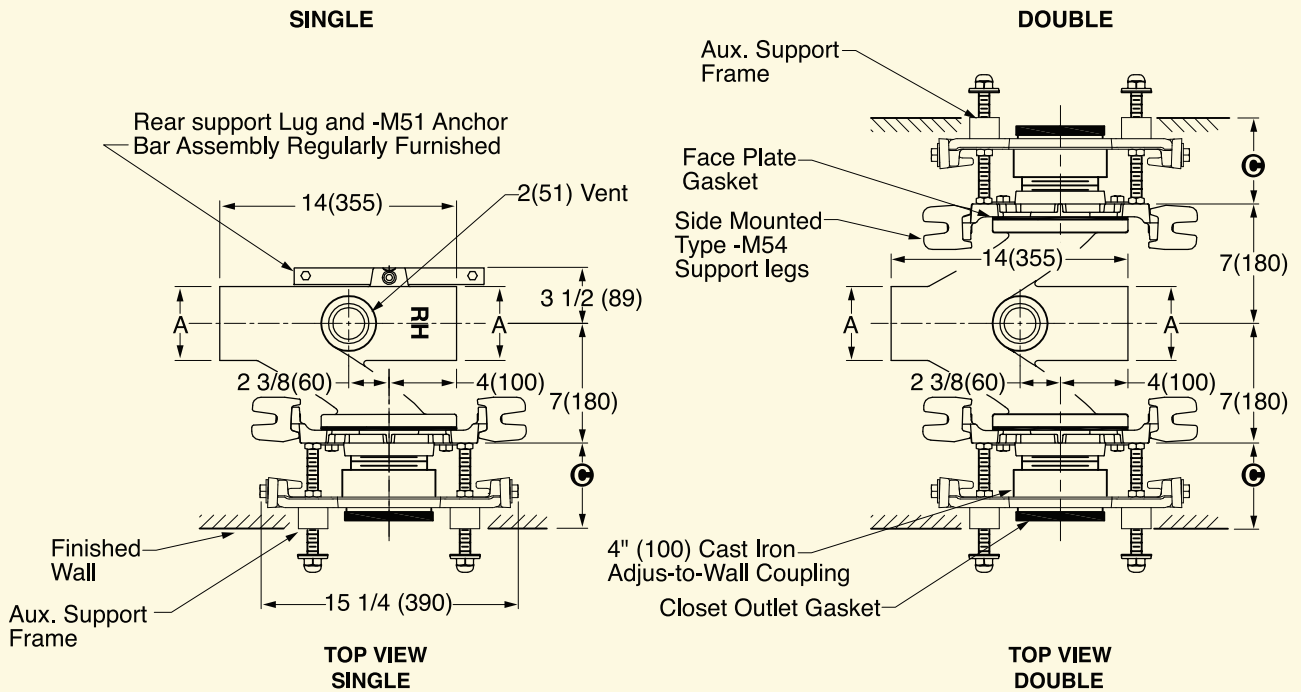
0211Y-M54-XK
Bariatric Duty, 1000 LBS



- Provides corresponding performance up to 1000 pounds behind the wall.
- Complies with and/or exceeds all requirements of ASME A112.61M up to 1000 (static load) pounds.
- Incorporates a newly designed M51 anchor bar and kit, and auxiliary support frame to strengthen support to 1,000 (static load) pounds. (Auxiliary support frame is to be positioned directly behind the finished wall).
- The use of a wall mounted toilet provides a hygienic environment by keeping the fixture off the floor.
- Designed for new or retro-fit construction and fits standard wall mounted toilet installation using 5/8" studs.

**ADJUSTABLE FIXTURE SUPPORTS
 FOR SIPHON JET WATER CLOSETS
 BARIATRIC DUTY - 1000 LBS. (454 KG)**

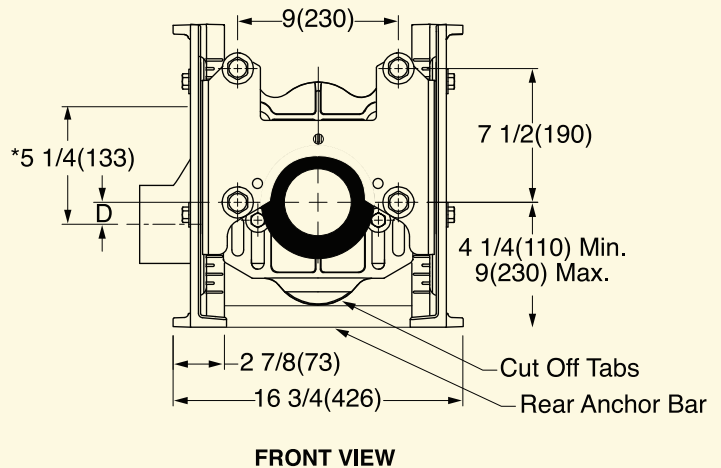
Figure Number 0211Y-M54-XK



NOTES:

1. Base support must be securely anchored to floor with 1/2"(13) anchors able to withstand a pull-out force of 500 lbs (227 kg). The rear anchor bar must be securely anchored to floor with 1/2"(13) anchors able to withstand a pull-out force of 1000 lbs (454 kg). Pull-out forces are calculated values, no safety factor has been applied.
2. Dimensions shown in parentheses are in millimeters.
3. *Dimension to top of vent.

A SIZE	D	
	MIN	MAX
4(100)	5/8(16)	3 3/8(87)



Ⓢ Dimension = 4 1/4"(110) to 5 1/4"(135) with regularly furnished 4 1/2"(115) cast iron nipple and Adjus-to-Wall coupling.

Jay R. Smith 0211Y-M54-XK complies with and/or exceeds all requirements of ASME A112.6.1M up to 1000 lbs.



JAY R. SMITH MFG. CO.
MEMBER OF MORRIS GROUP INTERNATIONAL

JAY R. SMITH MFG. CO.

Plumbing and Drainage Products
P.O. Box 3237 • Montgomery, AL 36109-0237
Tel: 800-467-6484 • 334-277-8520
www.jrsmith.com



**MORRIS GROUP
INTERNATIONAL**

www.morrisgroup.co

**Innovative Spirit and
Engineering Foundation**

"What sets us apart from competitors is our engineering and spirit. We have a can-do' spirit. If you ask us to do something, we will do it or figure out how to do it. That's the part our customers like, that's the part we like."

- Don Morris, President and CEO

SPM0376-1305

MORRIS GROUP INTERNATIONAL



ACORN ENGINEERING COMPANY

Engineered Plumbing Products
P.O. Box 3527 • City of Industry, CA 91744-0527 U.S.A.
800-488-8999 • 626-336-4561
www.acorneng.com



ACORN-GENCON PLASTICS, LLC

Injection Molded Products
13818 Oaks Avenue • Chino, CA 91710 U.S.A.
Tel: 909-591-8461
www.acorn-gencon.com



ACORNVAC, INC.

Vacuum Plumbing Systems
13818 Oaks Avenue, Chino, CA 91710 U.S.A.
Tel: 800-591-9920 • Tel: 909-902-1141
www.acornvac.com



CHRONOMITE LABORATORIES, INC.

Tankless Electric Water Heaters
P.O. Box 3527 • City of Industry, CA 91744-0527 U.S.A.
Tel: 800-447-4962
www.chronomite.com



ELMCO GROUP

Manufacturer Representatives
P.O. Box 3787, City of Industry, CA 91744 U.S.A.
Tel: 626-333-9942
www.morrisgroup.co



MORRIS INDUSTRIES MEXICO, S. DE R.L. DE C.V.

Central and Latin America Manufacturing and Sales
Maquiladoras #1387-1 Col.Cd. Industrial Tijuana, B.C., C.P. 22444
Tel: 011-52-664-623-4580
www.morrisgroup.co



MORRIS PROPERTY MANAGEMENT COMPANY

Construction, Interior Design, Landscaping and Maintenance
15058 Proctor Avenue • City of Industry, CA 91746 U.S.A.
Tel: 626-855-4888
www.morrispropertiesmgt.com



MURDOCK MANUFACTURING

Drinking Fountains and Hydrants
P.O. Box 3527 • City of Industry, CA 91744-0527 U.S.A.
Tel: 800-45-DRINK • 626-333-2543
www.murdockmfg.com



POTTER ROEMER

Fire Protection Equipment
P.O. Box 3527 • City of Industry, CA 91744-0527 U.S.A.
Tel: 800-366-3473
www.potterroemer.com



WHITEHALL MANUFACTURING

Hospital and Rehabilitation Products
P.O. Box 3527 • City of Industry, CA 91744-0527 U.S.A.
Tel: 800-782-7706 • 626-968-6681
www.whitehallmfg.com