

# RANTE-ARROW

## Enviro-Flo® II Trench Drain Channel Support

A Contractor's Best Friend. Easy to Handle and Install.

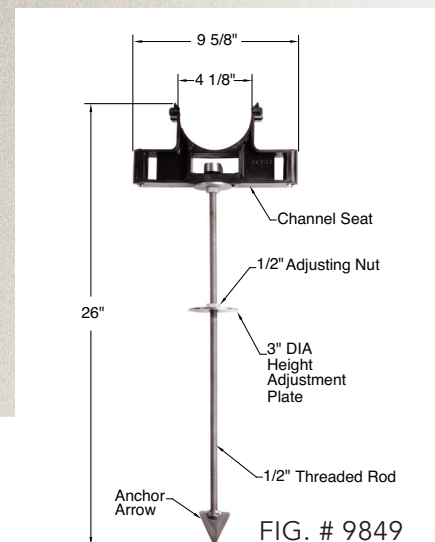
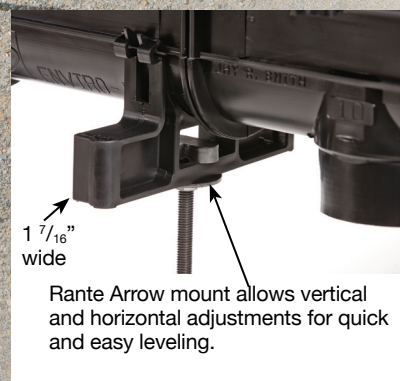


### Function:

The 9849 Rante-Arrow is designed for use with the 9930 and 9931 Enviro-Flo II Trench Drain systems. The 9849 Rante-Arrow firmly anchors the channel system in most sub-base conditions, eliminating flotation and allowing for a monolithic pour.

### Product Features:

- Only one anchor support required per trench drain channel.
- An entire system can be installed by one person with the Rante-Arrow.
- Allows for easy and precise adjustment of each channel during installation prior to concrete pour.
- A built-in leveling device requires only one person to adjust channel height.
- Firmly anchors the trench drain system in many different sub-grade terrains including hard pan and compacted gravel.



# RANTE DOUBLE ARROW

## Smith/ACO Trench Drain Channel Support



FIG. # 9869-D

The Rante Double Arrow installation device supports and holds channel ends together, allowing vertical and horizontal adjustment to Smith/ACO Trench Drain Series channels. Suitable for use with 9814, 9816, 9818 and 9820 systems only.

### Product Features:

- Supports and holds two (2) channel ends together.
- Allows for vertical and horizontal adjustment to the Smith/ACO Trench Drain Series.
- Allows monolithic pour of concrete.

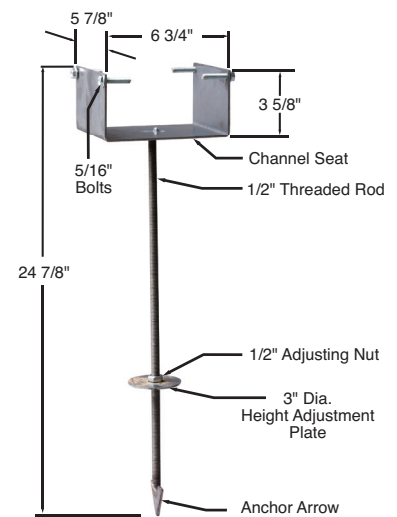


FIG. # 9869-D



**JAY R. SMITH MFG. CO.**  
MEMBER OF MORRIS GROUP INTERNATIONAL

[www.jrsmith.com](http://www.jrsmith.com)

P.O. Box 3237 • Montgomery, AL 36109 • TEL: 334.277.8520



**MORRIS GROUP**  
INTERNATIONAL  
[www.morrisgroup.co](http://www.morrisgroup.co)

SPM0166-1405