



JAY R. SMITH MFG. CO.
MEMBER OF MORRIS GROUP INTERNATIONAL

ACORN ENGINEERING CO.
DELUXE STAINLESS
PORTABLE SINK
MODEL NO. PS1115



HAND WASH ANYWHERE!

WITH THE SMITH® INSTA-DRAIN™ RETROFITTABLE CLEANOUT ADAPTER FITTING!



RETROFITTABLE

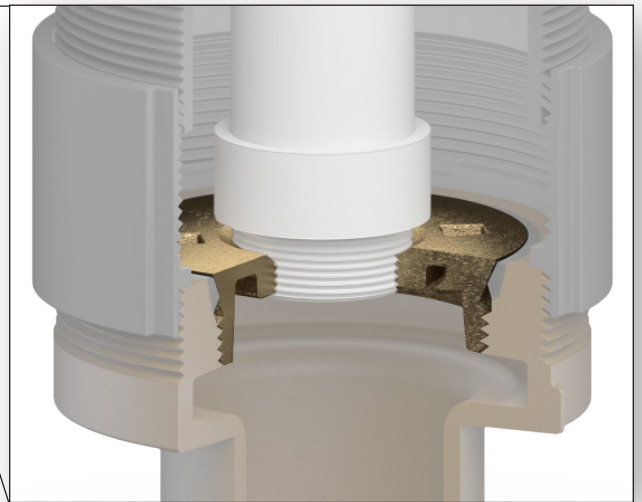
LEVERAGE EXISTING SMITH CLEANOUTS TO ADD DRAINAGE.

CLEANOUT

SWAP ADAPTER ON AND OFF AS NECESSARY.

ADAPTER

QUICK AND EASY INSTALL.



GASKET SEAL ADAPTER PLUG
FIGURE NO. 4001P-NS-N15

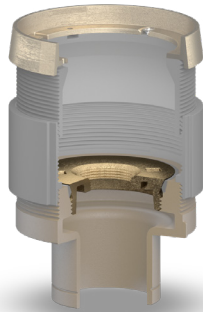
It's so important to have hand washing where people gather. Drainage should never hinder these efforts. The ingenious Insta-Drain from Jay R. Smith Mfg. Co. is designed to convert Smith® cleanouts to accommodate drainage from portable sinks, and easily revert back to their original function when hand washing needs change.

SIMPLE 4-STEP PROCESS

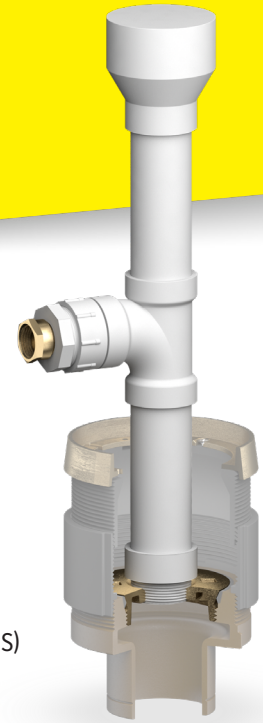
THAT'S IT!

TO RETROFIT A SMITH CLEANOUT...

1. REMOVE COVER
2. REMOVE EXISTING PLUG AND SAVE
3. INSTALL ADAPTER PLUG



4. CONNECT PIPING (BY OTHERS)
BETWEEN SINK AND DRAIN



GASKET SEAL ADAPTER PLUG
FIGURE NO. 4001P-NS-N15



NPT ADAPTER PLUG
FIGURE NO. 4003P-4NS-N15

WORKS WITH MOST SMITH CLEANOUT UP TO 4" CONNECTION SIZE!

**COMPATIBLE WITH MOST PORTABLE SINKS, INCLUDING ALL
ACORN® DELUXE AND ECO PORTABLE WASH-WARE® UNITS!**

TO RETROFIT A SMITH FLOOR DRAIN...

1. REMOVE GRATE
2. SECURE FUNNEL TO GRATE
3. REINSTALL GRATE
4. RUN PIPING (BY OTHERS) FROM SINK TO CONNECT TO FUNNEL

FIGURE NO. 3591-NS FUNNEL

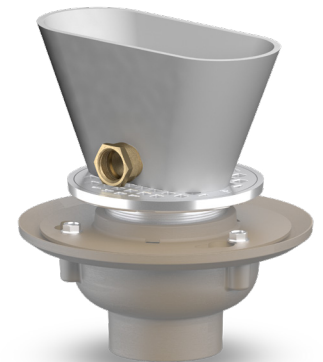


FIGURE NO. 2005Y03-A06 DRAIN
(ILLUSTRATED)



JAY R. SMITH MFG. CO.
MEMBER OF MORRIS GROUP INTERNATIONAL

WWW.JRSMITH.COM

2781 GUNTER PARK DR. EAST
MONTGOMERY, AL 36109-1405 USA
(334) 277-8520


MORRIS GROUP
INTERNATIONAL®

SPM 0913 0820